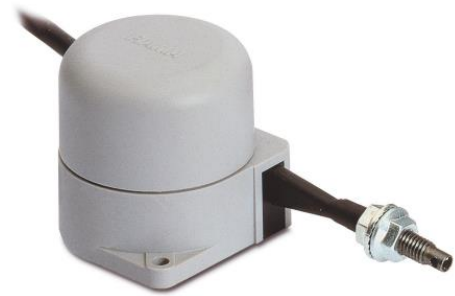


Datasheet

- Easy and powerful measurement system in combination with pulse counters or display
- To linear and angular movements as Tool automatic, wooden, marble glass processing machines, cylinder, hydraulic or pneumatic tire, effective stroke, trapdoors, etc.
- Version
 PF: precision rotating potentiometer
- Easy mounting
- Impact resistant and self-extinguishing housing
- Resistance to solvents, gasoline, oil and grease



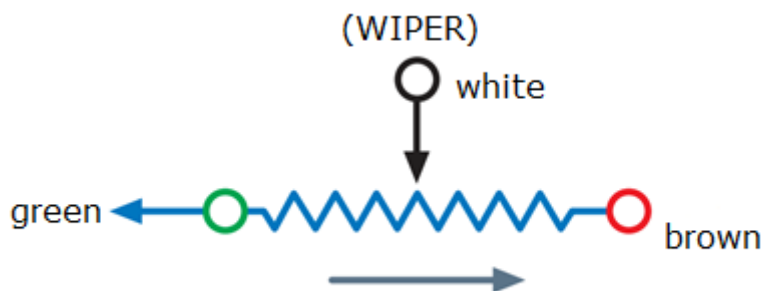
Mechanical Data

Version	PF50	PF100	PF200	PF300	PF500	PF700	PF900
Measuring Length [mm]	0-50	0-100	0-200	0-300	0-500	0-700	0-900
Available Stroke [mm]	60	101	220	360	508	730	930
Number of Cycles	500.000			400.000		250.000	
Linearity	±0,25 %						
Color	gray RAL 7004						
Wight	180 g						
Speed	<0,5 m/s						
Wire Strength	< ~2,4 N						
Operating Temperature	-10 to 70°C						
Relative Humidity	10 to 90 %						
IP-Rating	IP54						

Electrical Data

Resistance	10 KΩ ±10%	
Power Capacity	<1 W	
Electrical Connection		
Cable Length [m]	2,5,10	
Electromagnetic compatibility	2004/108/CE	
Optional		
analog Output	I	= 4-20 mA
	V	= 0-10 VDC

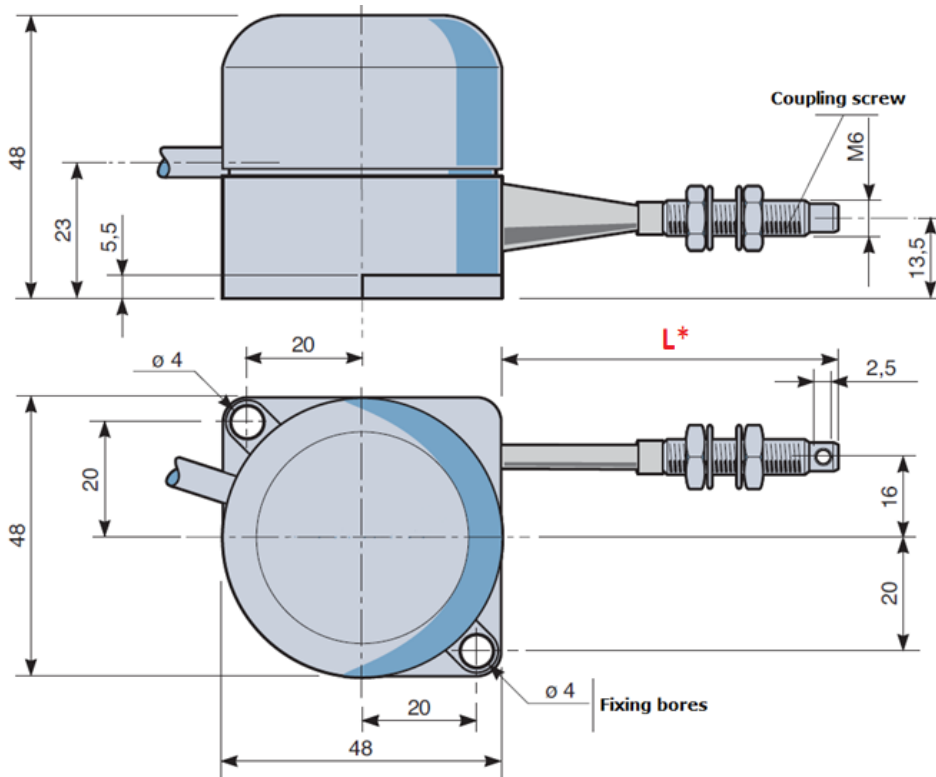
Circuit Diagram





Datasheet

Dimension



Version	L*
PF50	46
PF100	46
PF200	46
PF300	46
PF500	55
PF700	55
PF900	55

Ordering Example

Type	PF	-	200	-	2	-	I
Measuring Length							
50							
100							
200							
300							
500							
700							
900							
Cable Length							
2							
5							
10							
Analog Output							
T-	= with Analog Output (optional)						
I	= 4-20 mA						
V	= 0-10 VDC						