



- Diaphragm element
- Smallest measuring range 0...50 Pa
- Digital display 3 1/2 digits
- Analogue output 0...10 V and 4...20 mA
- Supply voltage 230 Vac, 24 Vac or 24 Vdc
- Protection class IP 65
- Also available as two-wire-transmitter (PERITACT 2000-2L)

Manometer with diaphragm element for indication of pressure, under pressure or differential pressure of non aggressive gas.

Overload protection: min. up to 10-times the measuring range
 Static pressure: max. 0.2 bar

Zero drift: ± 0.75 %
 Sum of linearity and hysteresis: ± 1% of measuring range
 Temperature drift zero point: ± 0.3 % / 10 K
 Temperature drift measuring range: ± 0.2 % / 10 K

PERFORMANCE:

min. up to 10-times the measuring range

ACCURACY / ERROR LIMIT:

± 0.75 %
 ± 1% of measuring range
 ± 0.3 % / 10 K
 ± 0.2 % / 10 K

TECHNICAL SPECIFICATIONS:

Operating mode: Measuring mode
 Measuring medium: Air or non-aggressive gases
 Measuring principle: diaphragm measuring system
 Measuring unit: Pa

Smallest measuring range: 0...50 Pa (0.5 mbar)
 Largest measuring range: 0...10000 Pa (60 mbar)
 Measuring range: 0...50 Pa (0.5 mbar), 0...100 Pa (1 mbar), 0...200 Pa (2 mbar), 0...400 Pa (4 mbar), 0...500 Pa (5 mbar), 0...1000 Pa (10 mbar), 0...2000 Pa (20 mbar), 0...4000 Pa (40 mbar), 0...5000 Pa (50 mbar), 0...6000 Pa (60 mbar), 0...10000 Pa (100 mbar)

Measuring range selection: factory preset
 Damping: adjustable in 3 steps
 Ambient temperature: -10...+50 °C
 Storage temperature: -25...+60 °C
 Setpoint setting: 2 Setpoint pointer adjustable over the full scale range, per limit value 1 Output relay with potential-free change-over contact

Contact load: 250 Vac, 6A, induction-free load

PHYSICALLY:

Housing: Ultramid/ABS, black / grey
 Dimensions: 122 x 120 x 85 mm (wxhxd)
 Weight: approx. 900 g
 Protection class: IP65 according EN 60529
 Display: 3 1/2-digit digital LCD display, digit height 13 mm
 Scaling: Screw terminals, cable entry: 2 x M16 x 1.5
 Pressure connections: Hose connections 8 mm ø

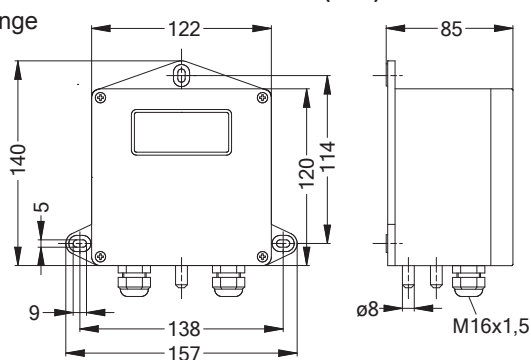
ELECTRONIC:

Power supply: 230 Vac, 24 Vac or 24 Vdc
 Output: 0...10 V and 0...20 mA via DIP switch switchable to 4...20 mA

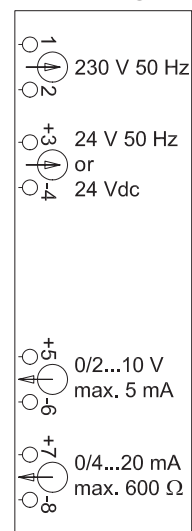
CONFORMITY:

EMC: EN 61000-6-2, EN 61000-6-3, CE-mark
 RoHS: according RoHS-directive 2011/65/EU

Dimensions (mm)



Connection diagram



Item no.

Low pressure transmitter Peritact 2000 2460

Measurement range & signal output: **Customer-specific presetting required!**
 Output: 0...10 V, 0/4...20 mA, supply voltage: 230 Vac, 24 Vac or 24 Vdc

2-wire transmitter Peritact 2000-2L 2470

Measurement range: **Customer-specific presetting required!**
 Output: 4...20 mA, supply voltage 13...30 Vdc

ACCESSORIES

Mounting set with screws, plastic-pressure taps, 2 m plastic hose (7 x 1.5 mm) 24602

Assembly frame for panel mounting incl. all mounting hardware 24605

Test certificate 24603

SURCHARGE

Special measuring range e.g. -20...0...+80 Pa 24601

LOW PRESSURE TRANSMITTER PERITACT 2000-K



- Diaphragm element
- Smallest measuring range 0...50 Pa
- Backlit LCD display with 4 lines of 20 characters
- Analogue output 0...10 V and 4...20 mA
- 2 switching output signals potential free
- Switching function min. or max.
- Supply voltage 230 Vac, 24 Vac or 24 Vdc
- Protection class IP 65

Manometer with diaphragm element for indication of pressure, under pressure or differential pressure of non aggressive gas. Also for air flow measurement according to the Differential Pressure or dynamic pressure method with square-root characteristic.

PERFORMANCE:

Overload protection: min. up to 10-times the measuring range
Static pressure: max. 0.2 bar

ACCURACY / ERROR LIMIT:

Zero drift: $\pm 0.75\%$
Sum of linearity and hysteresis: $\pm 1\%$ of measuring range
Temperature drift zero point: $\pm 0.3\%$ / 10 K
Temperature drift measuring range: $\pm 0.2\%$ / 10 K

TECHNICAL SPECIFICATIONS:

Operating mode: Measuring mode with limit contacts
Measuring medium: Air or non-aggressive gases
Measuring principle: diaphragm measuring system
Measuring unit: Pa
Smallest measuring range: 0...50 Pa (0.5 mbar)
Largest measuring range: 0...10000 Pa (60 mbar)
Measuring range: 0...50 Pa, 0...100 Pa, 0...200 Pa, 0...400 Pa, 0...500 Pa, 0...1000 Pa, 0...2000 Pa, 0...4000 Pa, 0...5000 Pa, 0...6000 Pa, 0...10000 Pa
Measuring range selection: factory preset
Damping: pressure - linear, volume - square rooted
Ambient temperature: -10...+50 °C
Storage temperature: -25...+60 °C
Switching function: min. or max. for each contact
Adjustable switching ranges: 0 ... 100% measuring range
Switching outputs: 2 potential-free change-over contacts
Switching delay: adjustable 0 ... 20 s
Contact load: 250 Vac, 8 A induction-free load

PHYSICALLY:

Housing: Ultramid/ABS, black / grey
Dimensions: 122 x 120 x 85 mm (wxhxd)
Weight: approx. 900 g
Protection class: IP65 according EN 60529
Display: Illuminated LCD display - 4 lines, 20 characters
Scaling: Screw terminals, cable entry: 2 x M16 x 1.5
Pressure connections: Hose connections 8 mm \varnothing

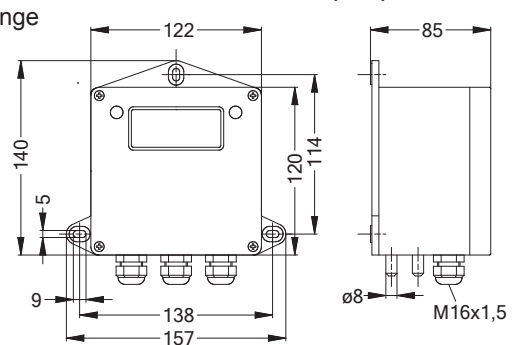
ELECTRONIC:

Power supply: 230 Vac, 24 Vac or 24 Vdc
Power consumption: approx. 1.5 VA
Output: 0...10 V and 0...20 mA via DIP switch switchable to 4...20 mA

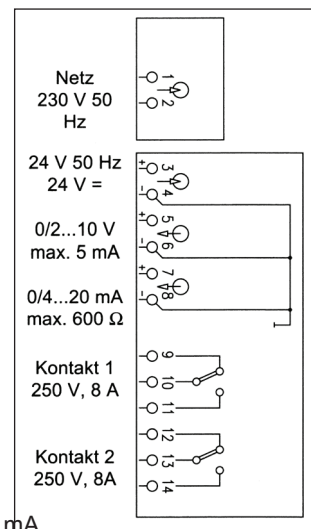
CONFORMITY:

EMC: EN 61000-6-2, EN 61000-6-3, CE-mark
RoHS: according RoHS-directive 2011/65/EU

Dimensions (mm)



Connection diagram



Item no.

Low pressure transmitter Peritact 2000-K

2480

Measurement range & signal output: **Customer-specific presetting required!**

Output: 0/2...10 V and 0/4...20 mA, 2 changeover contacts 250 Vac, 8 A non-inductive
Supply voltage: 230 Vac, 24 Vac or 24 Vdc

ACCESSORIES

Mounting set with screws, plastic-pressure taps, 2 m plastic hose (7 x 1.5 mm)

24602

Assembly frame for panel mounting incl. all mounting hardware

24605

Test certificate

24603

SURCHARGE

Special measuring range e.g. -20...0...+80 Pa

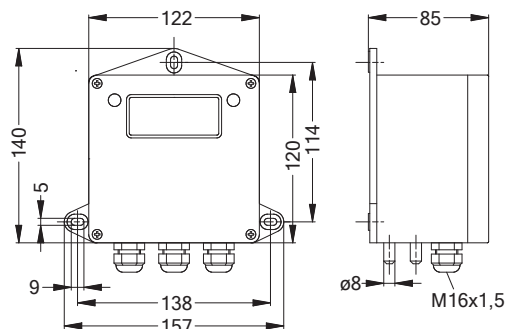
24601



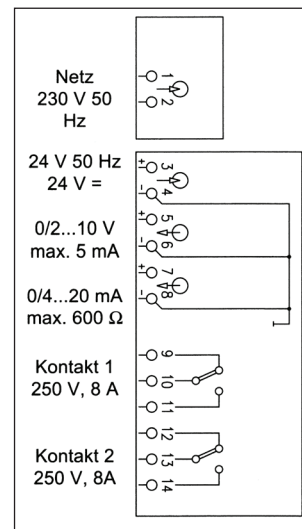
- Dynamic micro flow sensor
- Smallest measuring range 0...10 Pa
- Analogue output 0...10 V and 0/4...20 mA
- 2 outputs with change-over contacts 250V, 8A
- Characteristic linear or square-rooted
- LCD-Display with 4 lines of 20 characters
- Contact function min. or max.
- Supply voltage 230 Vac, 24 Vac or 24 Vdc
- Protection class IP 65

Manometer with diaphragm element for indication of pressure, under pressure or differential pressure of non aggressive gas. Thanks to the measuring principle, the device is irrespective of position and has an extremely high zero-point security with the smallest measuring ranges. Thereby, it is particularly suitable for air flow measurement according to the "Differential pressure" or "dynamic pressure" method with square-root characteristic. No negative pressure measurement possible.

Overload protection:	PERFORMANCE: min. up to 10-times the measuring range
Static pressure:	max. 0.2 bar
Zero drift:	ACCURACY / ERROR LIMIT: ± 0.75 %
Sum of linearity and hysteresis:	± 1% of measuring range
Temperature drift zero point:	± 0.3 % / 10 K
Temperature drift measuring range:	± 0.2 % / 10 K
Operating mode:	TECHNICAL SPECIFICATIONS: Measuring mode with limit contacts
Measuring medium:	Air or non-aggressive gases
Measuring principle:	diaphragm measuring system
Measuring unit:	Pa or m ³ /h
Smallest measuring range:	0...50 Pa (0.5 mbar), resolution 11 Pa
Largest measuring range:	0...3500 Pa (35 mbar), resolution 11 Pa
Measuring range:	0...10 Pa, 0...20 Pa, 0...50 Pa, 0...100 Pa, 0...200 Pa, 0...400 Pa, 0...500 Pa, 0...1000 Pa, 0...2000 Pa, 0...3000 Pa, 0...3500 Pa
Measuring range selection:	factory preset
Characteristics:	linear or square rooted
Damping:	selectable 0, 1, 2, 4, 8, 16, 32 s
Ambient temperature:	-10...+50 °C
Storage temperature:	-25...+60 °C
Switching function:	min. or max. for each contact
Adjustable switching ranges:	0 ... 100% measuring range
Switching outputs:	2 potential-free change-over contacts
Switching delay:	adjustable 0 ... 20 s
Contact load:	250 Vac, 8 A induction-free load
Housing:	PHYSICALLY: Ultramid/ABS, black / grey
Dimensions:	122 x 120 x 85 mm (wxhxd)
Weight:	approx. 900 g
Protection class:	IP65 according EN 60529
Display:	Illuminated LCD display - 4 lines, 20 characters
Scaling:	Screw terminals, cable entry: 2 x M16 x 1.5
Pressure connections:	Hose connections 8 mm ø
Power supply:	ELECTRONIC: 230 Vac, 24 Vac or 24 Vdc
Power consumption:	approx. 1.5 VA
Output:	0/2...10 V and 0/4...20 mA



Connection diagram



Item no.

Low pressure transmitter PERITACT 2000-K10

2490

Measurement range & signal output: **Customer-specific presetting required!**

Output: 0/2...10 V and 0/4...20 mA, 2 changeover contacts 250 Vac, 8 A non-inductive

Supply voltage: 230 Vac and 24 Vdc

ACCESSORIES

Mounting set with screws, plastic-pressure taps, 2 m plastic hose (7 x 1.5 mm)

24602

Assembly frame for panel mounting incl. all mounting hardware

24605

Test certificate

24603

SURCHARGE

Special measuring range e.g. 0...6000 Pa (no negative pressure measurement possible)

24601