



Technical data

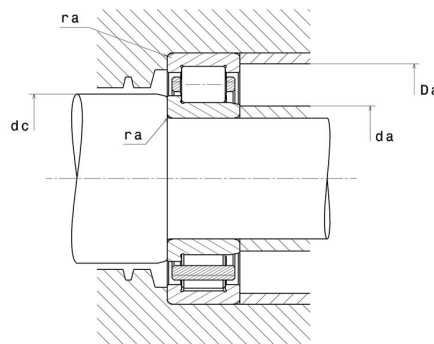
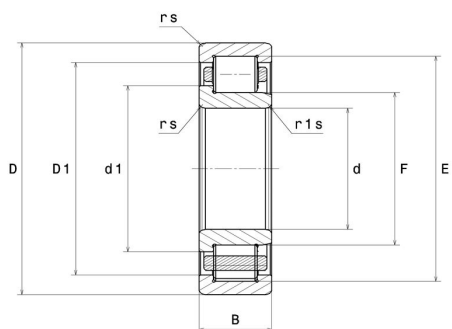
NJ206EAT2X

Single row cylindrical roller bearings

Single row cylindrical roller bearing, single direction for axial loads, separable, polyamide cage.

ULTAGE

Visual(s)



Product definition

d	30 mm
D	62 mm
B	16 mm
E	55.5 mm
F	37.5 mm
d1	41.1 mm
rs min	1 mm
r1s min	0.6 mm
Radial clearance class	CN
Mass (without HJ ring)	0.21 kg
Brand	NTN

Product performance

Dynamic load, C	46 kN
Static load, C0	37.5 kN
Nlim (oil)	15,600 Tr/min
Nlim (grease)	11,000 Tr/min
Min operating temperature, Tmin	-20 °C
Max operating temperature, Tmax	120 °C
Characteristic cage frequency, FTF	0.4 Hz
Characteristic rolling element frequency, BSF	4.97 Hz
Characteristic outer ring frequency, BPF0	5.24 Hz
Characteristic inner ring frequency, BPFI	7.76 Hz

Abutment dimensions

da min	34 mm
da max	37 mm
dc min	44 mm
Da max	57 mm
ra max	1 mm
r1a max	0.6 mm

Calculation factors

Equivalent dynamic radial load

$$P = Fr$$

Equivalent static radial load

$$Po = Fr$$