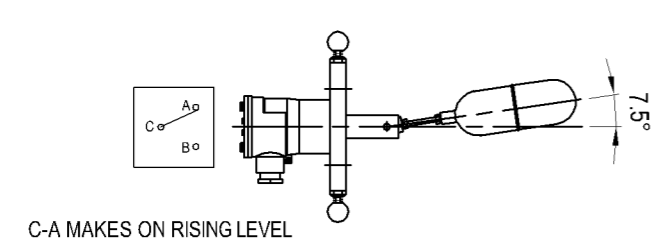
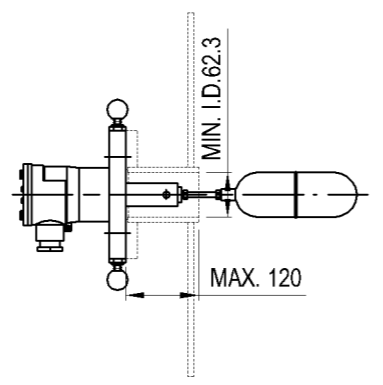


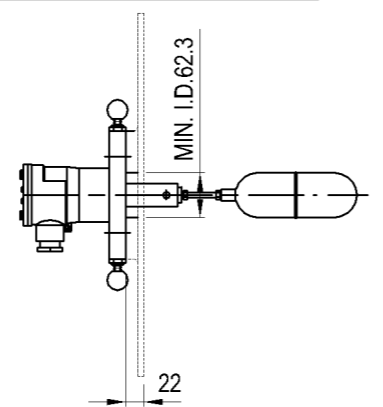
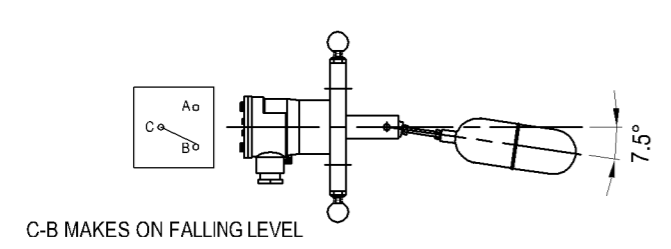
WIRING DIAGRAM



SLIP-ON FLANGE INSTALLATION



SET-ON FLANGE INSTALLATION



TECHNICAL DATA	
ENCLOSURE	IP 56
WEIGHT	3.9 KG
PERMISSIBLE AMB. TEMP.	60°C
MAX. WORKING TEMP.	180°C
LIQ. SG.	0.65 ~ 1.3
MAX. WORKING PRESSURE	10.0 BARG MAX.
SWITCH TYPE	MICRO SWITCH
CONTACT FORM	SPDT
CONTACT RATING	250 VAC, 16A
PAINT COLOR	7.2 B67/2 K-TYPE

Item	Qty	Id. no	Description	Drng. no./Type	Material
5	1		CABLE GLAND	20a	BS
4	1		FLOAT		SUS 304
3	1		FLANGE	A65/5K, DN65/PN6	SS 41
2	1		HOUSING		ADC
1	1		COVER		ADC

R. Zone		R.O.no.	Sign./Date	Ctrl	Project. used	Original Scale	Prod. rel.	AJG	07 Apr 10
<p>This drawing is our property. It is not to be traced, copied or published without our written consent, nor to be misused in any way.</p>							Status	Sign.	Date
							Constr.	AJG	07 Apr 10
							Drawn by	JEOE	07 Apr 10
							Checked	AJG	07 Apr 10
							Prot. rel.		
							Prod. rel.	AJG	07 Apr 10

1:2

Frank Mohn AS

HORIZONTAL INST. LEVEL SWITCH WITH TEST LEVER

Replaces: **0110-0081-2**

Replaced by: