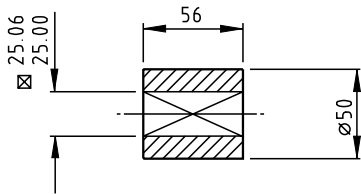
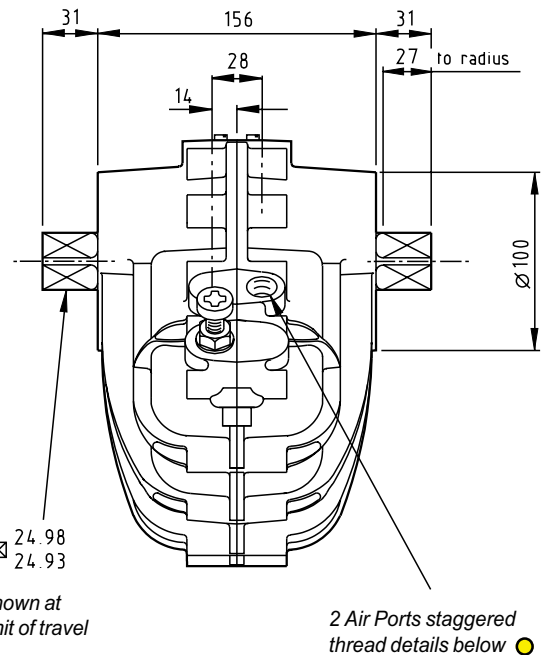
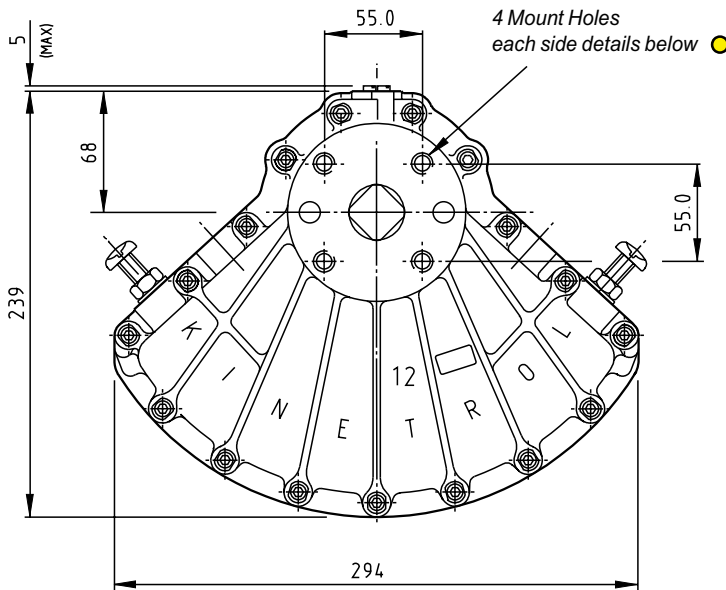


model 12

- Output torque** 5000 lbf.ins/575 Nm at 100 psi/7 bar
 - Angle of travel** 80° - 102°
(restricted travel versions available to order)
 - Displaced volume** 86 in³/1410 cm³
 - Finish** Epoxy stove enamel
 - Weight** 26.2 lb/11.9 kg (excluding coupling)
- For further information see General Specification, page 41.



STANDARD COUPLING
(supplied with actuator weight 1.3 lbs/0.6 kg)



Shown at limit of travel

2 Air Ports staggered thread details below

options

- Fail safe spring return units - clockwise or counter clockwise
- Limit switch boxes for open/close indication - various switches for all hazardous areas
- Integral solenoid valve
- AP pneumatic positioner - full range of options see pages 7 & 8
- EL electropneumatic positioner - full range of options see pages 11 & 12
- 3 stop positioner
- 180° model
- Geared manual override
- Female drive and mounting details to DIN 3337 and ISO 5211

- Code identification see page 32
- Torque outputs see pages 39/40
- Size details of options see pages 6/14/17/35/36/37/38

● Air Ports/Mount Holes

Model	Air Ports	Mount Holes
120-100	G ³ / ₈ "	M12 x 24 deep x 77.8 PCD
128-100	G ³ / ₈ "	M12 x 24 deep x 77.8 PCD
129-100	3/8" NPT	1/2"-20 UNF x 15/16" deep on 3.06" PCD