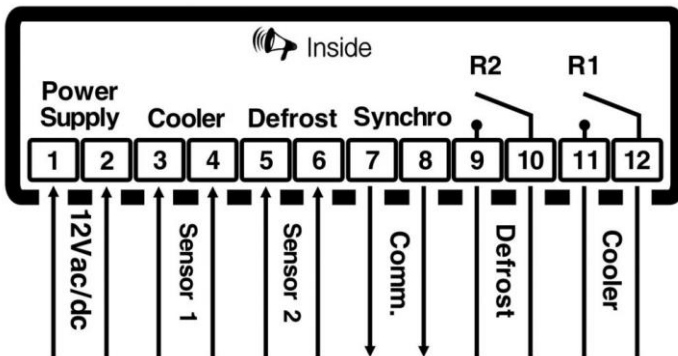


Aum-2KNSi



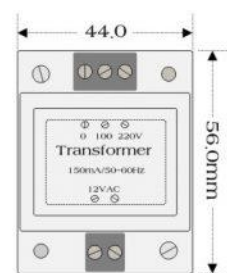
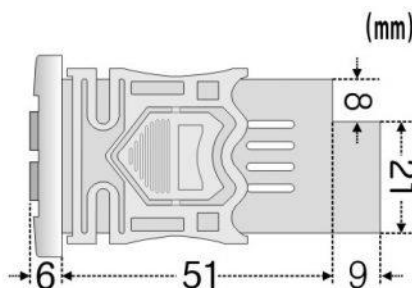
Product connection



Panel Punching size

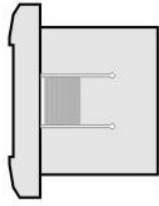


Product Size – Main Unit



Height : 46mm
Weight : 160g

Product Size – External Display



전면부 : 32.0x54.0xD,17.0mm
타공치수 : 26.0x46.5mm

Features	<ul style="list-style-type: none"> Cooling control output (refrigerator) Defrost output (automatic/manual) Defrost method electric heater/hot gas) Defrost schedule (time period) Defrost output linkage, Temperature sensor error check
Temperature range	-40.0°C to 50.0°C
Resolution	0.1 °C
Output	On/Off relay 2EA (5A)
Input sensor	NTC 5kΩ, 25°C 2EA
Power Supply	Trans external 12V AC/DC, 24V DC (option)
Housing	ABS incombustibility grade V0
Dimension	H80 × L38 × D66 (mm) (Main unit) H80 × L40 × D77 (mm) (External display)