

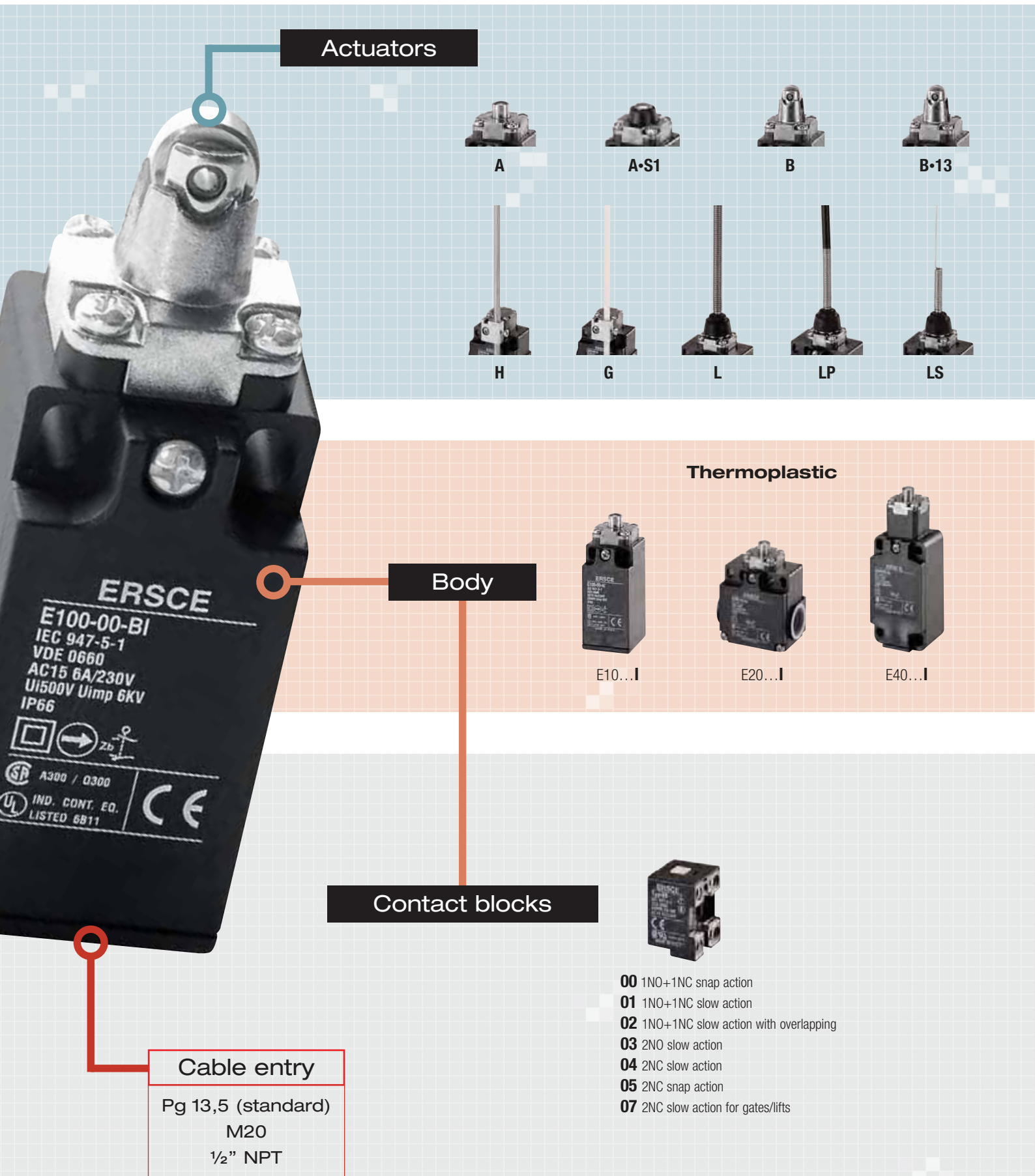


**ERSCE**  
E100-00-B1  
IEC 947-5-1  
VDE 0660  
AC15 6A/230V  
UI500V Uimp 6kV  
IP66  
A308 / 0300  
IND. CONT. EQ.  
LISTED 6811

**ERSCE**  
E400-00-B1  
IEC 947-5-1  
VDE 0660  
AC15 6A/230V  
UI500V Uimp 6kV  
IP66  
A308 / 0300  
IND. CONT. EQ.  
LISTED 6811

Limit switches







**Metal**



**Part no. structure**

**E10 0 00 A I S1**

**Series**

- E100** 1 Cable entry, thermoplastic/metal
- E200** 2 cable entries, thermoplastic
- E300** 3 cable entries, metal
- E400** 1 Cable entry, thermoplastic/metal

**Cable entry**

- 0** Pg 13,5 (standard)
- 1** M20
- 2** 1/2" NPT

**Contact blocks**

- 00** 1NO+1NC snap action
- 01** 1NO+1NC slow action
- ...**

**Options**

- S1** With rubber gasket
- 50** With roller Ø50 mm
- 13** With roller Ø13 mm
- C** For gates/lifts
- 50C** With roller Ø50 mm for gates/lifts
- RA** With steel roller

**Body material**

- I** Thermoplastic
- M** Metal

**Actuator type**

- A** Steel plunger
- B** Steel roller plunger
- ...**

Note: Please verify the effective availability of a product before ordering.



**General characteristics**

The position switches are ERSCE's main product, and are the result of more than 40 years of experience in industrial automation. They are suitable for use in the most different environmental conditions, thanks to their solid construction, IP66 certified, and proven reliability over decades of fieldwork.

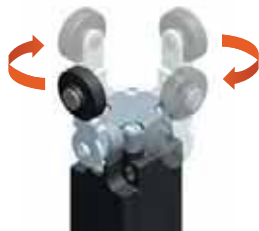


- thermoplastic or metal body
- IP66
- contact blocks with positive opening of the NC contact according to IEC EN 60947-5-1 e VDE 0660-200
- form conforming to EN 50047 (E100 series) and to EN 50041 (E400 series))



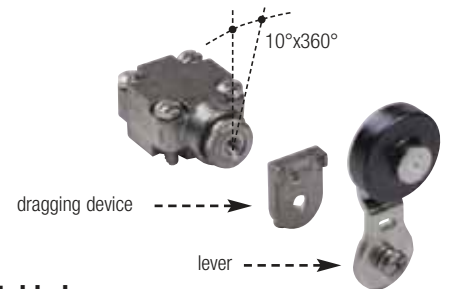
**Metal heads**

All the heads are made of metal, to ensure maximum performance and lifetime of the switch.



**Rotating heads**

Possibility to supply, on request, the limit switch lever rotated by 180° steps, and the actuator by 90° steps.



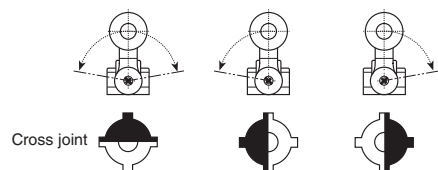
**Adjustable levers**

Possibility to adjust the lever every 10°, for 360°, by moving the lever and the dragging device.



**Overturning levers**

Possibility to fasten the lever on the straight or reverse side, maintaining the positive opening of the NC contact.



**Unidirectional heads**

The lever can be activated to the left or right only or in both directions by adjusting the cross joint.

## Technical data

Insulation resistance		500 V DC	MΩ	100	
Dielectric strength		50/60 Hz per 1' *	V AC	2500	
Rated insulation voltage	Ui	IEC947-5-1	V AC	500	
Rated thermal current	Ithe	IEC947-5-1	A	10	
Rated operating current		IEC947-5-1/EN60947-5-1			
Category AC15 A300	Ie	24 V	A	10	
		125 V	A	6	
		230 V	A	6	
		400 V	A	3	
Category DC13 Q300	Ie	24 V	A	6	
		48 V	A	4	
		120 V	A	1	
		250 V	A	0,4	
Contact resistance	IEC255-7 cat.3	initial value	mΩ	25	
Short circuit protective devices	IEC269 (IEC947-5-1)	gl or gG type fuse	A	10	
Rated conditionals short circuit current	IEC947-5-1		A	1000	
Pollution degree	IEC947-5-1			3	
Protection degree	EN 60529			IP66	
Protection against electric shock		plastic	class	II	
		metal	class	I	
Vibration resistance	IEC68-2-6	mm		0,35 ± 15% (10 ÷ 55 Hz ± 1 Hz)	
Shock resistance	IEC68-2-27	11 ms	g	30	
Mechanical life			cycles	15.000.000	
Electrical life	at 250 V AC 6A with resistance load cos φ=1		cycles	500.000	
	at 250 V AC 6A with inductive load cos φ=0,4		cycles	500.000	
Distance between contacts	snap action type		mm	2x1,25	
	low action type		mm	2x2	
Terminals	type			Screw with combined notch and retravtable plate (notch Ph. size 1)	
	screw			M	
	protection degree			IP20	
	material			Steel class 8,8/ Galvanized	
	max. screw tightening torque			cNm (Kg cm)	
	max connecting capacity	rigid cable		mm <sup>2</sup>	2x1,5
		flexible cable		mm <sup>2</sup>	2x1,5
with prod terminal			In accordance with EN50013		
Air ambient temperature		operational	°C	-35 ÷ +85 (without formation of ice)	
Relative humidity		operational		95% max	

\* between terminals of the same polarity; between terminals with different polarity; between live mechanical parts and ground; between live mechanical parts and non-current-carrying metal parts

## Approvals



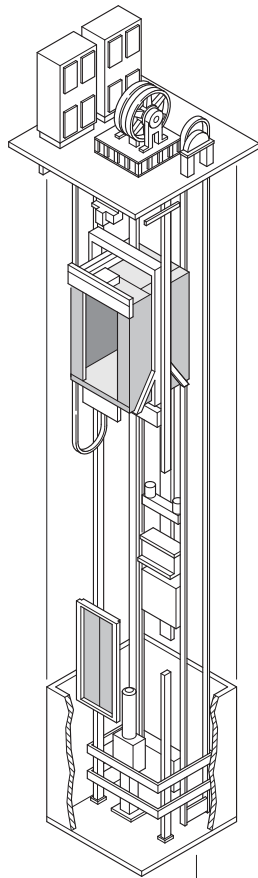
IEC EN 60947

E100	•	•	+
E200	•	•	+
E300	•	•	+
E400	•	•	+

- UL approval file E72861
- CSA approval file 026716-0-000
- Approved
- + Conforms to requirements

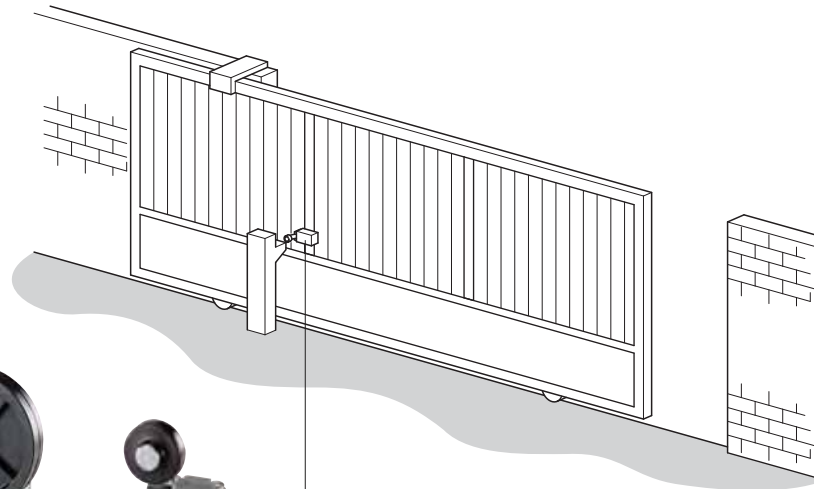
## Products for gates and lifts

For gates and lifts applications ERSCE provides a dedicated contact block, 2NC slow action with asymmetric working, to allow the detection of position and direction of the moving part. It is available for E100 and E200 series with metal actuators and thermoplastic or metal body.



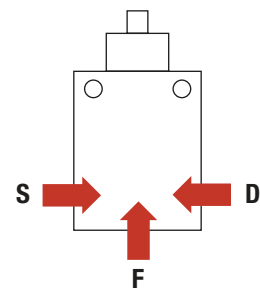
### In conformity with standards:

IEC EN 60947-5-1 • EN 60947-1 • UNI EN 1088 • EN ISO 12100-1  
EN ISO 12100-2 • IEC 529 • EN 60529 • VDE 0660-200 • VDE 0113



### Dedicated contact block

Dedicated contact block 07 for gates/lifts



### Cable entry

	F	S	D
E100	•		
E200		•	•

### Fixing

E100	20/22 mm
E200	20/22 and 40/42 mm

### Thread

Pg 13,5  
M20 (on request)  
1/2" NPT (on request)

### Series part no.

E100...	E200...
E101...	E201...
E102...	E202...



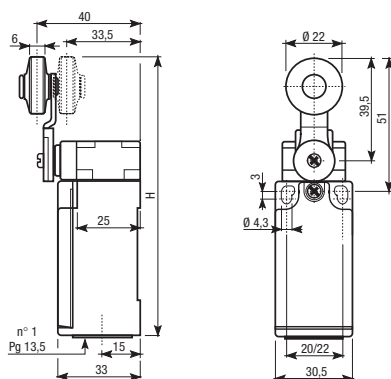
E•C

Thermoplastic roller lever

Contact block	
2NC slow action	<b>07</b>
Weight	kg
Pack	pcs
Cable entry	
H	mm

Thermoplastic	Metal	Contact travel
<b>E10007EIC</b>	<b>E10007EMC</b>	
0,135	0,225	
1		
Pg 13,5		
108,5	106	

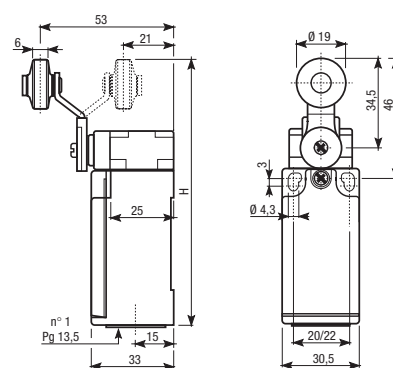
standard article     article on request



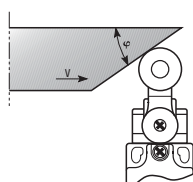
I•C

Thermoplastic roller lever

Thermoplastic	Metal	Contact travel
<b>E10007IIC</b>	<b>E10007IMC</b>	
0,130	0,225	
1		
Pg 13,5		
103,5	101	



Drive cam operating parameters



$\varphi$	V max (m/s)
30°	1,5
45°	1
60°	0,75
60-90°	0,25

Min. force (cNm)	
for tripping	15
for positive opening	35



**F•C**

**Thermoplastic roller variable length lever**

Contact block	
2NC slow action	<b>07</b>
Weight	kg
Pack	pcs
Cable entry	
H	mm

Thermoplastic	Metal	Contact travel
<b>E10007FIC</b>	<b>E10007FMC</b>	
0,150	0,240	
1		
Pg 13,5		
116÷156	113,5÷153,5	

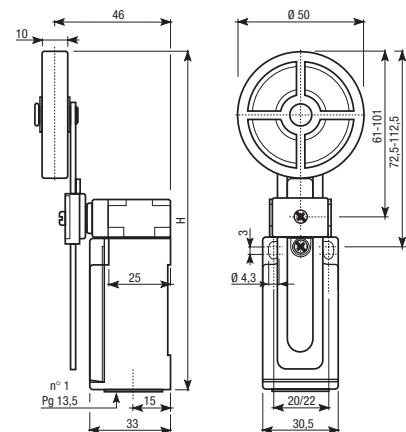
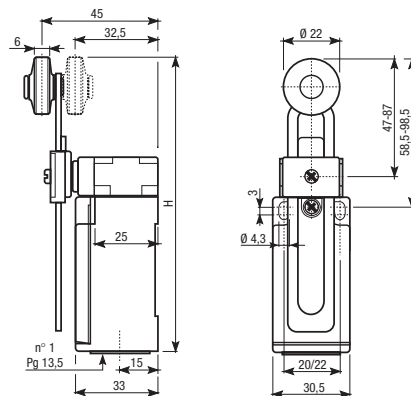


**F•50C**

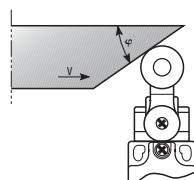
**Ø50 mm rubber roller variable length lever**

Thermoplastic	Metal	Contact travel
<b>E10007FI50C</b>	<b>E10007FM50C</b>	
0,160	0,250	
1		
Pg 13,5		
130÷170	127,5÷167,5	

standard article article on request



**Drive cam operating parameters**



$\varphi$	V max (m/s)
30°	1,5
45°	1
60°	0,75
60-90°	0,25

Min. force (cNm)	
for tripping	15
for positive opening	35



FR•50C

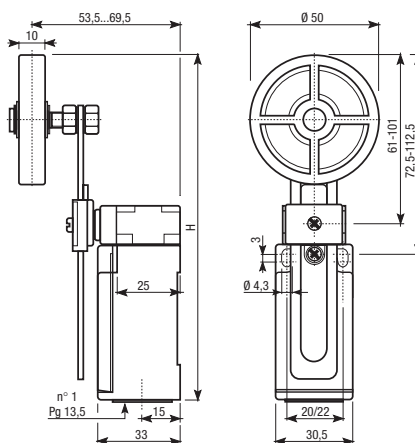


Ø50 mm rubber roller adjustable lever

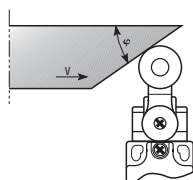
Contact block	
2NC slow action	<b>07</b>
Weight	kg
Pack	pcs
Cable entry	
H	mm

Thermoplastic	Metal	Contact travel
<b>E10007FRI50C</b>	<b>E10007FRM50C</b>	
0,170	0,250	
1		
Pg 13,5		
130÷170	127,5÷167,5	

standard article     article on request



Drive cam operating parameters



$\varphi$	V max (m/s)
30°	1,5
45°	1
60°	0,75
60-90°	0,25

Min. force (cNm)	
for tripping	15
for positive opening	35

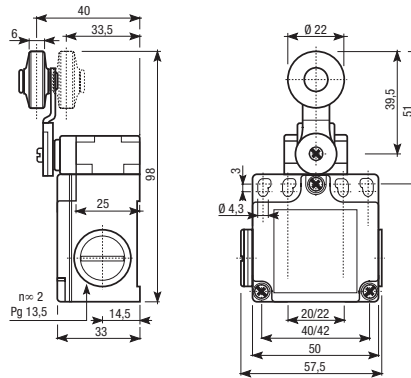


Thermoplastic roller lever

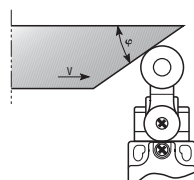
Contact block	
2NC slow action	<b>07</b>
Weight	kg
Pack	pcs
Cable entry	

Thermoplastic	Contact travel
<b>E20007EIC</b>	
0,160	
1	
Pg 13,5	

standard article    article on request



Drive cam operating parameters



$\varphi$	V max (m/s)
30°	1,5
45°	1
60°	0,75
60-90°	0,25

Min. force (cNm)	
for tripping	15
for positive opening	35

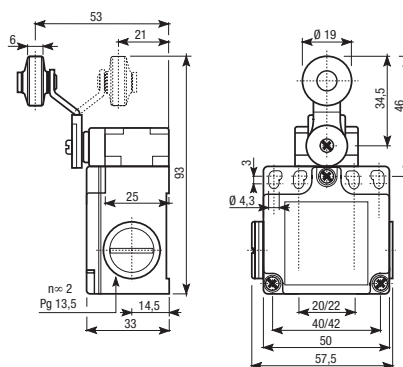


Thermoplastic roller lever

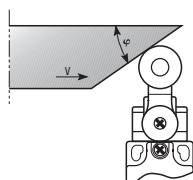
Contact block	
2NC slow action	<b>07</b>
Weight	kg
Pack	pcs
Cable entry	

Thermoplastic	Contact travel
<b>E20007IIC</b>	
0,160	
1	
Pg 13,5	

standard article    article on request



Drive cam operating parameters



$\varphi$	V max (m/s)
30°	1,5
45°	1
60°	0,75
60-90°	0,25

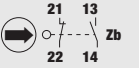
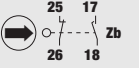
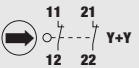
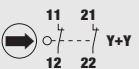
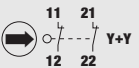
Min. force (cNm)	
for tripping	15
for positive opening	35



Available for series: E100  
E200  
E300  
E400

In conformity with standards:  
IEC/EN 60947-1  
IEC/EN 60947-5-1

Contact blocks

Contact block		Code	Description	Pack	Weight conf. (kg)
1NO+1NC snap action 	00	ELEM00	Snap action 1NO+1NC	5	0,495
1NO+1NC slow action 	01	ELEM01	Slow action 1NO+1NC	5	0,485
1NO+1NC slow overlap. 	02	ELEM02	Slow action overlap 1NO+1NC	5	0,485
2NO slow action 	03	ELEM03	Slow action 2NO	5	0,485
2NC slow action 	04	ELEM04	Slow action 2NC	5	0,485
2NC snap action 	05	ELEM05	Snap action 2NC	5	0,485
2NC slow action 	07	ELEM07	Slow action 2NC	5	0,485

standard article  article on request