

PERFORMANCE
MADE
SMARTER

Product manual **9106B**

HART transparent repeater



Segurança
INMETRO



CCOE



ClassNK
APPROVED



EAC

CE

TEMPERATURE | I.S. INTERFACES | COMMUNICATION INTERFACES | MULTIFUNCTIONAL | ISOLATION | DISPLAY

No. 9106V105-UK
Product version: 9106-002

PR
electronics

6 Product Pillars

to meet your every need

Individually outstanding, unrivalled in combination

With our innovative, patented technologies, we make signal conditioning smarter and simpler. Our portfolio is composed of six product areas, where we offer a wide range of analog and digital devices covering over a thousand applications in industrial and factory automation. All our products comply with or surpass the highest industry standards, ensuring reliability in even the harshest of environments and have a 5-year warranty for greater peace of mind.



Temperature

Our range of temperature transmitters and sensors provides the highest level of signal integrity from the measurement point to your control system. You can convert industrial process temperature signals to analog, bus or digital communications using a highly reliable point-to-point solution with a fast response time, automatic self-calibration, sensor error detection, low drift, and top EMC performance in any environment.



I.S. Interface

We deliver the safest signals by validating our products against the toughest safety standards. Through our commitment to innovation, we have made pioneering achievements in developing I.S. interfaces with SIL 2 Full Assessment that are both efficient and cost-effective. Our comprehensive range of analog and digital intrinsically safe isolation barriers offers multifunctional inputs and outputs, making PR an easy-to-implement site standard. Our backplanes further simplify large installations and provide seamless integration to standard DCS systems.



Communication

We provide inexpensive, easy-to-use, future-ready communication interfaces that can access your PR installed base of products. All the interfaces are detachable, have a built-in display for readout of process values and diagnostics, and can be configured via push-buttons. Product specific functionality includes communication via Modbus and Bluetooth and remote access using our PR Process Supervisor (PPS) application, available for iOS and Android.



Multifunction

Our unique range of single devices covering multiple applications is easily deployable as your site standard. Having one variant that applies to a broad range of applications can reduce your installation time and training, and greatly simplify spare parts management at your facilities. Our devices are designed for long-term signal accuracy, low power consumption, immunity to electrical noise and simple programming.



Isolation

Our compact, fast, high-quality 6 mm isolators are based on microprocessor technology to provide exceptional performance and EMC-immunity for dedicated applications at a very low total cost of ownership. They can be stacked both vertically and horizontally with no air gap separation between units required.



Display

Our display range is characterized by its flexibility and stability. The devices meet nearly every demand for display readout of process signals, and have universal input and power supply capabilities. They provide a real-time measurement of your process value no matter the industry, and are engineered to provide a user-friendly and reliable relay of information, even in demanding environments.

HART TRANSPARENT REPEATER

9106B

Table of contents

Warning	4
Symbol identification	4
Safety instructions	4
How to demount system 9000	5
Application	6
Advanced features	6
Technical characteristics	6
Applications	7
PR 4501 display / programming front	8
Using Modbus output via 4511	8
Mounting/demounting the PR 4511/4501	8
Order	9
Accessories	9
Technical data	9
Visualisation in 4511/4501 of hardware/software error	12
Connections	13
Block diagram	14
Signal error indications without display front	15
Configuration / operating the function keys	16
Routing diagram	17
Routing diagram, advanced settings (ADV.SET)	18
Help text overview	19
Appendix	20
IECEX Installation Drawing	21
ATEX Installation Drawing	26
FM Installation Drawing	31
Desenho de instalação INMETRO	36
Document history	41

Warning



The following operations should only be carried out on a disconnected device and under ESD-safe conditions:

- General mounting, wire connection and disconnection.
- Troubleshooting the device.

Repair of the device and replacement of circuit breakers must be done by PR electronics A/S only.

Warning



Do not open the front plate of the device as this will cause damage to the connector for the display / programming front PR 4511/4501.

This device contains no DIP-switches or jumpers.

Symbol identification



Triangle with an exclamation mark: Read the manual before installation and commissioning of the device in order to avoid incidents that could lead to personal injury or mechanical damage. Warning/demand. Potentially lethal situations.



The CE mark proves the compliance of the device with the essential requirements of the directives.



The double insulation symbol shows that the device is protected by double or reinforced insulation.



Ex devices have been approved acc. to the ATEX directive for use in connection with installations in explosive areas. See installation drawings in appendix.

Safety instructions

Definitions

Hazardous voltages have been defined as the ranges: 75 to 1500 Volt DC, and 50 to 1000 Volt AC.

Technicians are qualified persons educated or trained to mount, operate, and also trouble-shoot technically correct and in accordance with safety regulations.

Operators, being familiar with the contents of this manual, adjust and operate the knobs or potentiometers during normal operation.

Receipt and unpacking

Unpack the device without damaging it and check whether the device type corresponds to the one ordered. The packing should always follow the device until this has been permanently mounted.

Environment

Avoid direct sun light, dust, high temperatures, mechanical vibrations and shock, and rain and heavy moisture. If necessary, heating in excess of the stated limits for ambient temperatures should be avoided by way of ventilation.

The device must be installed in pollution degree 2 or better.

The device is designed to be safe at least under an altitude up to 2 000 m.

Mounting

Only technicians, who are familiar with the technical terms, warnings, and instructions in the manual and who are able to follow these, should connect the device. Should there be any doubt as to the correct handling of the device, please contact your local distributor or, alternatively,

PR electronics A/S
www.prelectronics.com

The use of stranded wires is not permitted for mains wiring except when wires are fitted with cable ends.

Descriptions of input / output and supply connections are shown in the block diagram and on the side label.

The device is provided with field wiring terminals and shall be supplied from a Power Supply having double / reinforced insulation. A power switch shall be easily accessible and close to the device. The power switch shall be marked as the disconnecting unit for the device.

For installation on Power Rail 9400 the power is supplied by Power Control Unit 9410.

Year of manufacture can be taken from the first two digits in the serial number.

Calibration and Adjustment

During calibration and adjustment, the measuring and connection of external voltages must be carried out according to the specifications of this manual. The technician must use tools and instruments that are safe to use.

Normal operation

Operators are only allowed to adjust and operate devices that are safely fixed in panels, etc., thus avoiding the danger of personal injury and damage. This means there is no electrical shock hazard, and the device is easily accessible.

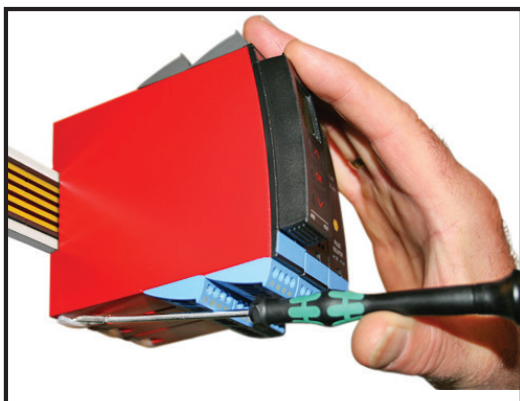
Cleaning

When disconnected, the device may be cleaned with a cloth moistened with distilled water.

Liability

To the extent the instructions in this manual are not strictly observed, the customer cannot advance a demand against PR electronics A/S that would otherwise exist according to the concluded sales agreement.

How to demount system 9000



Picture 1:

By lifting the bottom lock, the device is detached from the DIN rail.

HART TRANSPARENT REPEATER 9106B

- 24 VDC supply via power rail or connectors
- Active and passive mA input
- Active or passive output via the same two terminals
- Splitter function - 1 in and 2 out
- SIL2 / SIL3 Full Assessment and certified acc. to IEC 61508

Application

- 9106B is a 1- or 2-channel isolated 1:1 repeater barrier for intrinsic safety applications.
- The device supplies 2-wire SMART transmitters and can also be used for 2-wire SMART current sources. HART & BRAIN protocols are supported and are transferred bi-directionally.
- 9106B can be mounted in the safe area or in zone 2 / Cl. 1, div. 2 and receive signals from zone 0, 1, 2 and zone 20, 21, 22 including mining / Class I/II/III, Div. 1, Gr. A-G.
- The PR 4511/4501 displays the process value for each channel and can be used to define high and low limits for detection of loop current level. If these limits are exceeded, the status relay will activate.
- In the 1-channel version the status relay can be used as a simple limit switch.
- For duplication/migration purposes, the outputs can be sent to two different DCS/PLC/HMI or any monitoring system.
- In safety applications (SIL loops), the 9106xxB can be used as a splitter with the following output configuration:
 - When using 9106xxB in a SIL2 safety function, channel 1 is used for the safety loop. Channel 2 can be used for any non-safety device.
 - For higher safety purposes (SIL 3), 9106xxB can be used as a splitter for SIL 3 loops. Channel 1 and 2 are then connected to the same safety PLC, where channel 2 is used as a redundant diagnostic channel. (For more information, consult the FMEDA Report and the Safety Manual).

Advanced features

- The PR 4511/4501 detachable display and the green and red front LEDs indicate operation status for each channel.
- A tag number can be defined for each channel.
- Monitoring of error events and cable breakage on input via the individual status relay and/or a collective electronic signal via the power rail.

Technical characteristics

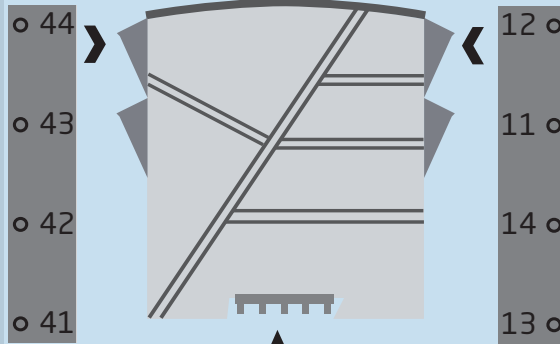
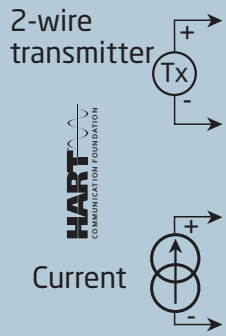
- High galvanic isolation of 2.6 kVAC.
- Fast response time <5 msec.
- High accuracy better than 0.1%.
- 2-wire transmitter supply >16 V.



Applications

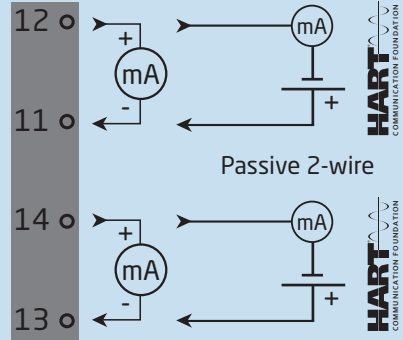
Input signals:

Channel 1



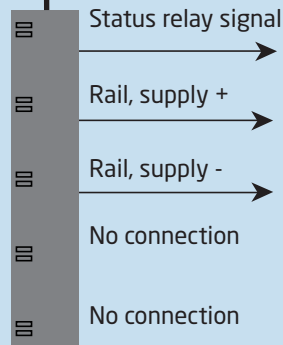
Output signals:

Analog, 4...20 mA
Channel 1

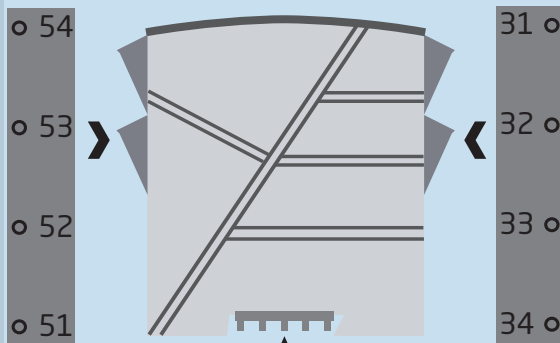
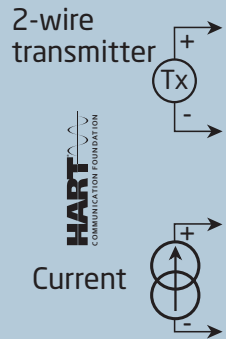


Channel 2

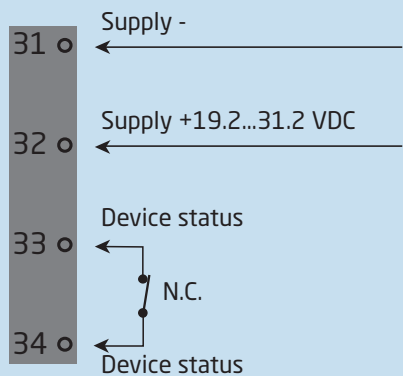
Power rail



Channel 2



Power connection:



**Zone 0, 1, 2,
20, 21, 22, M1 &
Cl. I/II/III, Div. 1
gr. A-G**

Same power rail as above

**Zone 2 & Cl. 1, Div. 2, gr. A-D
or Safe Area**

PR 4501 display / programming front



Functionality

The simple and easily understandable menu structure and the explanatory help texts guide you effortlessly and automatically through the configuration steps, thus making the product very easy to use. Functions and configuration options are described in the section "Configuration / operating the function keys".

Application

- Communications interface for modification of operational parameters in 9106B.
- When mounted in the process, the display shows process values and device status.

Technical characteristics

- LCD display with 4 lines:
 - Line 1 (H=5.57 mm) shows status for each channel (OK or error).
 - Line 2 (H=3.33 mm) shows loop current in mA for channel 1 or tag no.
 - Line 3 (H=3.33 mm) shows loop current in mA for channel 2 or tag no.
 - Line 4 shows communications status.
- In order to protect the configuration against unauthorised changes, access to the menus can be blocked by a password.

Using Modbus output via 4511

When using the digital output of the 4511 and no load on the output terminals of the 9106, the output terminals need to be shorted to make sure that the 9106 does not overheat.

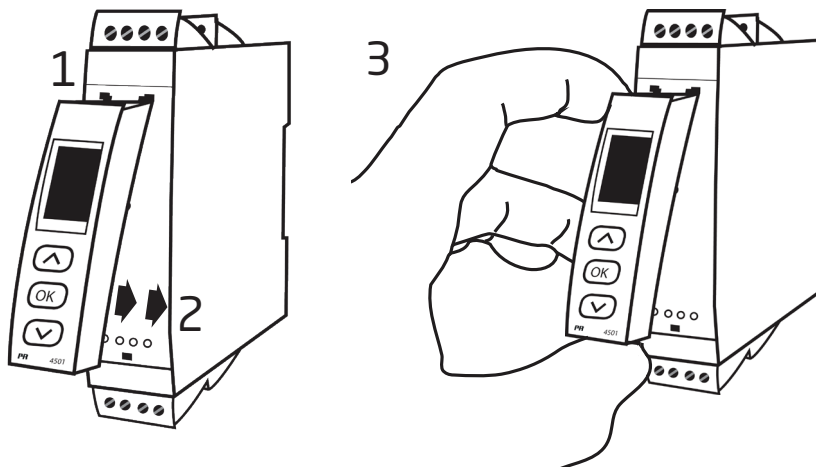
A short-circuit bridge will be mounted from factory, but only when you order the part together with the 9106. Remember to order 2 short-circuit bridges if you order the 2-channel version of 9106.

Mounting/demounting the PR 4511/4501

- 1: Insert the tabs of the PR 4511/4501 into the holes at the top of the device.
- 2: Hinge the PR 4511/4501 down until it snaps into place.

Demounting of the PR 4511/4501

- 3: Push the release button on the bottom of the PR 4511/4501 and hinge the the PR 4511/4501 out and up.
- 4: With the PR 4511/4501 hinged up, remove from holes at the top of the device.



Order

Type	Barrier version	Unit channels
9106B	U _o = 27.5 V :1	Single : A
	U _o = 25.3 V :2	Double : B

Example: 9106B2B

Accessories

4501	=	Display / programming front
4511	=	Communication enabler
SR9106-01	=	Short-circuit bridge for 9106 output
9400	=	Power rail
9404	=	Module stop for rail
9410	=	Power control unit
9421	=	Power supply 24 V - Ex nA nC

Technical data

Environmental conditions:

Specifications range	-20°C to +60°C
Storage temperature	-20°C to +85°C
Calibration temperature	20...28°C
Relative humidity	< 95% RH (non-cond.)
Protection degree	IP20
Installation in	Pollution degree 2 & overvoltage category II.

Mechanical specifications:

Dimensions (HxWxD)	109 x 23.5 x 104 mm
Dimensions (HxWxD) w/ 4501 / 4511	109 x 23.5 x 116 / 131 mm
Weight approx.	250 g
Weight incl. 4501 / 4511 (approx.)	265 g / 280 g
DIN rail type	DIN EN 60715 - 35 mm
Wire size	0.13...2.08 mm ² / AWG 26...14 stranded wire
Screw terminal torque	0.5 Nm
Vibration	IEC 60068-2-6
2...13.2 Hz	±1 mm
13.2...100 Hz	±0.7 g

Common electrical specifications:

Supply voltage	19.2...31.2 VDC
Fuse	1.25 A SB / 250 VAC

Type	Description	Max. power dissipation	Max. required power
Passive input			
9106B1A	1 ch. (Ex Uo 27.5 V)	≤ 0.8 W	≤ 1.1 W
9106B1B	2 ch. (Ex Uo 27.5 V)	≤ 1.2 W	≤ 1.9 W
9106B2A	1 ch. (Ex Uo 25.3 V)	≤ 0.8 W	≤ 1.1 W
9106B2B	2 ch. (Ex Uo 25.3 V)	≤ 1.2 W	≤ 1.9 W
Active input			
9106B1A	1 ch. (Ex Uo 27.5 V)	≤ 1.1 W	≤ 1.1 W
9106B1B	2 ch. (Ex Uo 27.5 V)	≤ 1.9 W	≤ 1.9 W
9106B2A	1 ch. (Ex Uo 25.3 V)	≤ 1.1 W	≤ 1.1 W
9106B2B	2 ch. (Ex Uo 25.3 V)	≤ 1.9 W	≤ 1.9 W

Max. required power is the maximum power needed at terminals 31 and 32.

Max. power dissipation is the maximum power dissipated by the device.

If the 9106 is used with the 4511/4501, then add 40 mW to the max. power dissipation and 70 mW to the max. required power for each device with the 4511/4501.

Isolation - test / working:

Input to any. 2.6 kVAC / 300 VAC reinforced isolation
Analog output to supply 2.6 kVAC / 300 VAC reinforced isolation
Status relay to supply 1.5 kVAC / 150 VAC reinforced isolation
Communications interface Communication enabler 4511 /
Programming front 4501

Signal dynamics, input /output Analog signal chain

SMART bi-directional communication frequency range 0.5...7.5 kHz

Signal / noise ratio > 60 dB

Response time (0...90%, 100...10%) < 5 ms

Effect of supply voltage change on output (nom. 24 VDC) < ±10 µA

Accuracy values		
Input type	Absolute accuracy	Temperature coefficient
mA	≤ ±16	≤ ±1.6 µA /

EMC - immunity influence.	< ±0.5% of span
Extended EMC immunity: NAMUR NE 21, A criterion, burst	< ±1% of span

Current input:

Measurement range 3.5...23 mA

2-wire transmitter supply (terminal 44...43 and 54...53):

9106B1x (Uo=27.5 VDC). >16 V / 20 mA

9106B2x (Uo=25.3 VDC). >15 V / 20 mA

Sensor error detection:

Loop break 4...20 mA < 1 mA

Input voltage drop:

Supplied unit < 4 V @ 23 mA

Non-supplied unit < 6 V @ 23 mA

Ex barrier data:

B1x:	Uo = 27.5 V
	Io = 92.6 mA
	Po = 0.64 W
B2x:	Uo = 25.3 V
	Io = 96 mA
	Po = 0.61 W

Current output:

Signal range.	3.5...23 mA
Load	≤ 600 Ω
Load stability	≤ 0.01% of span / 100 Ω
Current limit.	≤ 28 mA

Passive 2-wire output installation:

Max. external 2-wire supply	26 VDC
Max. load resistance [Ω].	(Vsupply - 3.5) / 0.023 A
Effect of external 2-wire supply voltage variation	< 0.005% of span / V

of span = normal measurement range 4...20 mA

Status relay output terminal 33-34:

Relay function	N.C.
Programmable low setpoint	0...29.9 mA
Programmable high setpoint	0...29.9 mA
Hysteresis for setpoints	0.1 mA
Max. voltage	110 VDC / 125 VAC
Max. current.	0.3 ADC / 0.5 AAC
Max. voltage - hazardous installation.	32 VDC / 32 VAC
Max. current - hazardous installation.	1 ADC / 0.5 AAC

Observed authority requirements:

EMC.	2014/30/EU
LVD	2014/35/EU
ATEX	2014/34/EU
RoHS	2011/65/EU

Approvals:

Det Norske Veritas, Ships & Offshore.	Stand. f. Certific. No. 2.4
ClassNK	TA18527M
c UL us, Standard for Safety	UL 61010-1
EAC	TR-CU 020/2011

I.S. / Ex approvals:


ATEX	DEKRA 11ATEX0244 X
IECEX.	DEK 11.0084 X
c FM us.	FM16US0465X / FM16CA0213X
INMETRO	DEKRA 16.0001 X
CCOE	P337349/1
EAC Ex TR-CU 012/2011	RU C-DK.GB08.V.00410

Functional Safety:

SIL2 Certified & Fully Assessed acc. to IEC 61508
 SFF > 60% - type A component
 SIL3 Applicable through redundant structure (HFT=0)

Visualisation in 4511/4501 of hardware/software error

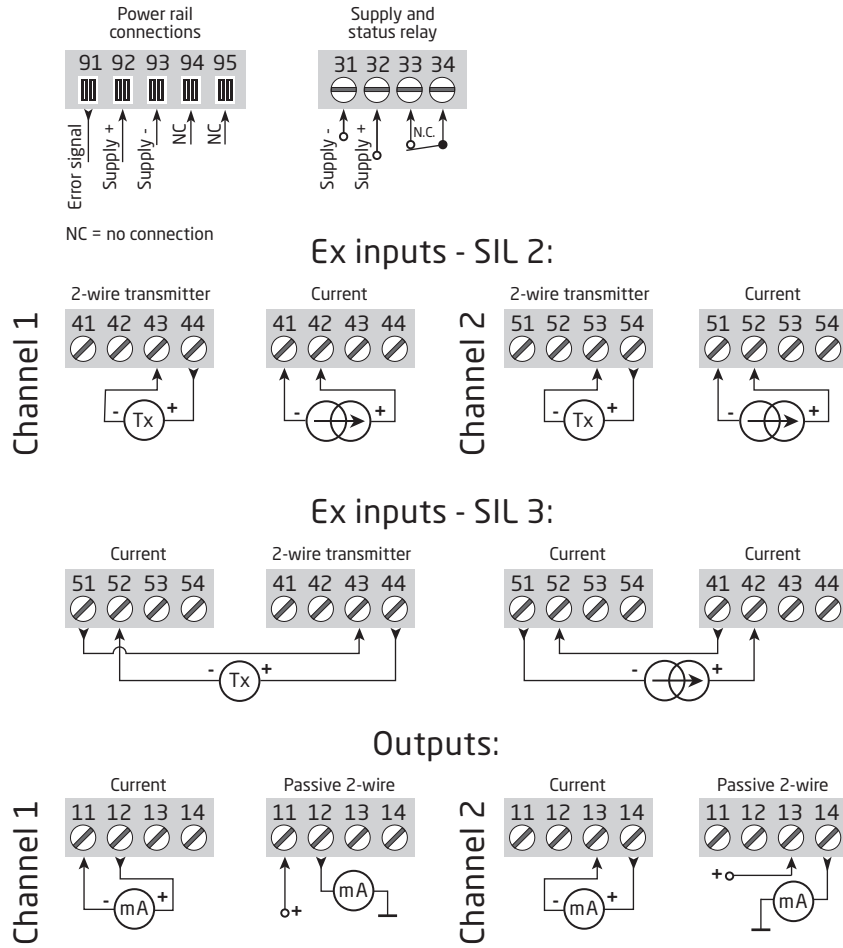
Readout at hardware error		
Error search	Readout	Cause
Communications test 4511/4501 and 9106	NO.CO	Connection error
EEprom error - check configuration	FL.ER	Configuration error or CRC mismatch, recovery configuration is loaded
User error	II!/II!	Loop limit exceeded
User error	II!/II!	Loop error
EEprom error - check configuration	EE.ER / IE.ER	Invalid configuration (CRC or data)
Hardware error	SU.ER	Supply error
Hardware error	RA.ER	RAM error
Hardware error	FL.ER	Flash error
Hardware error	IN.ER	Initialization error
Hardware error	C1.ER	Hardware error - channel 1
Hardware error	C2.ER	Hardware error - channel 2
Hardware error	DE.ER	General error

! All error indications in the display flash once per second. The help text explains the error.
In case of cable fault the backlight also flashes. This can be reset by pressing the  key.

Errors affecting both channels are shown as error on channel 1 - and the line showing channel 2 is blank.

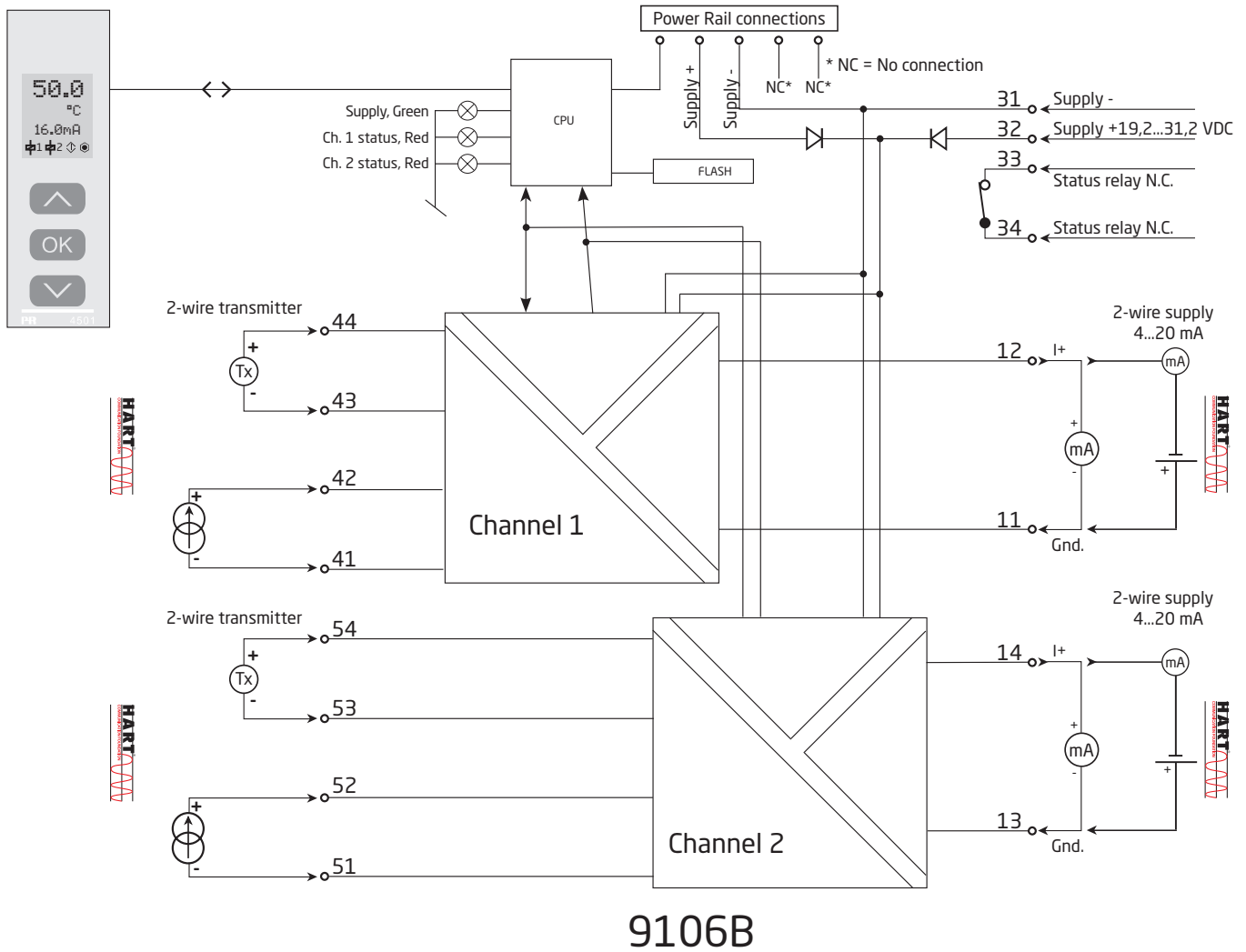
Hardware error can be reset in two ways. Either step through the menus (if the other channel is to stay in operation) or power cycle the device.

Connections



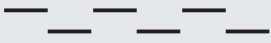
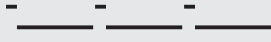
HART communication is possible directly on the input and output terminals if the output load impedance is $> 250 \text{ Ohm}$ & $< 600 \text{ Ohm}$.

Block diagram



Signal error indications without display front

List of LED and error signal indications					
Condition	Green LED	Ch. 1: Red	Ch. 2: Red	Status relay, N.C.	Power rail signal status
Device OK	Blinking	OFF	OFF	Energized	OFF
No supply	OFF	OFF	OFF	De-energized	ON
Device defective	Blinking	ON	ON	De-energized	ON
Ch. 1 defective (ch. 2 OK)	Blinking	ON	OFF	De-energized	ON
Ch. 2 defective (ch. 1 OK)	Blinking	OFF	ON	De-energized	ON
Channel 1, signal OK	Blinking	OFF	OFF	Energized	OFF
Ch. 1, signal limit exceeded	Blinking	Blinking	OFF	De-energized	ON (if activated)
Ch. 1, fixed loop break limit exceeded	Blinking	Flashing	OFF	De-energized	ON (if activated)
Channel 2, signal OK	Blinking	OFF	OFF	Energized	OFF
Ch. 2, signal limit exceeded	Blinking	OFF	Blinking	De-energized	ON (if activated)
Ch. 2, fixed loop break limit exceeded	Blinking	OFF	Flashing	De-energized	ON (if activated)

Blinking : 50% ON and 50% OFF	
Flashing : 8% ON and 92% OFF	

Configuration / operating the function keys

Documentation for routing diagram.

In general

When configuring the 9106, you will be guided through all parameters and you can choose the settings which fit the application. For each menu there is a scrolling help text which is automatically shown in line 3 on the display.

Configuration is carried out by use of the 3 function keys:

- ⏪ will increase the numerical value or choose the next parameter
- ⏩ will decrease the numerical value or choose the previous parameter
- ⏹ will save the chosen value and proceed to the next menu

When configuration is completed, the display will return to the default state 1.0. Pressing and holding ⏹ will return to the previous menu or return to the default state (1.0) without saving the changed values or parameters.

If no key is activated for 1 minute, the display will return to the default state (1.0) without saving the changed values or parameters.

Further explanations

Password protection: Programming access can be blocked by assigning a password. The password is saved in the device in order to ensure a high degree of protection against unauthorised modifications to the configuration. Default password 2008 allows access to all configuration menus.

Loop limits

In the menus LO.LIM and HI.LIM you can choose the current values which will trigger a loop error alarm from the status relay. The NAMUR NE43 limits are selected by setting LO.LIM at 3.6 mA and HI.LIM at 21 mA. The selected limits are identical for both channels. This function can be deactivated by selecting limits outside the range 3.5...23 mA. Alternatively, the status relay can be used as a simple limit switch in the 1-channel version.

The loop break limit is fixed ≤ 1 mA. If this limit is exceeded, the status relay will be de-energized.

Signal and sensor error indication via display front 4511/4501

Sensor error (loop break) is shown in line 1 on the display by flashing ! and ! . The actual mA value is also shown followed by an explanatory text. Channel 1 is shown in line 2 and channel 2 is shown in line 3 on the display.

Line 4 on the display shows the condition of the COM (flashing bullet) indicating correct functioning of 4511/4501.

Advanced functions

The unit gives access to a number of advanced functions which can be reached by answering "Yes" to the point "ADV.SET".

Display setup: Here you can adjust the brightness contrast and the backlight. Setup of tag numbers with 5 alphanumerics. Selection of functional readout in line 2 and 3 on the display - choose between readout of loop current or tag no. When selecting "ALT" the readout toggles between loop current and tag no.

Password: Here you can choose a password between 0000 and 9999 in order to protect the unit against unauthorised modifications to the configuration. The unit is delivered default without password.

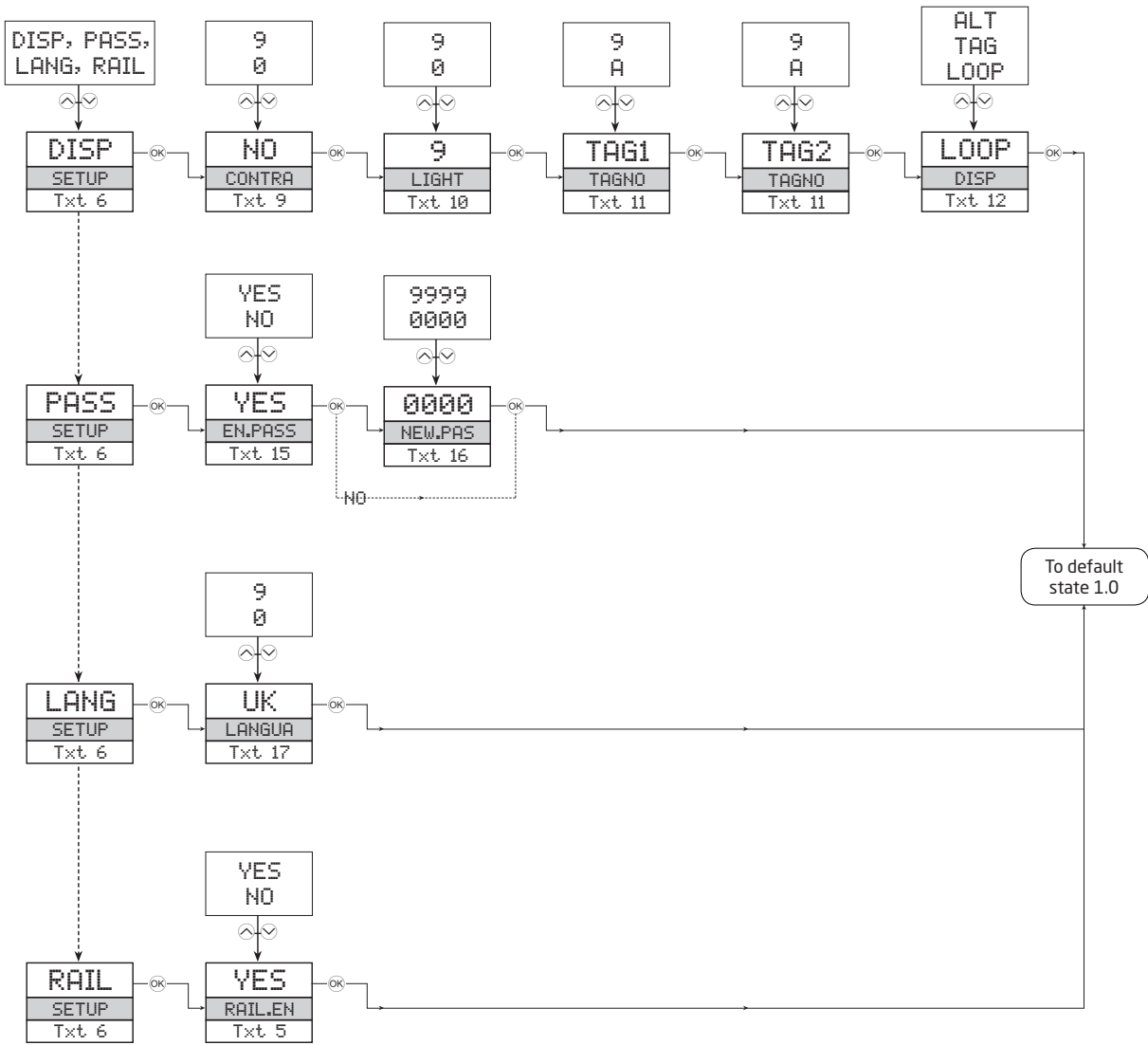
Language: In the menu "LANG" you can choose between 7 different language versions of help texts that will appear in the menu. You can choose between UK, DE, FR, IT, ES, SE and DK.

Power rail: In the menu "RAIL" you can choose if a signal is transmitted to the central surveillance in the PR 9410 power control unit when the signal limits are exceeded.

Safety Integrity Level (SIL): See Safety Manual for details.



Routing diagram, advanced settings (ADV.SET)



Help text overview

- [01] Set correct password [PASS]
- [02] Enter advanced setup [ADV.SET]
- [03] Set low limit for loop error detection [LO.LIM1] [LO.LIM2]
- [04] Set high limit for loop error detection [HI.LIM1] [HI.LIM2]
- [05] Enable rail status signal output? [RAIL.ER]
- [06] Enter display setup [SETUP]
 - Enter password setup [SETUP]
 - Enter language setup [SETUP]
 - Enter rail setup [SETUP]
- [09] Adjust LCD contrast [CONTRA]
- [10] Adjust LCD backlight [LIGHT]
- [11] Write a 5-character tag no. [TAGNO1] [TAGNO2]
- [12] Show loop values in display
 - Show Tag no. in display
 - Alternate shown information in display
- [15] Enable password protection [EN.PASS]
- [16] Set new password [NEW.PAS]
- [17] Select language [LANGUA]
- [18] Loop signal limit exceeded
- [19] Loop wire breakage
- [20] No communication - check connections
- [21] Eeprom error - check configuration
- [22] Hardware error

Appendix

IECEX installation drawing

ATEX Installation Drawing

FM Installation Drawing

Desenho de Instalação INMETRO

Safety Manual

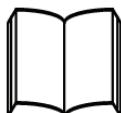
LERBAKKEN 10, 8410 RØNDE DENMARK

IECEX Installation drawing



For safe installation of 9106B the following must be observed. The module shall only be installed by qualified personnel who are familiar with the national and international laws, directives and standards that apply to this area.

Year of manufacture can be taken from the first two digits in the serial number.



For Installation in Zone 2 the following must be observed.

The 4501 programming module is to be used solely with PRelectronics modules. It is important that the module is undamaged and has not been altered or modified in any way. Only 4501 modules free of dust and moisture shall be installed.

9106B1A: 1 channel HART[®]-transparent repeater (27.5 V Barrier)

9106B1B: 2 channel HART[®]-transparent repeater (27.5 V Barrier)

9106B2A: 1 channel HART[®]-transparent repeater (25.3 V Barrier)

9106B2B: 2 channel HART[®]-transparent repeater (25.3 V Barrier)

IECEX Certificate: IECEX DEK 11.0084X

Marking
 [Ex ia Ga] IIC/IIB/IIA
 Ex nA nC IIC T4 Gc
 [Ex ia Da] IIIC
 [Ex ia Ma] I

Standards IEC60079-15 :2010, IEC60079-11:2011, IEC60079-0: 2011

Supply terminal (31,32)

Voltage: 19.2 – 31.2VDC

Status Relay. terminal (33,34)

Voltage max:	125 VAC / 110 VDC	Zone 2 installation 32 VAC / 32 VDC
Power max:	62.5 VA / 32 W	16 VA / 32 W
Current max:	0.5 A AC / 0.3 ADC	0.5 A AC / 1 ADC

Installation notes:

Install in pollution degree 2, overvoltage category II as defined in IEC 60664-1

Do not separate connectors when energized and an explosive gas mixture is present.

Do not mount or remove modules from the Power Rail when an explosive gas mixture is present.

Disconnect power before servicing.

The wiring of unused terminals is not allowed.

The Loop Supply and Current Input terminals for the same channel shall not be applied at the same time.

In type of protection [Ex ia Da] the parameters for intrinsic safety for gas group IIB are applicable.

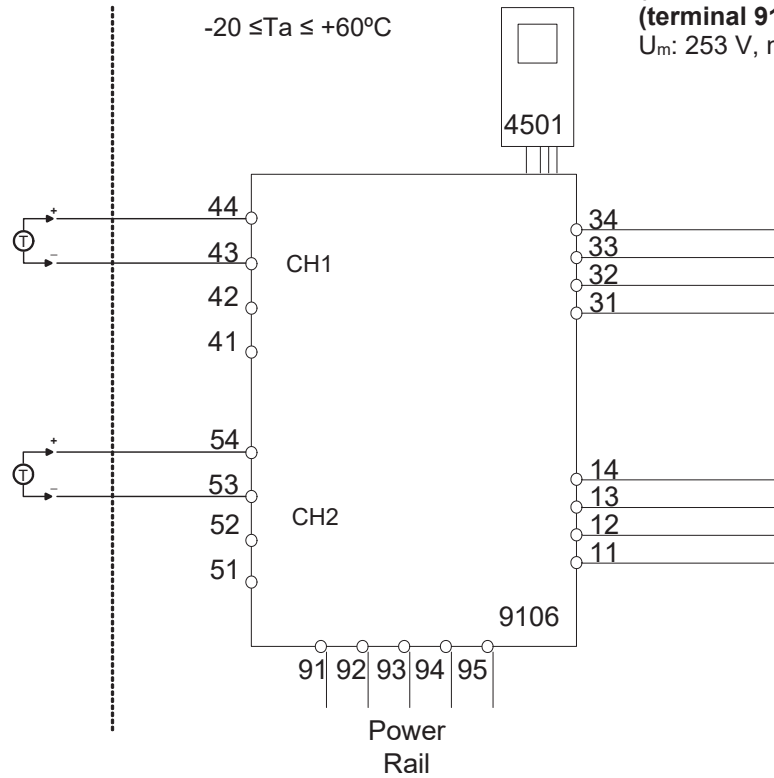
For installation in Zone 2, the module shall be installed in an enclosure in type of protection Ex n or Ex e, providing a degree of protection of at least IP54. Cable entry devices and blanking elements shall fulfill the same requirements.

For installation on Power Rail in Zone 2, only Power Rail type 9400 supplied by Power Control Unit type 9410 (Type Examination Certificate KEMA 07ATEX0152 X) is allowed.

LERBAKKEN 10, 8410 RØNDE DENMARK

 Hazardous area Non Hazardous area
 Zone 0,1,2, 20, 21, 22 or Zone 2

 $-20 \leq T_a \leq +60^\circ\text{C}$

 (terminal 11,12,13,14)
 (terminal 31,32,33,34)
 (terminal 91,92,93,94,95)
 $U_m: 253 \text{ V, max. } 400 \text{ Hz}$

9106B1A, 9106B1B
Ex input: Loop current source
CH1 (terminal 43,44)
CH2 (terminal 53,54)
 $U_o: 27.5 \text{ V}$
 $I_o: 92.6 \text{ mA}$
 $P_o: 0.64 \text{ W}$
9106B2A, 9106B2B
Ex input: Loop current source
CH1 (terminal 43,44)
CH2 (terminal 53,54)
 $U_o: 25.3 \text{ V}$
 $I_o: 96 \text{ mA}$
 $P_o: 0.61 \text{ W}$

	IIC	IIB	IIA	I
C_o	0.084 μF	0.670 μF	2.23 μF	3.94 μF
L_o	4.15 mH	16.59 mH	33.17 mH	54.42 mH
L_o/R_o	-----	223 $\mu\text{H}/\Omega$	447 $\mu\text{H}/\Omega$	733 $\mu\text{H}/\Omega$

	IIC	IIB	IIA	I
C_o	0.104 μF	0.818 μF	2.85 μF	4.74 μF
L_o	3.86 mH	15.43 mH	30.86 mH	50.64 mH
L_o/R_o	-----	234 $\mu\text{H}/\Omega$	468 $\mu\text{H}/\Omega$	769 $\mu\text{H}/\Omega$

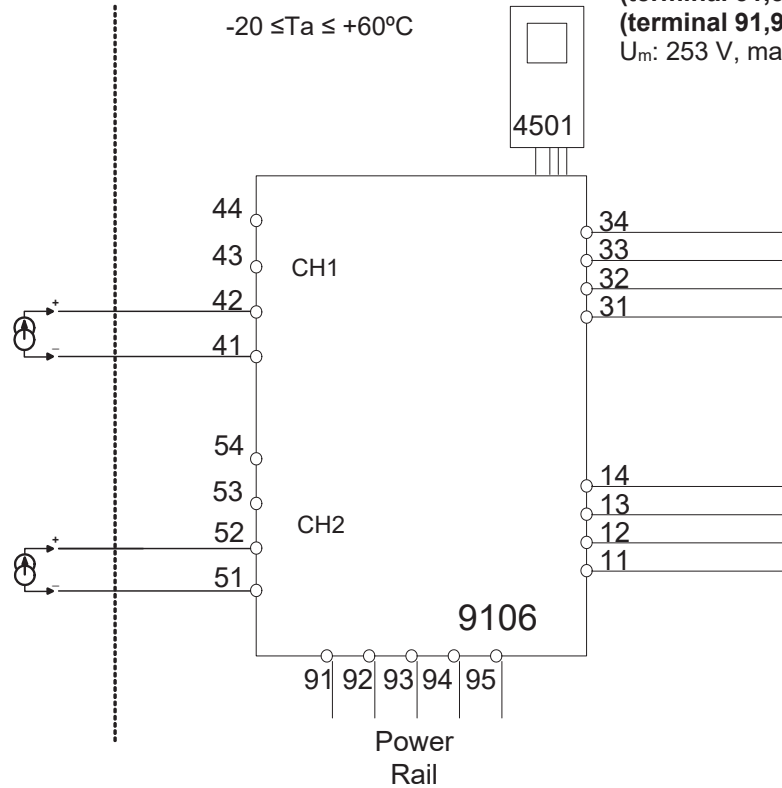
LERBAKKEN 10, 8410 RØNDE DENMARK

Hazardous area
Zone 0,1,2, 20, 21, 22

Non Hazardous area
or Zone 2

$$-20 \leq T_a \leq +60^{\circ}\text{C}$$

(terminal 11,12,13,14)
(terminal 31,32,33,34)
(terminal 91,92,93,94,95)
 $U_m: 253 \text{ V, max. } 400 \text{ Hz}$



9106B1A, 9106B1B, 9106B2A, 9106B2B

Ex input: External current source

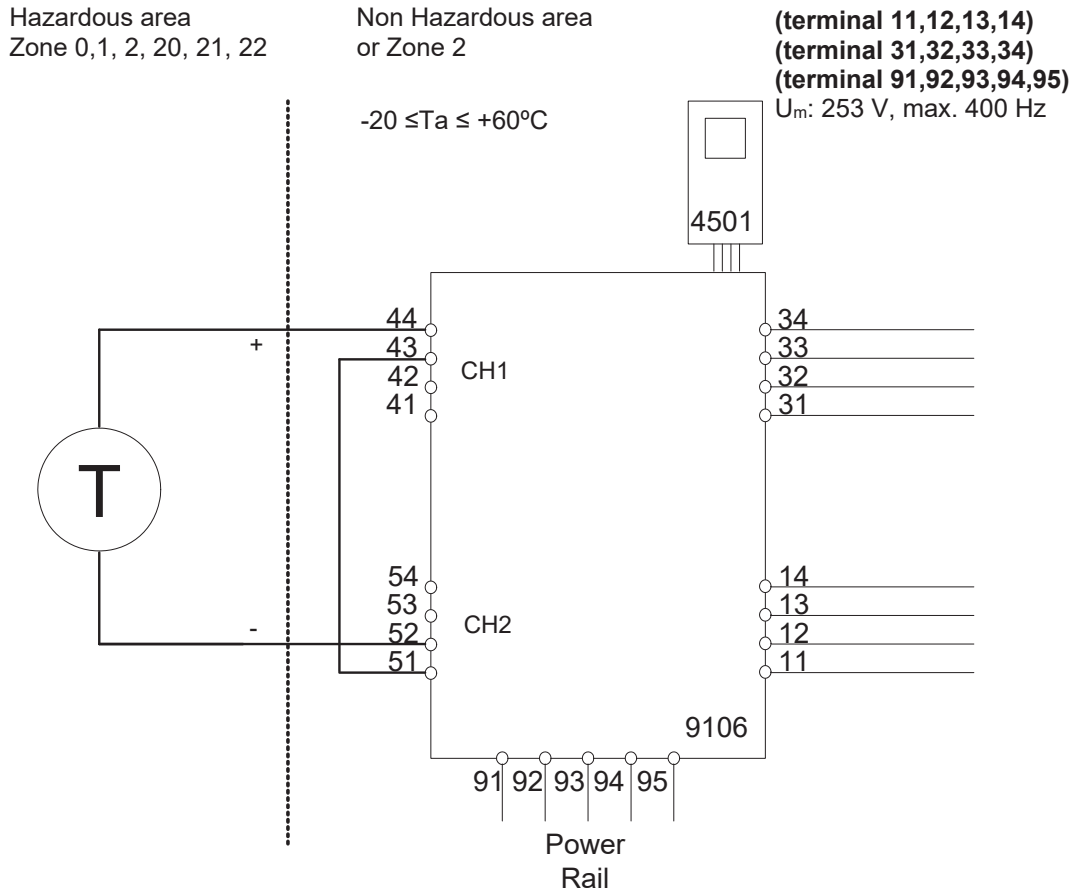
CH1 (terminal 41,42)

CH2 (terminal 51,52)

$U_o:$ 0 V
 $I_o:$ 0 mA
 $P_o:$ 0 mW

$U_i:$ 30 V
 $I_i:$ 120 mA
 $P_i:$ 0.85 mW
 $C_i:$ 2 nF
 $L_i:$ 0 μ H

LERBAKKEN 10, 8410 RØNDE DENMARK



9106B1A, 9106B1B

Ex input: Loop current source 1 to 2

CH1 (terminal 44)

CH2 (terminal 52)

$U_o:$ 27.5 V
 $I_o:$ 92.6 mA
 $P_o:$ 0.64 W

9106B2A, 9106B2B

Ex input: Loop current source 1 to 2

CH1 (terminal 44)

CH2 (terminal 52)

$U_o:$ 25.3 V
 $I_o:$ 96 mA
 $P_o:$ 0.61 W

	IIC	IIB	IIA	I
C_o	0.084 μF	0.670 μF	2.23 μF	3.94 μF
L_o	4.15 mH	16.59 mH	33.17 mH	54.42 mH
L_o/R_o	-----	223 $\mu\text{H}/\Omega$	447 $\mu\text{H}/\Omega$	733 $\mu\text{H}/\Omega$

	IIC	IIB	IIA	I
C_o	0.104 μF	0.818 μF	2.85 μF	4.74 μF
L_o	3.86 mH	15.43 mH	30.86 mH	50.64 mH
L_o/R_o	-----	234 $\mu\text{H}/\Omega$	468 $\mu\text{H}/\Omega$	769 $\mu\text{H}/\Omega$

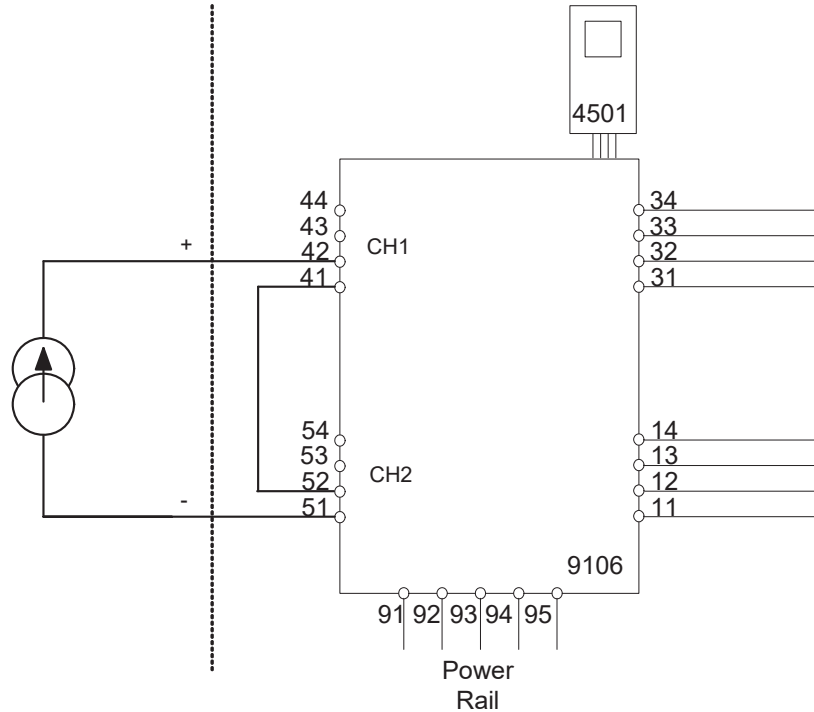
LERBAKKEN 10, 8410 RØNDE DENMARK

Hazardous area
Zone 0,1,2, 20, 21, 22

Non Hazardous area
or Zone 2

(terminal 11,12,13,14)
(terminal 31,32,33,34)
(terminal 91,92,93,94,95)
 U_m : 253 V, max. 400 Hz

$-20 \leq T_a \leq +60^\circ\text{C}$



9106B1A, 9106B1B, 9106B2A, 9106B2B

Ex input: External current source 1 to 2

CH1 (terminal 42)

CH2 (terminal 51)

U_o : 0 V
 I_o : 0 mA
 P_o : 0 W

U_i : 30 V
 I_i : 120 mA
 P_i : 0.85 W
 C_i : 4 nF
 L_i : 0 μ H

LERBAKKEN 10, 8410 RØNDE DENMARK

ATEX Installation drawing



For safe installation of 9106B the following must be observed. The module shall only be installed by qualified personnel who are familiar with the national and international laws, directives and standards that apply to this area.

Year of manufacture can be taken from the first two digits in the serial number.



For Installation in Zone 2 the following must be observed.

The 4501 programming module is to be used solely with PRelectronics modules. It is important that the module is undamaged and has not been altered or modified in any way. Only 4501 modules free of dust and moisture shall be installed.

9106B1A: 1 channel HART®-transparent repeater (27.5 V Barrier)

9106B1B: 2 channel HART®-transparent repeater (27.5 V Barrier)

9106B2A: 1 channel HART®-transparent repeater (25.3 V Barrier)

9106B2B: 2 channel HART®-transparent repeater (25.3 V Barrier)

ATEX Certificate	DEKRA 11ATEX0244X
Marking	II (1) G [Ex ia Ga] IIC/IIB/IIA II 3 G Ex nA nC IIC T4 Gc II (1) D [Ex ia Da] IIIC I (M1) [Ex ia Ma] I
Standards	EN 60079-0: 2012+A11, EN 60079-11 : 2012, EN 60079-15:2010

Supply terminal (31,32)
Voltage: 19.2 – 31.2VDC

Status Relay terminal (33,34)		Zone 2 installation
Voltage max:	125 VAC / 110 VDC	32 VAC / 32 VDC
Power max:	62.5 VA / 32 W	16 VA / 32 W
Current max:	0.5 A AC / 0.3 ADC	0.5 A AC / 1 ADC

Installation notes:

Install in pollution degree 2, overvoltage category II as defined in EN60664-1.

Do not separate connectors when energized and an explosive gas mixture is present.

Do not mount or remove modules from the Power Rail when an explosive gas mixture is present.

Disconnect power before servicing.

The wiring of unused terminals is not allowed.

The Loop Supply and Current Input terminals for the same channel shall not be applied at the same time.

In type of protection [Ex ia Da] the parameters for intrinsic safety for gas group IIB are applicable.

For installation in Zone 2, the module shall be installed in an enclosure in type of protection Ex n or Ex e, providing a degree of protection of at least IP54. Cable entry devices and blanking elements shall fulfill the same requirements.

For installation on Power Rail in Zone 2, only Power Rail type 9400 supplied by Power Control Unit type 9410 (Type Examination Certificate KEMA 07ATEX0152 X) is allowed.

Revision date:	Version Revision	Prepared by:	Page:
2016-11-30	V5 R0	PB	1/5

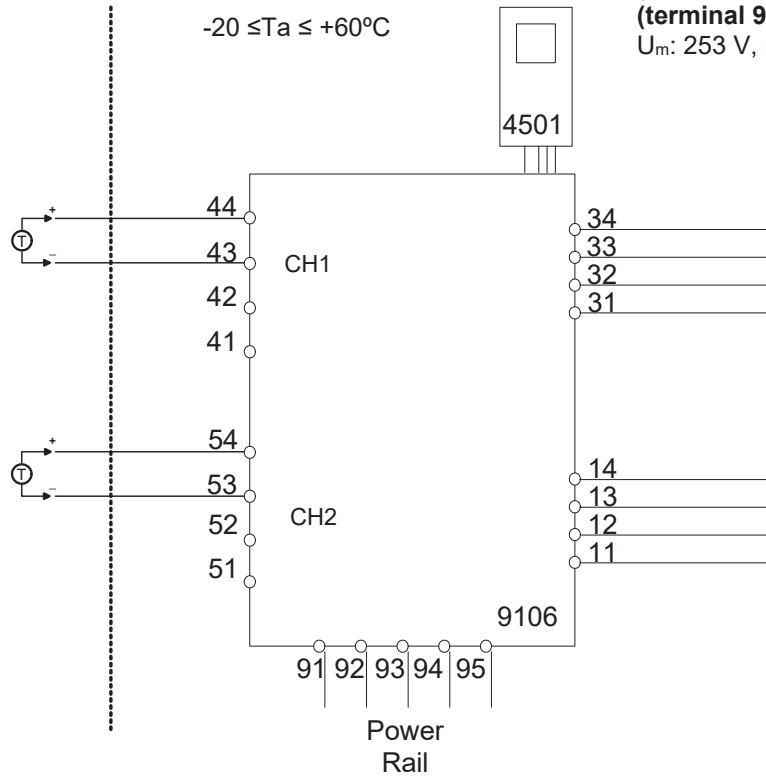
LERBAKKEN 10, 8410 RØNDE DENMARK

Hazardous area
Zone 0,1,2, 20, 21, 22

Non Hazardous area
or Zone 2

$$-20 \leq T_a \leq +60^\circ\text{C}$$

(terminal 11,12,13,14)
(terminal 31,32,33,34)
(terminal 91,92,93,94,95)
 U_m : 253 V, max. 400 Hz



9106B1A, 9106B1B

Ex input: Loop current source

CH1 (terminal 43,44)

CH2 (terminal 53,54)

U_o : 27.5 V
 I_o : 92.6 mA
 P_o : 0.64 W

	IIC	IIB	IIA	I
C_o	0.084 μF	0.670 μF	2.23 μF	3.94 μF
L_o	4.15 mH	16.59 mH	33.17 mH	54.42 mH
L_o/R_o	-----	223 $\mu\text{H}/\Omega$	447 $\mu\text{H}/\Omega$	733 $\mu\text{H}/\Omega$

9106B2A, 9106B2B

Ex input: Loop current source

CH1 (terminal 43,44)

CH2 (terminal 53,54)

U_o : 25.3 V
 I_o : 96 mA
 P_o : 0.61 W

	IIC	IIB	IIA	I
C_o	0.104 μF	0.818 μF	2.85 μF	4.74 μF
L_o	3.86 mH	15.43 mH	30.86 mH	50.64 mH
L_o/R_o	-----	234 $\mu\text{H}/\Omega$	468 $\mu\text{H}/\Omega$	769 $\mu\text{H}/\Omega$

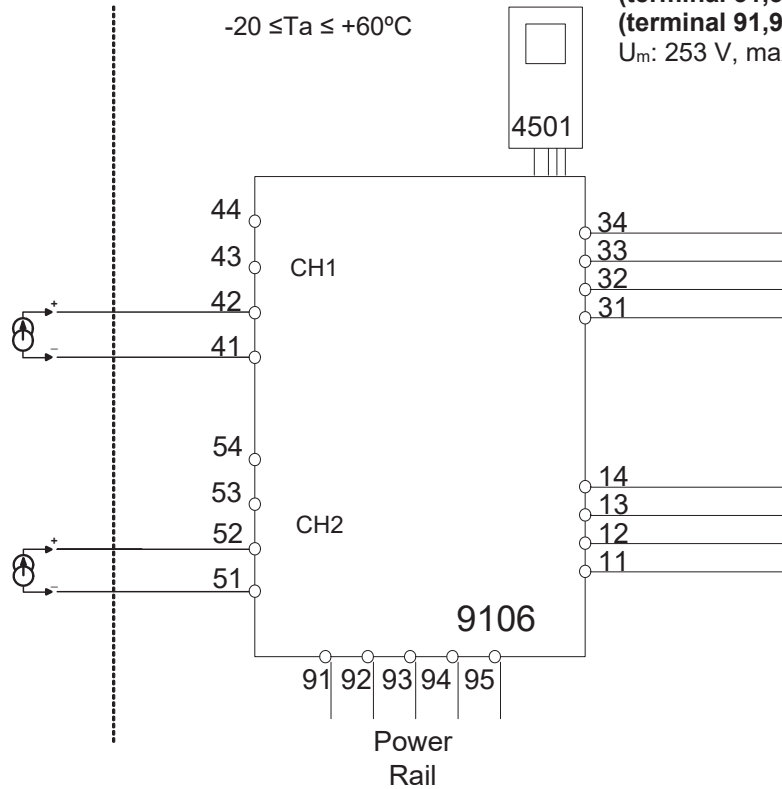
LERBAKKEN 10, 8410 RØNDE DENMARK

Hazardous area
Zone 0,1,2, 20, 21, 22

Non Hazardous area
or Zone 2

$-20 \leq T_a \leq +60^\circ\text{C}$

(terminal 11,12,13,14)
(terminal 31,32,33,34)
(terminal 91,92,93,94,95)
 $U_m: 253 \text{ V, max. } 400 \text{ Hz}$



9106B1A, 9106B1B, 9106B2A, 9106B2B

Ex input: External current source

CH1 (terminal 41,42)

CH2 (terminal 51,52)

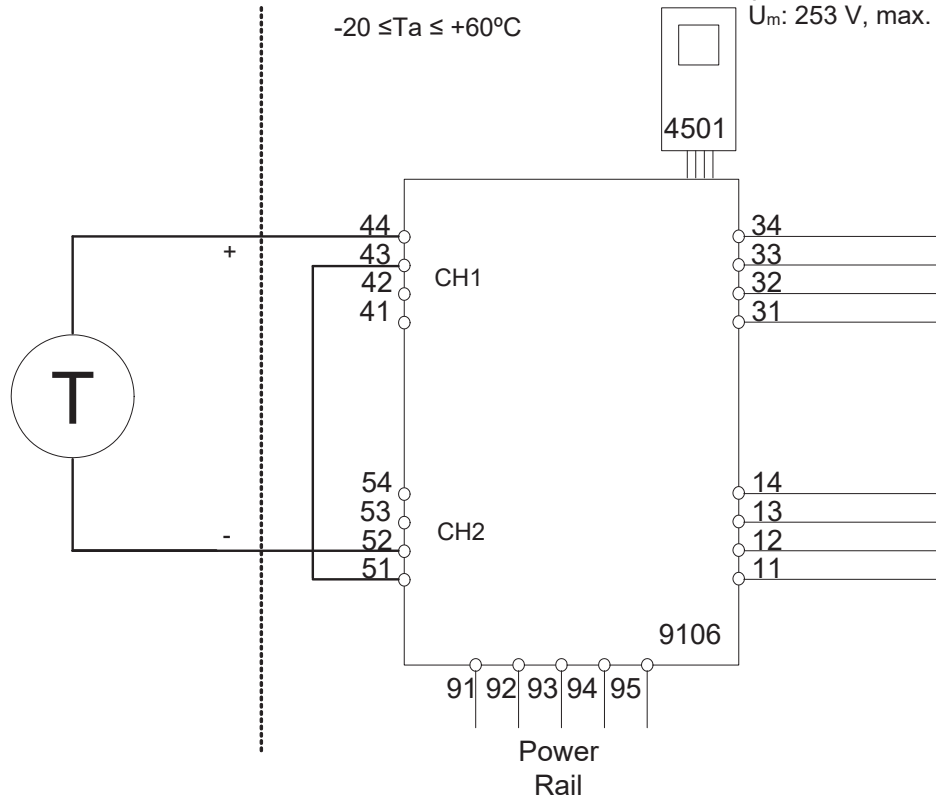
$U_o:$ 0 V
 $I_o:$ 0 mA
 $P_o:$ 0 mW

$U_i:$ 30 V
 $I_i:$ 120 mA
 $P_i:$ 0.85 mW
 $C_i:$ 2 nF
 $L_i:$ 0 μH

LERBAKKEN 10, 8410 RØNDE DENMARK

 Hazardous area
 Zone 0,1, 2, 20, 21, 22

 Non Hazardous area
 or Zone 2

(terminal 11,12,13,14)
(terminal 31,32,33,34)
(terminal 91,92,93,94,95)
 $U_m: 253 \text{ V, max. } 400 \text{ Hz}$

9106B1A, 9106B1B
Ex input: Loop current source 1 to 2
CH1 (terminal 44)
CH2 (terminal 52)
 $U_o: 27.5 \text{ V}$
 $I_o: 92.6 \text{ mA}$
 $P_o: 0.64 \text{ W}$
9106B2A, 9106B2B
Ex input: Loop current source 1 to 2
CH1 (terminal 44)
CH2 (terminal 52)
 $U_o: 25.3 \text{ V}$
 $I_o: 96 \text{ mA}$
 $P_o: 0.61 \text{ W}$

	IIC	IIB	IIA	I
C_o	0.084 μF	0.670 μF	2.23 μF	3.94 μF
L_o	4.15 mH	16.59 mH	33.17 mH	54.42 mH
L_o/R_o	-----	223 μH/Ω	447 μH/Ω	733 μH/Ω

	IIC	IIB	IIA	I
C_o	0.104 μF	0.818 μF	2.85 μF	4.74 μF
L_o	3.86 mH	15.43 mH	30.86 mH	50.64 mH
L_o/R_o	-----	234 μH/Ω	468 μH/Ω	769 μH/Ω

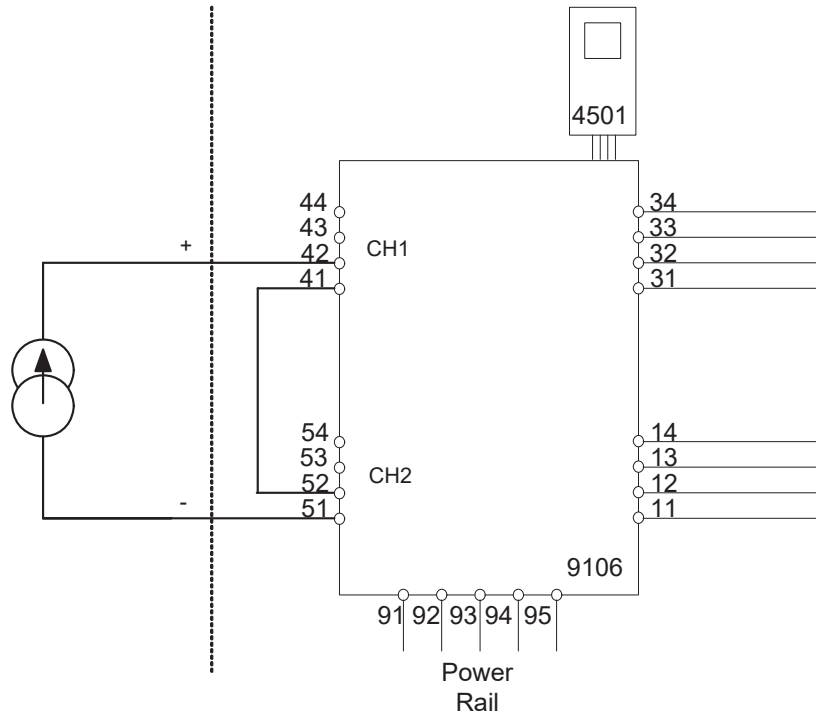
LERBAKKEN 10, 8410 RØNDE DENMARK

Hazardous area
Zone 0,1,2, 20, 21, 22

Non Hazardous area
or Zone 2

$-20 \leq T_a \leq +60^\circ\text{C}$

(terminal 11,12,13,14)
(terminal 31,32,33,34)
(terminal 91,92,93,94,95)
 $U_m: 253 \text{ V, max. } 400 \text{ Hz}$



9106B1A, 9106B1B, 9106B2A, 9106B2B

Ex input: External current source 1 to 2

CH1 (terminal 42)

CH2 (terminal 51)

$U_o: 0 \text{ V}$
 $I_o: 0 \text{ mA}$
 $P_o: 0 \text{ W}$

$U_i: 30 \text{ V}$
 $I_i: 120 \text{ mA}$
 $P_i: 0.85 \text{ W}$
 $C_i: 4 \text{ nF}$
 $L_i: 0 \mu\text{H}$

LERBAKKEN 10, 8410 RØNDE DENMARK

FM Installation drawing



For safe installation of 9106B the following must be observed. The module shall only be installed by qualified personnel who are familiar with the national and international laws, directives and standards that apply to this area.

Year of manufacture can be taken from the first two digits in the serial number.



For Installation in Div2/Zone2 the following must be observed.

The 4501 programming module is to be used solely with PRelectronics modules. It is important that the module is undamaged and has not been altered or modified in any way. Only 4501 modules free of dust and moisture shall be installed.

9106B1A: 1 channel HART®-transparent repeater (27.5 V Barrier)

9106B1B: 2 channel HART®-transparent repeater (27.5 V Barrier)

9106B2A: 1 channel HART®-transparent repeater (25.3 V Barrier)

9106B2B: 2 channel HART®-transparent repeater (25.3 V Barrier)

Supply terminal (31,32)

Voltage: 19.2 – 31.2VDC

Status Relay. terminal (33,34)

Voltage max: 125 VAC / 110 VDC

Power max: 62.5 VA / 32 W

Current max: 0.5 A AC / 0.3 ADC

Zone 2 installation

32 VAC / 32 VDC

16 VA / 32 W

0.5 A AC / 1 ADC

Installation notes:

In Class I, Division 2 installations, the subject equipment shall be mounted within a tool-secured enclosure which is capable of accepting one or more of the Class I, Division 2 wiring methods specified in the National Electrical Code (ANSI/NFPA 70) or Canadian Electrical Code (C22.1).

The equipment shall be installed in an enclosure with a minimum ingress protection rating of IP54 unless the apparatus is intended to be afforded an equivalent degree of protection by location.

The module is galvanically isolated and does not require grounding.

Install in pollution degree 2, overvoltage category II.

Use 60 / 75 °C copper conductors with wire size AWG: (26-14)

Warning: Substitution of components may impair intrinsic safety.

Warning: To prevent ignition of the explosive atmospheres, disconnect power before servicing and do not separate connectors, install or remove module from Power Rail when energized and an explosive gas mixture is present.

Warning: The Loop Supply and Current Input terminals for the same channel shall not be applied at the same time. The wiring of unused terminals is not allowed.

LERBAKKEN 10, 8410 RØNDE DENMARK

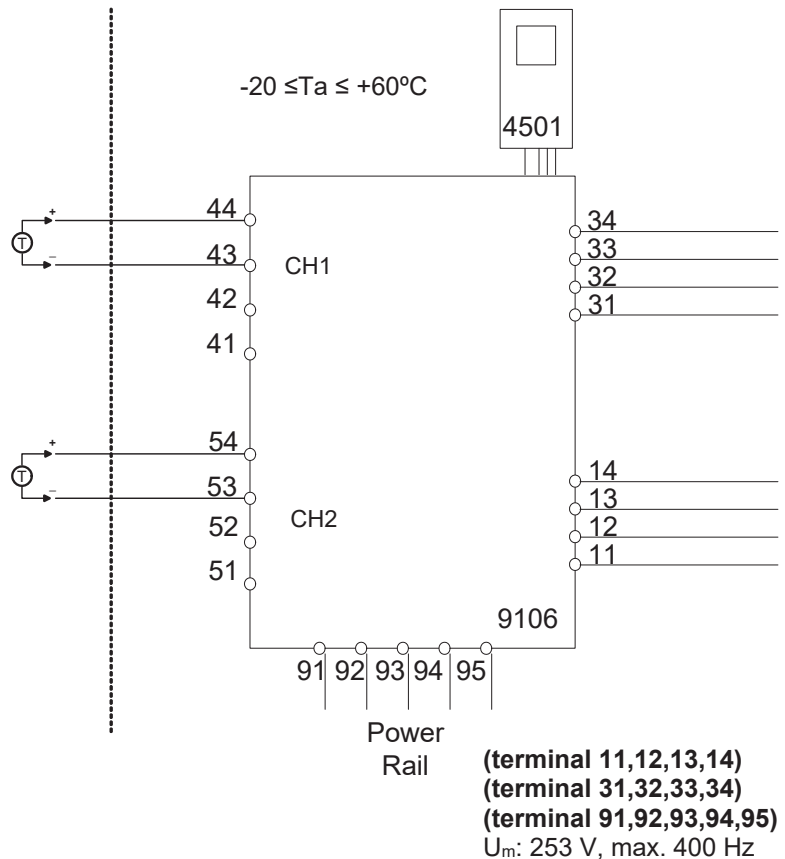
Hazardous Classified Location

 Class I/II/III, Division 1, Group A,B,C,D,E,F,G
 Zone 0,1, 2 Group IIC, IIB, IIA or
 Zone 20, 21

**Unclassified Location or
Hazardous Classified Location**

 Class I, Division 2, Group ABCD T4
 Class I Zone 2 Group IIC T4

 Simple Apparatus or
 Intrinsic safe apparatus
 with entity parameters:

 $V_{max}(U_i) \geq V_t(U_o)$
 $I_{max}(I_i) \geq I_t(I_o)$
 $P_i \geq P_t(P_o)$
 $C_a \geq C_{cable} + C_i$
 $L_a \geq L_{cable} + L_i$

9106B1A, 9106B1B
Ex input: Loop current source
CH1 (terminal 43,44)
CH2 (terminal 53,54)
 $U_o: 27.5\text{ V}$
 $I_o: 92.6\text{ mA}$
 $P_o: 0.64\text{ W}$

	IIC or A,B	IIB or C,E,F	IIA or D,G
C_o	0.084 μF	0.670 μF	2.24 μF
L_o	4.14 mH	16.58 mH	33.17 mH
L_o/R_o	-----	223 $\mu\text{H}/\Omega$	447 $\mu\text{H}/\Omega$

9106B2A, 9106B2B
Ex input: Loop current source
CH1 (terminal 43,44)
CH2 (terminal 53,54)
 $U_o: 25.3\text{ V}$
 $I_o: 96\text{ mA}$
 $P_o: 0.61\text{ W}$

	IIC or A,B	IIB or C,E,F	IIA or D,G
C_o	0.104 μF	0.818 μF	2.85 μF
L_o	3.85 mH	15.43 mH	30.86 mH
L_o/R_o	-----	234 $\mu\text{H}/\Omega$	468 $\mu\text{H}/\Omega$

LERBAKKEN 10, 8410 RØNDE DENMARK

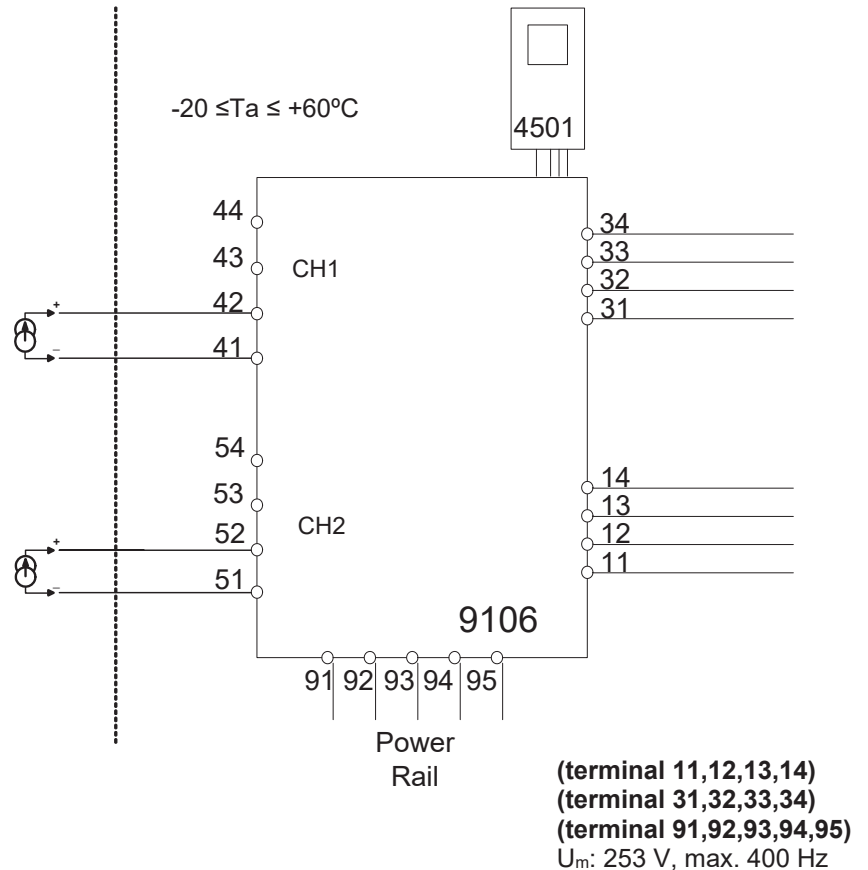
Hazardous Classified Location

 Class I/II/III, Division 1, Group A,B,C,D,E,F,G
 Zone 0,1, 2 Group IIC, IIB, IIA or
 Zone 20, 21

**Unclassified Location or
Hazardous Classified Location**

 Class I, Division 2, Group ABCD T4
 Class I Zone 2 Group IIC T4

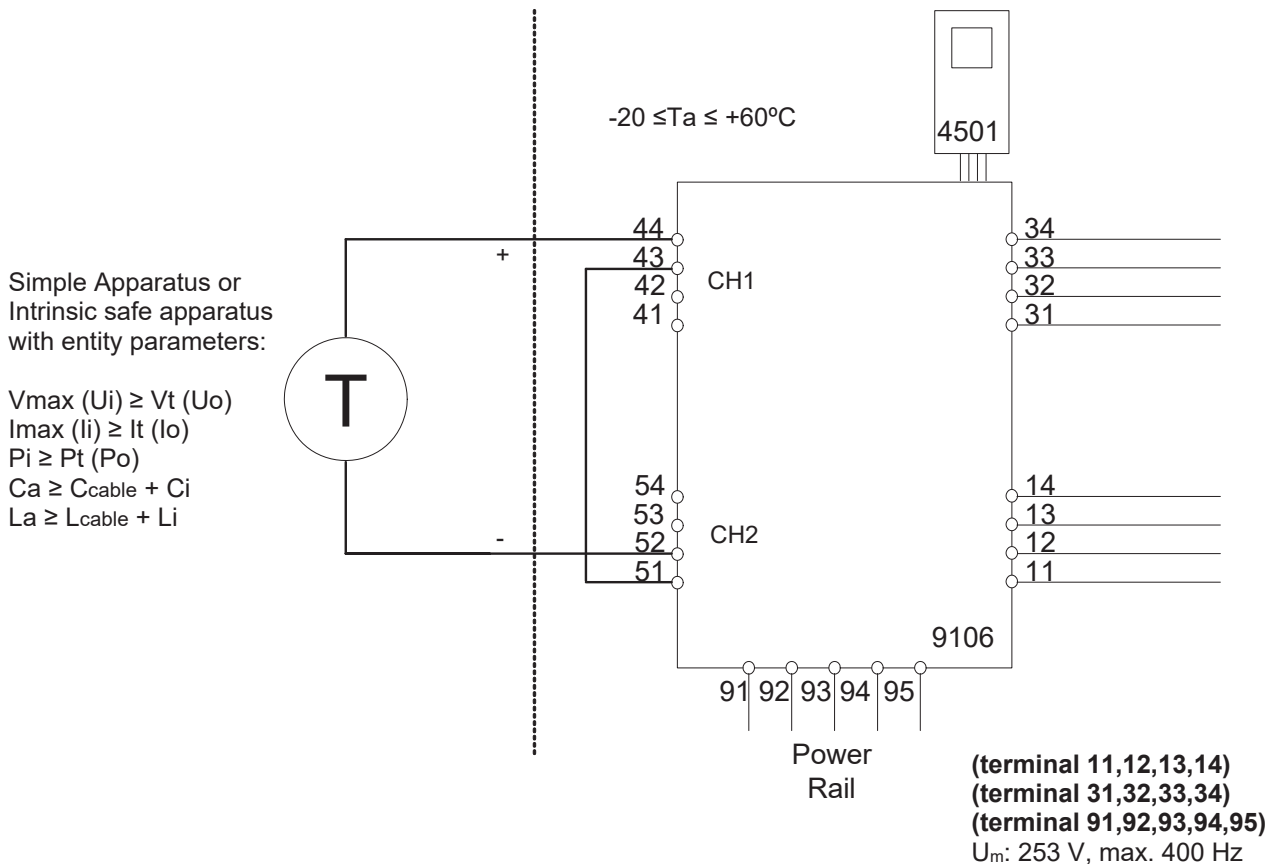
 Simple Apparatus or
 Intrinsic safe apparatus
 with entity parameters:

 $V_{max}(U_i) \geq V_t(U_o)$
 $I_{max}(I_i) \geq I_t(I_o)$
 $P_i \geq P_t(P_o)$
 $C_a \geq C_{cable} + C_i$
 $L_a \geq L_{cable} + L_i$

9106B1A, 9106B1B, 9106B2A, 9106B2B
Ex input: External current source
CH1 (terminal 41,42)
CH2 (terminal 51,52)
 $U_o: 0 \text{ V}$
 $I_o: 0 \text{ mA}$
 $P_o: 0 \text{ mW}$
 $U_i: 30 \text{ V}$
 $I_i: 120 \text{ mA}$
 $P_i: 0.85 \text{ W}$
 $C_i: 2 \text{ nF}$
 $L_i: 0 \mu\text{H}$

LERBAKKEN 10, 8410 RØNDE DENMARK

Hazardous Classified Location

 Class I/II/III, Division 1, Group A,B,C,D,E,F,G
 Zone 0,1, 2 Group IIC, IIB, IIA or
 Zone 20, 21

Unclassified Location or
Hazardous Classified Location
 Class I, Division 2, Group ABCD T4
 Class I Zone 2 Group IIC T4

9106B1A, 9106B1B
Ex input: Loop current source 1 to 2
CH1 (terminal 44)
CH2 (terminal 52)

 U_o: 27.5 V

 I_o: 92.6 mA

 P_o: 0.64 W

	IIC or A,B	IIB or C,E,F	IIA or D,G
C _o	0.084μF	0.670μF	2.23 μF
L _o	4.14 mH	16.58 mH	33.17 mH
L _o / R _o	-----	223 μH/Ω	447 μH/Ω

9106B2A, 9106B2B
Ex input: Loop current source 1 to 2
CH1 (terminal 44)
CH2 (terminal 52)

 U_o: 25,3 V

 I_o: 96 mA

 P_o: 0.61 W

	IIC or A,B	IIB or C,E,F	IIA or D,G
C _o	0.104μF	0.818μF	2.85 μF
L _o	3.85 mH	15.43 mH	30.86 mH
L _o / R _o	-----	234 μH/Ω	468 μH/Ω

LERBAKKEN 10, 8410 RØNDE DENMARK

Hazardous Classified Location

Class I/II/III, Division 1, Group A,B,C,D,E,F,G
Zone 0,1, 2 Group IIC, IIB, IIA or
Zone 20, 21

**Unclassified Location or
Hazardous Classified Location**

Class I, Division 2, Group ABCD T4
Class I Zone 2 Group IIC T4

Simple Apparatus or
Intrinsic safe apparatus
with entity parameters:

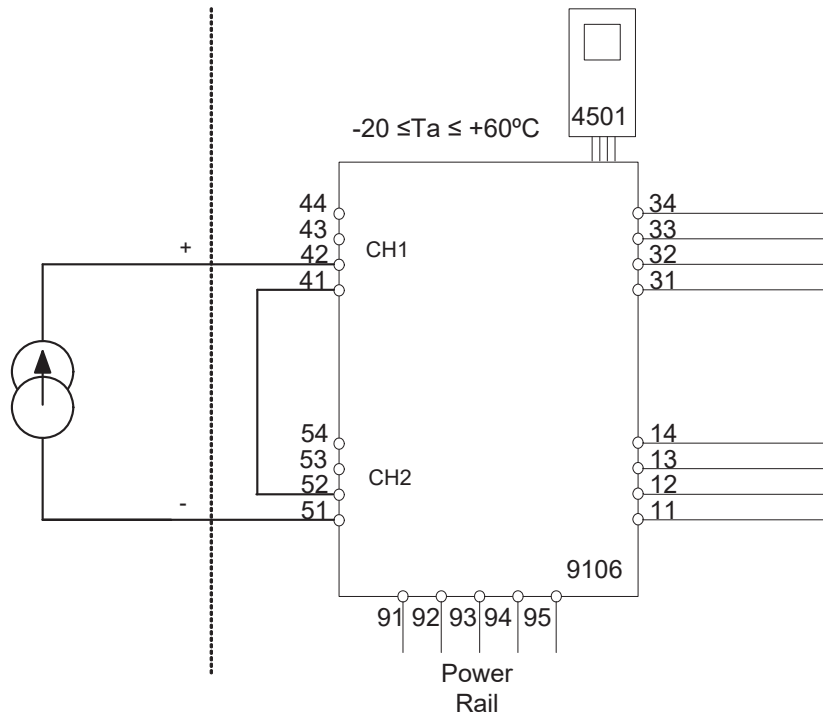
$$V_{max}(U_i) \geq V_t(U_o)$$

$$I_{max}(I_i) \geq I_t(I_o)$$

$$P_i \geq P_t(P_o)$$

$$C_a \geq C_{cable} + C_i$$

$$L_a \geq L_{cable} + L_i$$



9106B1A, 9106B1B, 9106B2A, 9106B2B
Ex input: External current source 1 to 2
CH1 (terminal 42)
CH2 (terminal 51)

$U_o:$ 0 V
 $I_o:$ 0 mA
 $P_o:$ 0 W

$U_i:$ 30 V
 $I_i:$ 120 mA
 $P_i:$ 0.85 W
 $C_i:$ 4 nF
 $L_i:$ 0 μH

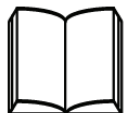
(terminal 11,12,13,14)
(terminal 31,32,33,34)
(terminal 91,92,93,94,95)
 $U_m:$ 253 V, max. 400 Hz

INMETRO - Desenhos para Instalação



Para instalação segura do 9106B o manual seguinte deve ser observado. O módulo deve ser instalado somente por profissionais qualificados que estão familiarizados com as leis nacionais e internacionais, diretrizes e normas que se aplicam a esta área.

Ano de fabricação pode ser obtido a partir dos dois primeiros dígitos do número de série.



Para a instalação na Zona 2 o seguinte deve ser observado.

O módulo de programação de 4501, deve ser utilizado apenas com os módulos PRelectronics. É importante que o módulo esteja intacto e não tenha sido alterado ou modificado de qualquer maneira. Apenas os módulos 4501 livres de poeira e umidade devem ser instalados.

9106B1A: 1 canal HART®-repetidor transparente (Barreira 27,5 V)

9106B1B: 2 canais HART®- repetidor transparente (Barreira 27,5 V)

9106B2A: 1 canal HART®- repetidor transparente (Barreira 25,3 V)

9106B2B: 2 canais HART®- repetidor transparente (Barreira 25,3 V)

INMETRO Certificado DEKRA 16.0001X

Marcas [Ex ia Ga] IIC/IIB/IIA
Ex nA nC IIC T4 Gc
[Ex ia Da] IIIC
[Ex ia Ma] I

Normas: ABNT NBR IEC 60079-0:2013, ABNT NBR IEC60079-11:2013,
ABNT NBR IEC60079-15:2012

Terminais de alimentação (31,32)

Voltagem: 19,2 – 31,2VDC

Relé de estado terminais (33,34)	Instalação Zone 2
Voltagem máx.: 125 VAC / 110 VDC	32 VAC / 32 VDC
Potência máx.: 62,5 VA / 32 W	16 VA / 32 W
Corrente máx.: 0,5 A AC / 0,3 ADC	0,5 A AC / 1 ADC

Notas de Instalação:

Instalação em grau de poluição 2, categoria de sobretensão II conforme definido no IEC 60664-1
Não separe conectores quando energizado ou quando uma mistura de gás explosivo estiver presente.

Não monte ou remova módulos do trilho de alimentação quando uma mistura explosiva de gás estiver presente.

Desligue a alimentação antes da manutenção.

A fiação de terminais sem uso não é permitida.

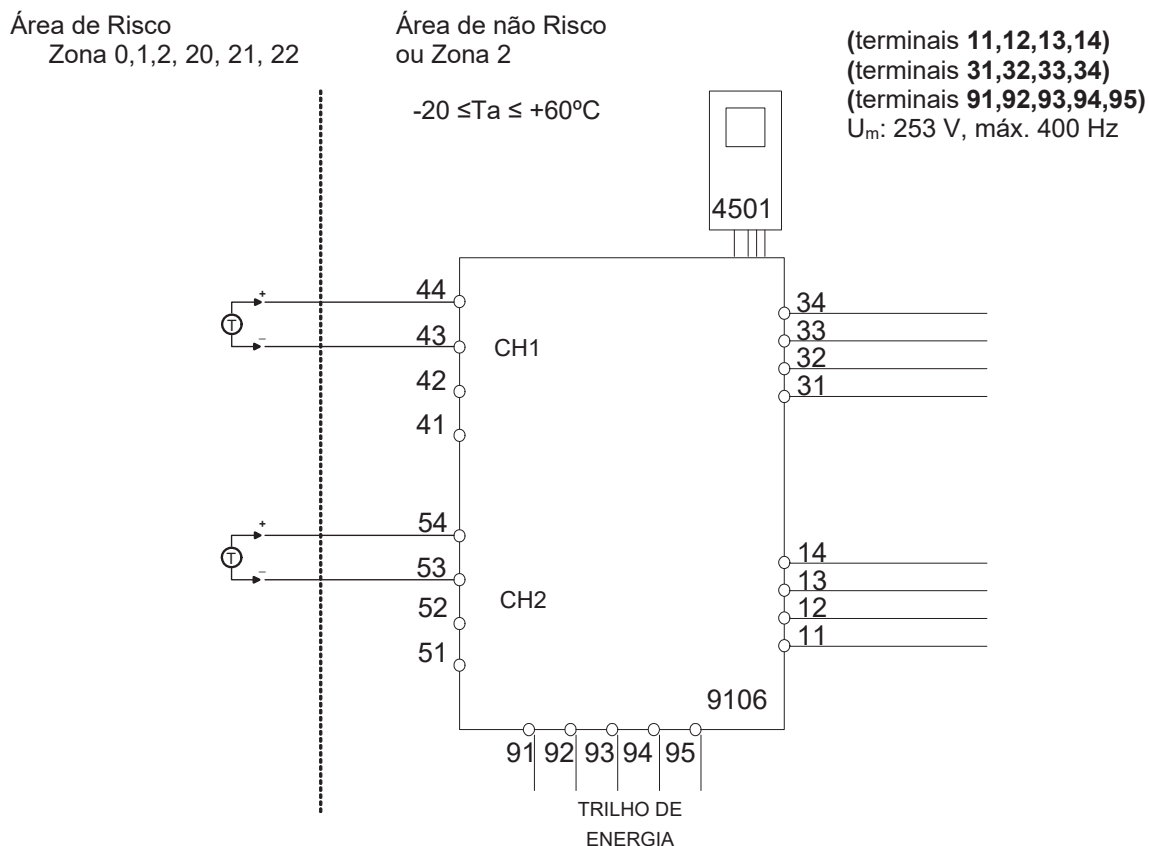
A fonte de Loop e terminais de entrada de corrente para o mesmo canal não deve ser aplicada ao mesmo tempo.

Em tipo de proteção [Ex ia Da] os parâmetros para a segurança intrínseca para grupo de gás IIB são aplicáveis.

Para a instalação em Zona 2, o módulo deve ser instalado em um invólucro certificado conforme as normas da série ABNT NBR IEC 60079 que proporcione um grau de proteção de pelo menos IP54. Dispositivos de entrada de cabo e elementos de vedação devem cumprir com os mesmos requisitos.

Para a instalação de trilho de energia na Zona 2, apenas o trilho de alimentação Rail 9400 fornecido pela Unidade de Controle de Potência 9410 é permitido.

LERBAKKEN 10, 8410 RØNDE DENMARK


9106B1A, 9106B1B

Entrada Ex: Fonte de corrente da malha
CN1 (terminais 43,44)
CN2 (terminais 53,54)

U_o: 27,5 V
 I_o: 92,6 mA
 P_o: 0,65 W

	IIC	IIB	IIA	I
C _o .	0,084 μF	0,670 μF	2,23 μF	3,94 μF
L _o .	4,15 mH	16,59 mH	33,17 mH	54,42 mH
L _o / R _o	-----	223 μH/Ω	447 μH/Ω	733 μH/Ω

9106B2A, 9106B2B

Entrada Ex: Fonte de corrente da malha
CN1 (terminais 43,44)
CN2 (terminais 53,54)

U_o: 25,3 V
 I_o: 96 mA
 P_o: 0,61 W

	IIC	IIB	IIA	I
C _o .	0,104 μF	0,818 μF	2,85 μF	4,74 μF
L _o .	3,86 mH	15,43 mH	30,86 mH	50,64 mH
L _o / R _o	-----	234 μH/Ω	468 μH/Ω	769 μH/Ω

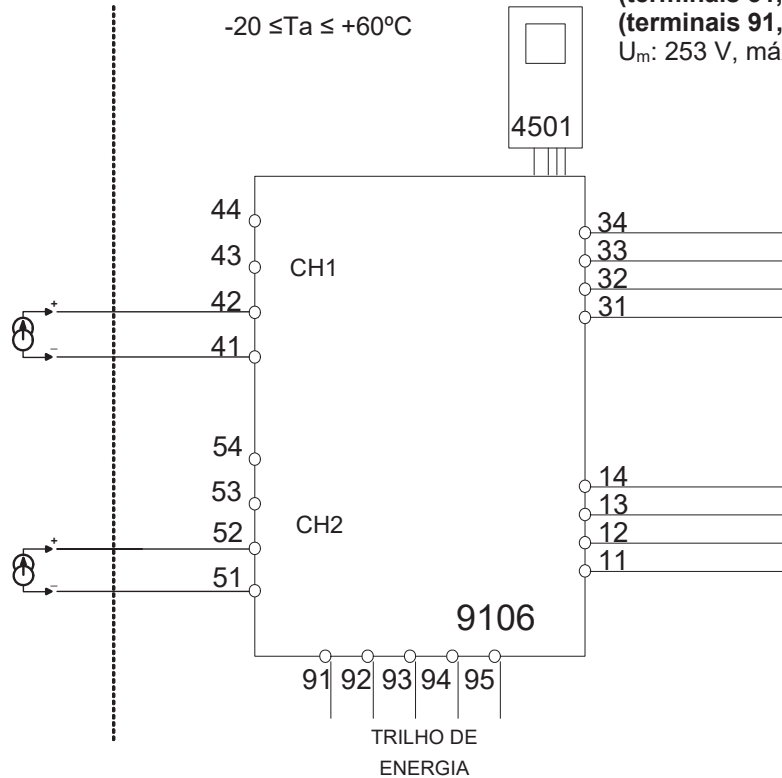
LERBAKKEN 10, 8410 RØNDE DENMARK

Área de Risco
Zona 0,1,2, 20, 21, 22

Área de não Risco
ou Zona 2

$-20 \leq T_a \leq +60^\circ\text{C}$

(terminais 11,12,13,14)
(terminais 31,32,33,34)
(terminais 91,92,93,94,95)
 U_m : 253 V, máx. 400 Hz



9106B1A, 9106B1B, 9106B2A, 9106B2B

Entrada Ex: Fonte de corrente externa

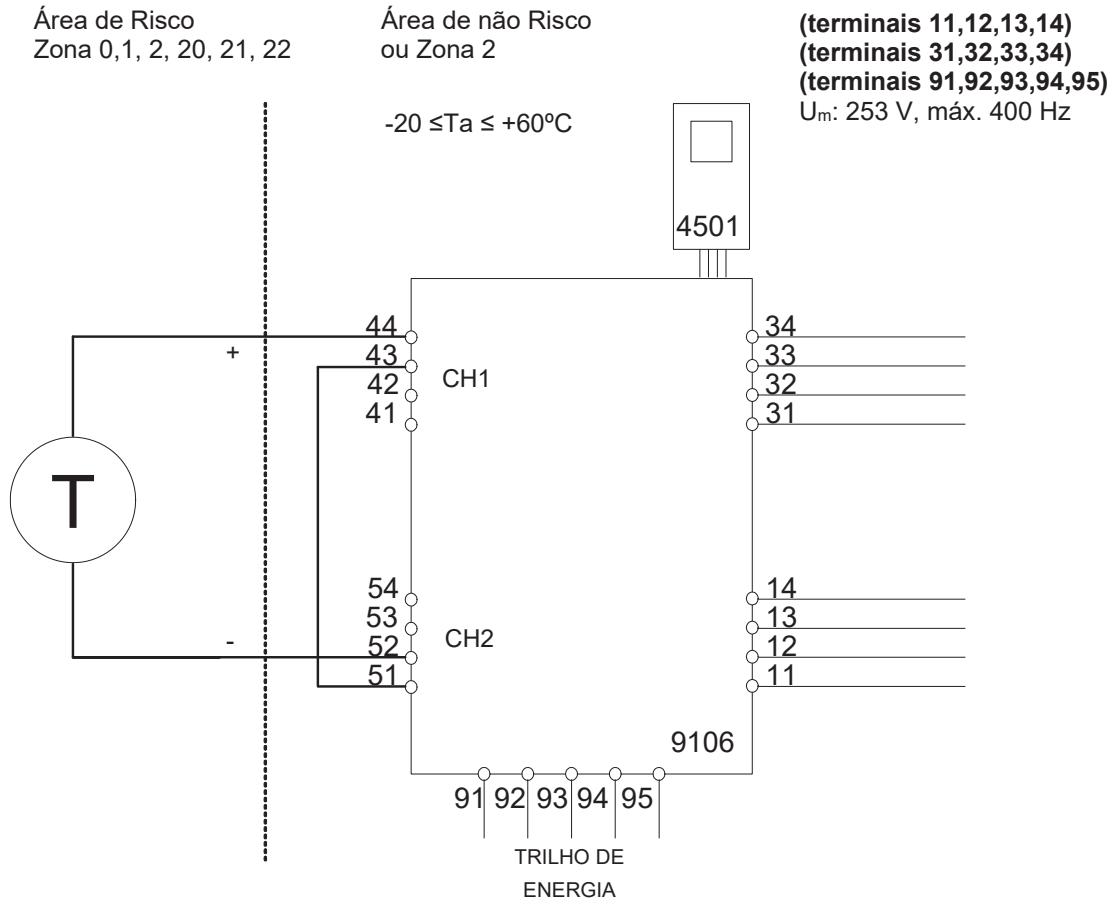
CN1 (terminal 41,42)

CN2 (terminal 51,52)

U_o : 0 V
 I_o : 0 mA
 P_o : 0 mW

U_i : 30 V
 I_i : 120 mA
 P_i : 0,85 W
 C_i : 2 nF
 L_i : 0 μH

LERBAKKEN 10, 8410 RØNDE DENMARK


9106B1A, 9106B1B
Entrada Ex: fonte de corrente da malha 1 e 2
CN1 (terminal 44)
CN2 (terminal 52)
 $U_o:$ 27,5 V

 $I_o:$ 92,6 mA

 $P_o:$ 0,64 W

9106B2A, 9106B2B
Entrada Ex: fonte de corrente da malha 1 e 2
CN1 (terminal 44)
CN2 (terminal 52)
 $U_o:$ 25,3 V

 $I_o:$ 96 mA

 $P_o:$ 0,61 W

	IIC	IIB	IIA	I
C_o	0,084 μ F	0,670 μ F	2,23 μ F	3,94 μ F
L_o	4,15 mH	16,59 mH	33,17 mH	54,42 mH
L_o/R_o	-----	223 μ H/ Ω	447 μ H/ Ω	733 μ H/ Ω

	IIC	IIB	IIA	I
C_o	0,104 μ F	0,818 μ F	2,85 μ F	4,74 μ F
L_o	3,86 mH	15,43 mH	30,86 mH	50,64 mH
L_o/R_o	-----	234 μ H/ Ω	468 μ H/ Ω	769 μ H/ Ω

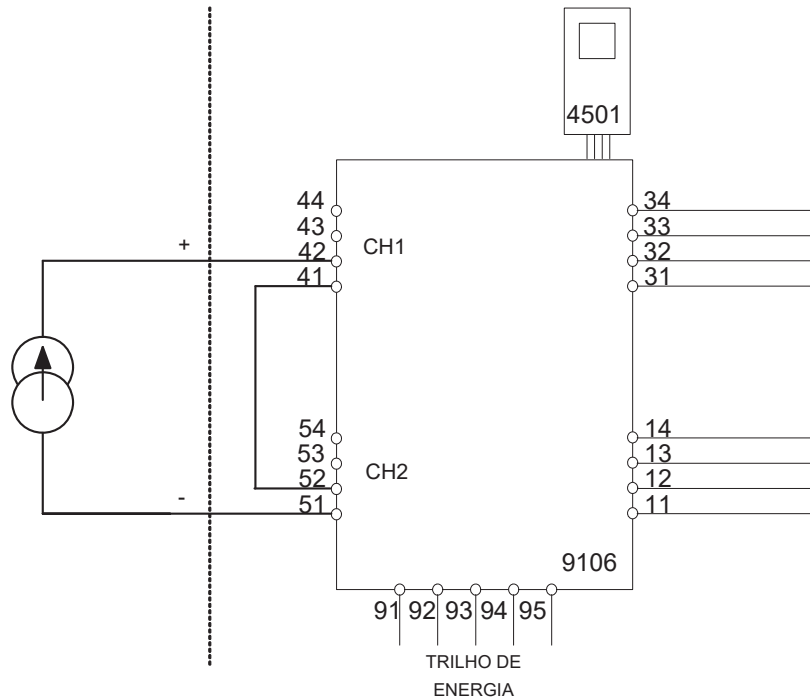
LERBAKKEN 10, 8410 RØNDE DENMARK

Área de Risco
Zona 0,1,2, 20, 21, 22

Área de não Risco
ou Zona 2

(terminais 11,12,13,14)
(terminais 31,32,33,34)
(terminais 91,92,93,94,95)
 U_m : 253 V, máx. 400 Hz

$-20 \leq T_a \leq +60^\circ\text{C}$



9106B1A, 9106B1B, 9106B2A, 9106B2B
Entrada Ex: Fonte de corrente externa 1 a 2

CN1 (terminal 42)

CN2 (terminal 51)

U_o : 0 V
 I_o : 0 mA
 P_o : 0 W

U_i : 30 V
 I_i : 120 mA
 P_i : 0,85 W
 C_i : 4 nF
 L_i : 0 μ H

Document history

The following list provides notes concerning revisions of this document.

Rev. ID	Date	Notes
105	1703	Installation drawings updated Ex barrier data changed Specifications for max. required power added

We are near you, *all over the world*

Our trusted red boxes are supported wherever you are

All our devices are backed by expert service and a 5-year warranty. With each product you purchase, you receive personal technical support and guidance, day-to-day delivery, repair without charge within the warranty period and easily accessible documentation.

We are headquartered in Denmark, and have offices and authorized partners the world over. We are a local

business with a global reach. This means that we are always nearby and know your local markets well. We are committed to your satisfaction and provide PERFORMANCE MADE SMARTER all around the world.

For more information on our warranty program, or to meet with a sales representative in your region, visit prelectronics.com.

Benefit today from *PERFORMANCE MADE SMARTER*

PR electronics is the leading technology company specialized in making industrial process control safer, more reliable and more efficient. Since 1974, we have been dedicated to perfecting our core competence of innovating high precision technology with low power consumption. This dedication continues to set new standards for products communicating, monitoring and connecting our customers' process measurement points to their process control systems.

Our innovative, patented technologies are derived from our extensive R&D facilities and from having a great understanding of our customers' needs and processes. We are guided by principles of simplicity, focus, courage and excellence, enabling some of the world's greatest companies to achieve PERFORMANCE MADE SMARTER.