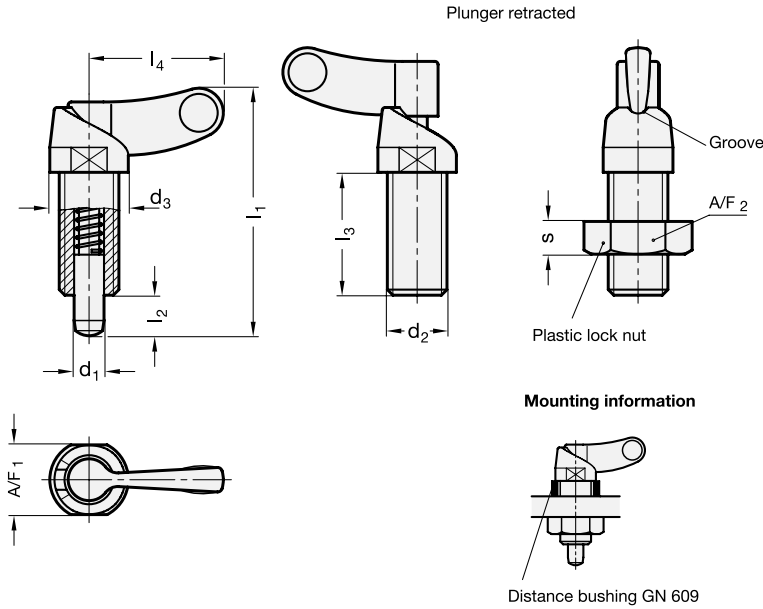


2.1  
2.2  
2.3  
2.4  
2.5  
2.6  
2.7  
2.8  
2.9



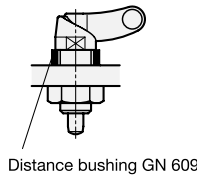
ELESA original design PMT.200



**3 Type**

- A** without lock nut
- AK** with lock nut

**Mounting information**



1 <b>d<sub>1</sub></b> Plunger <sup>-0,1</sup> / <sub>-0,15</sub> Bore -0,08	2 <b>d<sub>2</sub></b>	<b>d<sub>3</sub></b>	<b>l<sub>1</sub> ≈</b>	<b>l<sub>2</sub></b>	<b>l<sub>3</sub></b>	<b>l<sub>4</sub></b>	<b>s</b>	<b>A/F<sub>1</sub></b>	<b>A/F<sub>2</sub></b>	max. tightening torque in Nm	Spring load in N ≈	
											initial	end
6	M 12 x 1,5	15,5	51	8	26	26,5	8	14	19	10	9	35
8	M 16 x 1,5	20,5	61	10	30	32,5	10	19	24	18	10	40

**Specification**

- Guide (Threaded body)  
Plastic (Polyamide PA)  
- glass fibre reinforced  
- temperature resistant up to 130° C  
- black, matt
- Plunger  
- Steel **ST**  
hardened, blackened  
- Stainless Steel **NI**  
German Material No. 1.4305
- Spring  
Stainless Steel  
German Material No. 1.4319
- Latch  
Plastic (Polyamide PA)  
- black, matt  
- not removable
- Lock nut  
Plastic (Polyamide PA)  
black, matt
- RoHS compliant



**Information**

Cam action indexing plungers GN 672 are used in cases where the locking pin must not protrude all the time. By rotating the lock through 180° the locking pin withdraws itself. A notch keeps the plunger in this position.

The cam action indexing plungers with plastic guide are a reasonably priced version.

see also...

- Mounting blocks GN 612.1
- Mounting blocks GN 412.1
- Distance bushings GN 609 / GN 609.5
- Flat Stainless Steel-Hexagonal nuts GN 909.5

**How to order**

1	<b>d<sub>1</sub></b>
2	<b>d<sub>2</sub></b>
3	<b>Type</b>
4	<b>Material</b>

**GN672-6-M12x1,5-AK-ST**