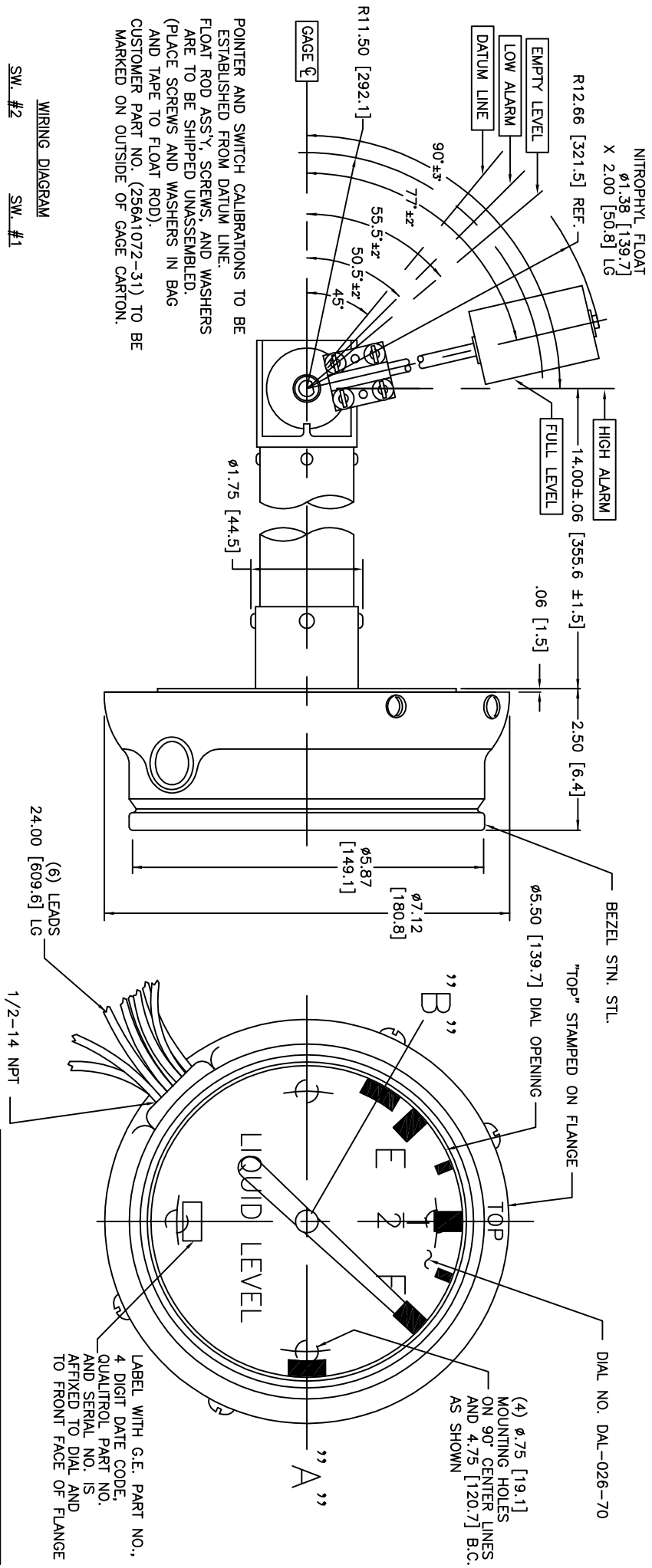


NOTICE
 THIS DRAWING IS THE PROPERTY OF QUANTROL CORPORATION AND IS LOANED ONLY ON THE CONDITION THAT IT WILL BE USED TO SPECIFY THE PURPOSE FOR WHICH INTENDED AND NOT FOR ANY OTHER PURPOSE. QUANTROL CORPORATION SHALL BE RESPONSIBLE FOR THE DESIGN AND CONSTRUCTION OF THE PART FOR FURNISHING INFORMATION RELATIVE TO THE MAKING OF DRAWINGS, PARTS OR APPARATUS OR PARTS THEREOF, EXCEPT BY WRITTEN ORDER FROM QUANTROL CORPORATION.

MODEL NO. **042-017**

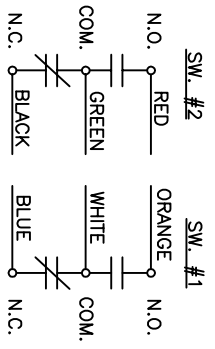
DIMENSIONS SHOWN IN INCHES [MILLIMETERS] AND ALL DIMENSIONS FOR REFERENCE ONLY
 CASE ASSEMBLY: MUST BE SEALED AGAINST DUST AND MOISTURE
 DIAL: BLACK CHARACTERS ON A WHITE BACKGROUND
 POINTER: BLACK

LENS: ACRYLIC CRYSTAL
 CASE: ALUMINUM, PAINTED ASA 70 LIGHT GRAY EPOXY
 FLANGE: ALUMINUM



POINTER AND SWITCH CALIBRATIONS TO BE ESTABLISHED FROM DATUM LINE. FLOAT ROD ASS'Y, SCREWS, AND WASHERS ARE TO BE SHIPPED UNASSEMBLED. (PLACE SCREWS AND WASHERS IN BAG AND TAPE TO FLOAT ROD). CUSTOMER PART NO. (256A1072-31) TO BE MARKED ON OUTSIDE OF GAGE CARTON.

WIRING DIAGRAM



ON LOWERING LEVEL, SWITCH #2 TO OPERATE AT "B" ±.2" (GREEN CLOSSES ON RED). ON RISING LEVEL, SWITCH #1 TO OPERATE AT "A" ±.2" (WHITE CLOSSES ON ORANGE).

QUALITROL SWITCH RATING
 15 AMP @ 125, 250, 480 V.A.C.
 1/2 AMP @ 125 V.D.C. - NON INDUCTIVE
 1/4 AMP @ 250 V.D.C. - NON INDUCTIVE
INSULATION TEST:
 1500 VOLTS TO GROUND FOR 60 SECONDS

REVISION	PART NO.	DESCRIPTION
22946	042-017-01	COMPLETE GAGE
6-3-02		
22946	042-017-02	CASE ASS'Y
6-3-02		
22946	042-017-03	FLANGE & DRIVE ASS'Y
6-3-02		
22946	042-017-04	FLOAT ROD ASS'Y
6-3-02		

-	6-3-02	FLOAT GEARING CHANGED: REDRAWN ON CAD	22946
D	10-22-92	ADD LABEL & NOTE; REV INK STAMP NOTE	15591
LET	DATE	ALTERATION	C.N.

QUALITROL CORPORATION
 PH. (585) 586-1515
 FAX (585) 377-0220
 1385 FAIRPORT ROAD
 FAIRPORT, NY 14450
 FORM 0-473 REV.D 10/22/02

TITLE: **6" LEVEL GAGE - GEAR TYPE**
 MODEL NO. **042-017**



DIMENSIONS AND TOLERANCES IN ACCORDANCE WITH ASME Y14.5M-1994