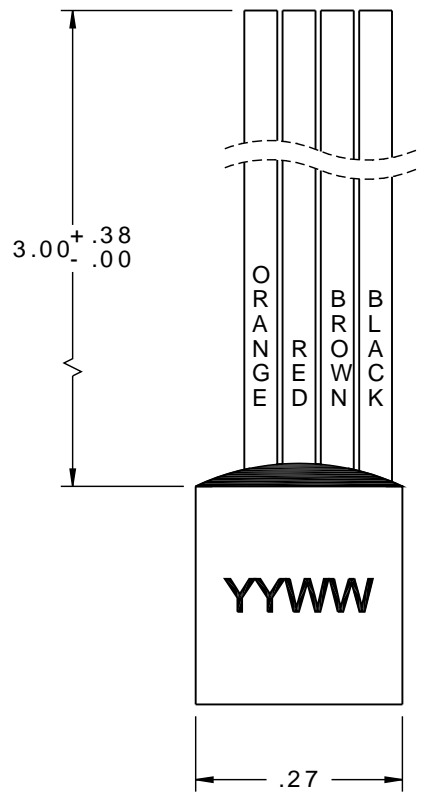
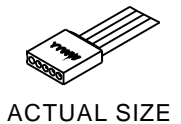


PART NO.	A100889-001	REV	ECO	DATE	APP
		1			

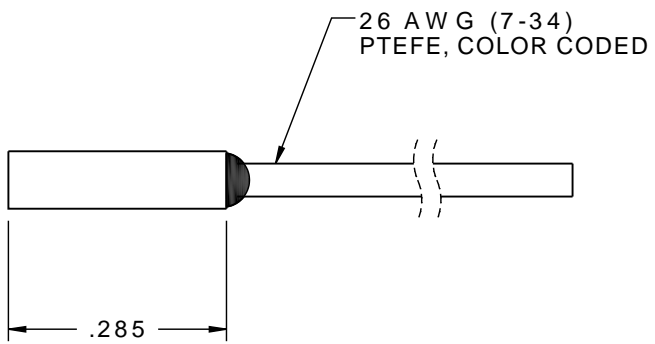
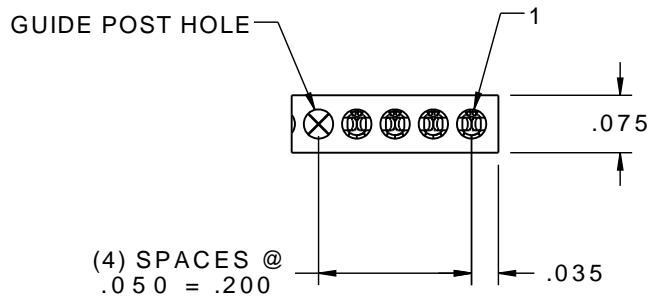


PIN #	COLOR
1	BLACK
2	BROWN
3	RED
4	ORANGE



Drawing Approval \_\_\_\_\_

Date \_\_\_\_\_



REF: ASELSAN

PST DIMS	THIRD ANGLE	THIS DRAWING CONTAINS CONFIDENTIAL AND PROPRIETARY INFORMATION WHICH IS THE PROPERTY OF OMNETICS CONNECTOR CORPORATION. THIS DOCUMENT MAY NOT, IN WHOLE OR IN PART, BE DUPLICATED, OR DISCLOSED FOR ANY PURPOSE, WITHOUT WRITTEN PERMISSION FROM OMNETICS CONNECTOR CORP.		 CONNECTOR CORPORATION 7260 COMMERCE CIRCLE EAST MINNEAPOLIS, MN 55432 WWW.OMNETICS.COM	CAGE CODE 61873	
	-TOLERANCES- UNLESS OTHERWISE NOTED DIMENSIONS IN INCHES	DFTM. TLM DATE 09-13-11	TITLE: (4) PIN MALE SINGLE ROW CONNECTOR W/GUIDE POST HOLE		DWG NO. A100889-001	
	2 PL DEC ± .01 3 PL DEC ± .005 4 PL DEC ± .0005 ANGLES ± 1°	CHK'D. DATE	APP'D. DATE		SHEET 1 OF 1	REV 1
					SCALE: 4:1	