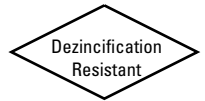


Bronze Ring Check® Valve

Inline Lift Type • Resilient Discs • Spring Actuated



125 PSI/9 Bar Saturated Steam (PTFE Disc only)
200 PSI/14 Bar Non-Shock Cold Working Pressure

MATERIAL LIST

PART	SPECIFICATION
1. Body	Bronze ASTM B 584 Alloy C84400
2. Stem	Stainless Steel ASTM A 582 Alloy C30300
3. Spring	316 Stainless Steel
4. Disc Holder	Stainless Steel Type 301
5. Disc	Buna-N
6. Seat Screw	Stainless Steel ASTM A 276 Alloy S43000
7. Body End	Bronze ASTM B 584 Alloy C84400



T-480
Threaded

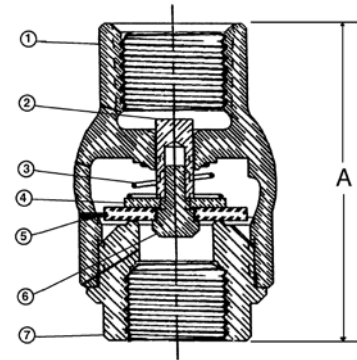


S-480
Solder

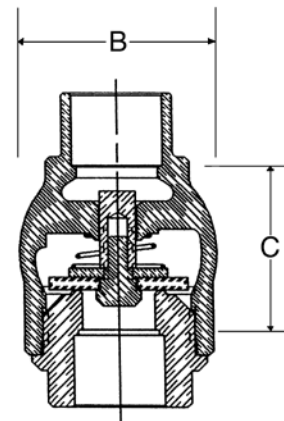
DIMENSIONS—WEIGHTS

Size	Dimensions						T-480		S-480		
	A		B		C		In.	mm.	Lbs.	Kg.	
3/8	10	2.00	51	1.38	35	1.44	37	0.41	10	0.44	0.20
1/2	15	2.06	52	1.38	35	1.19	30	0.36	9	0.40	0.18
3/4	20	2.25	57	1.63	41	1.31	33	0.48	12	0.52	0.24
1	25	2.63	67	2.00	51	1.50	38	0.77	29	0.85	0.39
1 1/4	32	2.94	75	2.38	60	1.69	43	1.14	25	1.28	0.58
1 1/2	40	3.31	84	2.75	70	2.00	51	1.63	41	1.75	0.79
2	50	3.69	94	3.38	86	2.31	59	2.27	58	2.70	1.23

Ordering: The T-480 and S-480 both have standard Buna-N Discs.
Also available with PTFE (Y) Discs; specify T-480-Y or S-480-Y.
Note: 3/8" thru 2" require 1/2 pound pressure to open.



T-480
NPT x NPT



S-480
Cup x Cup

NOT FOR USE WITH POTABLE DRINKING WATER APPLICATIONS AFTER JANUARY 3, 2014.