

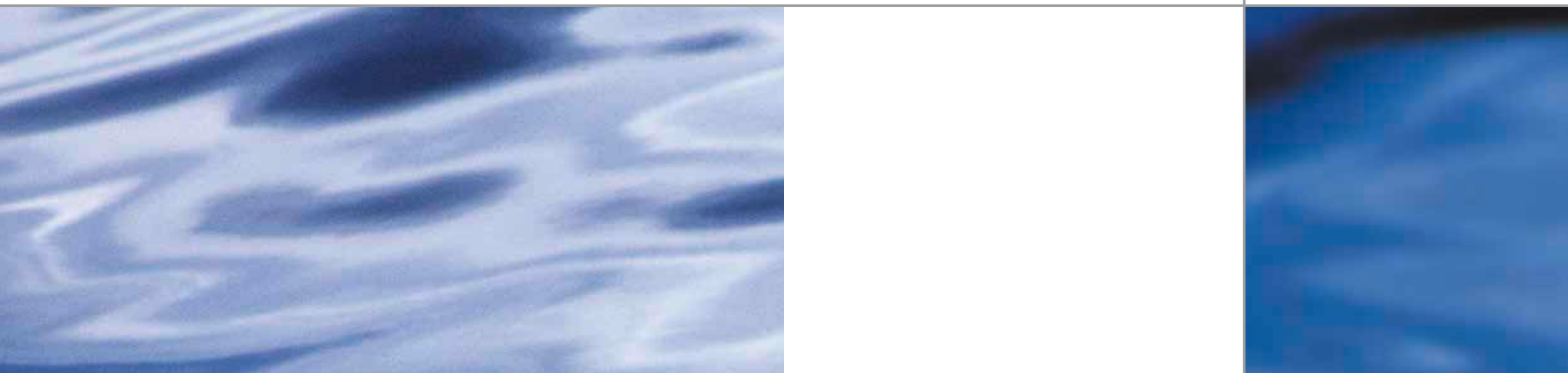


More than just pumps



drum and
container pumps

FLUX pumps: Perfection in pumping



Do you want to transfer differing liquids quickly and economically?

Do you want to measure out varying quantities?

Do you want to ensure total safety for the operator or the environment when pumping hazardous products?

Do you want a pump which can cope even with peak loadings?

Drum and Container pumps are used in almost every sector of the processing and manufacturing industries.

Initially designed for decanting and transfer operations of differing liquids from drums and containers, current production time scales are now requiring these pumps to be used on applications with extended run times and frequent stopping and starting.

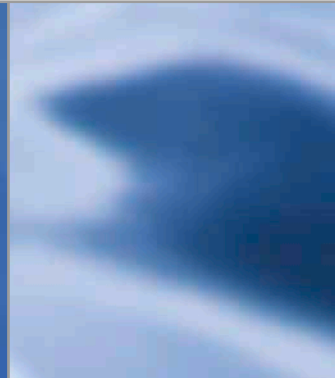
Whenever liquids are pumped out of a drum or container, FLUX can supply a unit of unsurpassed quality: all FLUX pumps are available in different materials. You can choose between a pump with a mechanical seal or a sealless version. One of the unique features of both, the polypropylene and the PVDF mechanical seal version, is the steel cored inner tube providing, through increased lateral stability, a longer service life. Both, mixed centrifugal and axial impellers are available to suit differing head and flow applications. And if you want to combine the pumping and mixing operation FLUX also have the pump you need.

Another feature is the FLUX quick assembly system. This allows for simple and speedy pump strip down.

Of course, FLUX pumps require a powerful and reliable drive motor. A wide range of electric or compressed air motors provides a matched power unit throughout the pump range – even in hazardous locations or when pumping highly flammable liquids. To complete the comprehensive FLUX program, a wide range of top class accessories is available – from protection against emission of noxious vapours through to the volumetric measurement of liquids.



For further information to our pre-configured drum-pump kits see our brochure FLUX pump kits



Which material goes best with which liquid	4
Design concepts of FLUX drum and container pumps	5 – 9
FLUX drum pumps (pump tube sets) in stainless steel (S), aluminium alloy (AL) and Hastelloy C (HC) in detail, together with performance charts	10 – 13
FLUX drum pumps (pump tube sets) in polypropylene (PP) and polyvinylidene fluoride (PVDF) in detail, together with performance charts	14 – 17
FLUX container pump (pump tube set) in polypropylene (PP) in detail, together with performance chart	18
FLUX drum and container pumps for horizontal use FLUX quick action coupling	19
FLUX motor data in detail	20 – 27
Summary of FLUX motor – pump combination	28 – 29
Outline of FLUX drum and container pumps with accessories	30 – 31
Dimensions of FLUX drum pumps and drive motors	32 – 34

FLUX drum and container pumps – which material goes best with which liquid

stainless steel 1.4571/316 Ti (S) up to 100 °C

For all neutral, non-flammable, thin liquids, as well as flammable liquids in Zone 0* (max. 40 °C Media-/ ambient temperature).

Examples of suitable liquids: acetone, alcohol, ammonia, petrol, flammable solvents, nitrocellulose varnishes, perchlorethylene, trichlorethylene, toluene, potassic alkali, soda alkali, phosphoric acid (up to 60%), sulphuric acid (up to 7,5% and more than 96%), fruit juices, milk, salad oil and all liquids listed for aluminium alloy.

hastelloy C (HC) up to 120 °C

For highly flammable media (max. 40 °C Media- / ambient temperature), aggressive fluids. Suitable for use in Zone 0*.

Examples of suitable liquids: hydrofluoric acid, aqua regia, oleum, hydrochloric acid (up to 30%), sulphuric acid, various mixed acids and all liquids listed for aluminium alloy and stainless steel.

aluminium alloy AlMg5 (AL) up to 100 °C

Suitable for neutral, hardly flammable liquids.

Examples of suitable liquids: drilling emulsion, diesel oil, fuel oil, hydraulic oil, non-flammable solvents, liquid soap, liquid wax, water.

polypropylene (PP) up to 50 °C

Suitable for both, chemically aggressive and neutral liquids, together with hardly flammable liquids such as acids and alkalis.

Examples of suitable liquids: formic acid, ammonia, boric acid, chromic acid (up to 10%), liquid fertilizers, acetic acid, photo developers, hydrofluoric acid (up to 70%), fruit acids, potassic alkali, copper chloride, lactic acid, soda alkali, phosphoric acid, hydrochloric acid, sulphuric acid (up to 80%), distilled water.

polyvinylidene fluoride (PVDF) up to 80 °C

Suitable for both, chemically aggressive and neutral liquids, together with hardly flammable liquids such as acids and alkalis.

Examples of suitable liquids: hydrobromic acid, chromic acid, chloric acid, hydrofluoric acid, sodium hypochlorite, nitric acid (up to 75%), sulphuric acid and all liquids listed for polypropylene (except soda alkali).



*Zone 0

Area in which a hazardous and explosive atmosphere of gases, vapours or fogs exists permanently or for a long period of time. In general such conditions exist inside of drums or containers only.

The drum pumps mentioned below were tested and certified according to the ATEX Directive 94/9/EC (valid until 20.04.16) and ATEX Directive 2014/34/EU (valid from 20.04.16), at the PTB as notified body. They correspond to the category 1/2, so they are suitable for Ex applications in zone 0 (max. 40 °C Media-/ ambient temperature).

FP 424 S, FP 425 S

Ex-marking: II 1/2 G c IIB T4

F 426 S, F 430 S, F 430 HC

Ex-marking: II 1/2 G IIB T4

In selecting a pump model, please always check material of pump and material of seals for compatibility.

Due to the enormous variety and complexity of industrial chemicals, together with the range and variation of FLUX products, we can only list some of all the suitable liquids. But we would be glad to send you a detailed Resistance Chart.

A FLUX drum pump is always a "Two-Component-Team" consisting of a drive motor and a pump (tube set). Both component parts are universally interchangeable. For further details please see page 10 onwards.

The sealless FLUX F 424



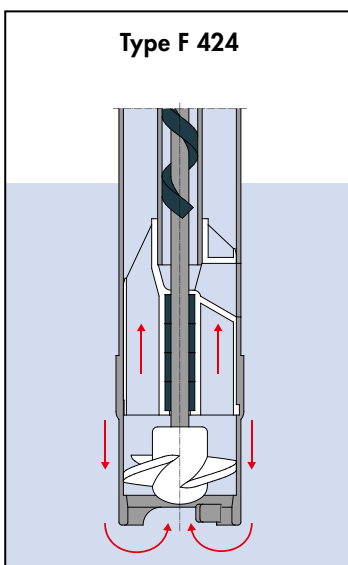
The liquids to be pumped are abrasive, but they do not leave any deposits. Dry running of the pump must not cause any problems. You are looking for a lightweight, general purpose pump in stainless steel, polypropylene or polyvinylidene fluoride.

The inner tube supports the pump shaft, which is lubricated by the liquid. The level of the liquid in the inner tube always corresponds to that in the drum or container.

Special advantages:

- Safe dry running of the pump
- No wearing of seals
- The liquid being pumped is not contaminated by the shaft lubricant
- Inner tube and helix shaped support bearings completely self-draining

Here a FLUX pump in sealless version is your pump.



Flexible coupling between motor and pump

O-ring to seal between inner and outer tube (not in the liquid section)

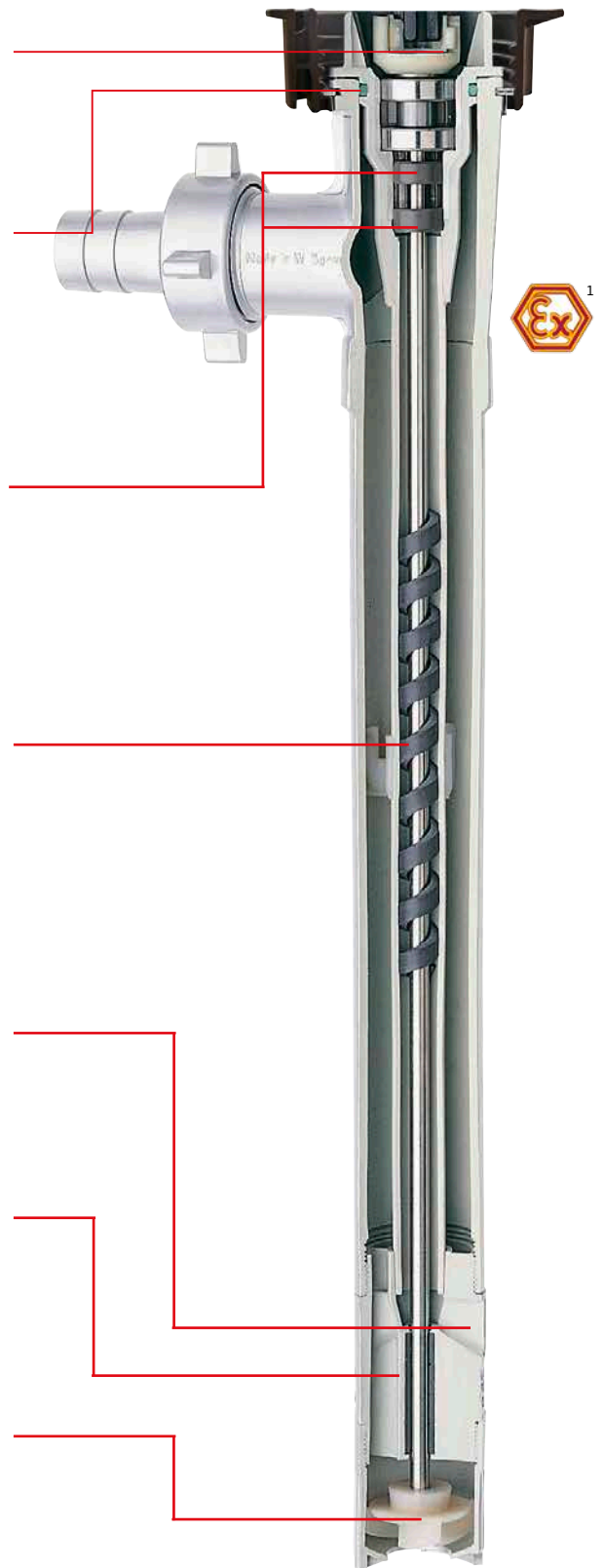
Radial shaft seals to prevent liquid and/or vapours entering the coupling area

Non-metallic helix shaped shaft support bearing

Pressure relief ports

Bottom bearing assembly which centers the shaft within the inner tube

Impeller in ETFE



The FLUX F 430 with mechanical seal

Flexible coupling between motor and pump

Steel cored inner tube in PP and PVDF provides the ultimate in stability. This core prevents elongation of the plastics at high temperatures. This results in an extended service life of the mechanical seal

Packaging of the mechanical seal and rotary shaft seal adjacent to each other ensures the maximum integrity of the sealed inner tube

Impeller in ETFE



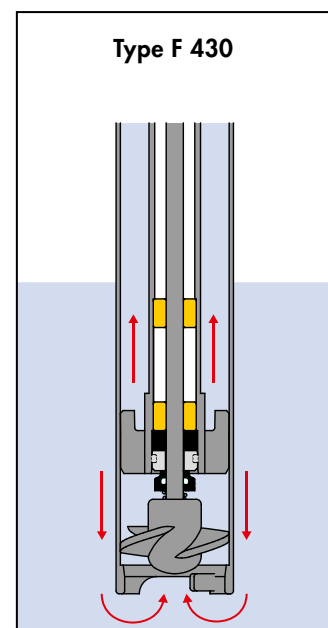
The pump must be used with many varying liquids, consequently the smallest residual left within the pump is unacceptable. You want to pump adhesive substances like paints or liquids which tend to crystallize or harden.

The inner tube houses the shaft. It is sealed at the bottom by a mechanical seal through which the shaft passes. Consequently the shaft does not come into contact with the liquid except for the small section between the impeller and seal.

Special advantages:

- The shaft support bearings are isolated from the liquid
- Steel cored inner tube in PP and PVDF pumps. This prevents elongation of the plastics, even at high temperatures
- Extended service life through well proven seal design

Here a FLUX pump with mechanical seal is the best choice.



¹ Products complying with EC 1935/2004 and EU 10/2011 available

² Explosion proof versions available

The FLUX F 425 for emptying drums up to 99,98 %



Flexible coupling
between pump and
motor

Operating levers
to close/open
the flowback stop valve

Packaging of the
mechanical seal and
rotary shaft seal adjacent
to each other ensures the
maximum integrity of the
sealed inner tube

Impeller in ETFE

Flowback stop valve



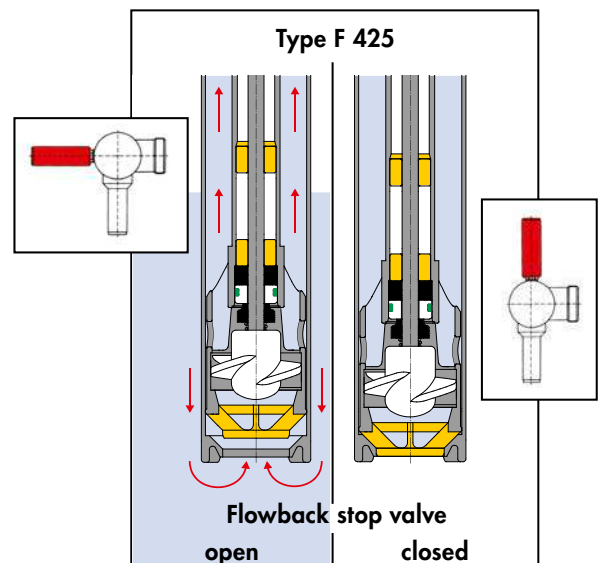
You are not prepared to accept any residual liquid in the drum in order to avoid problems and costs of disposal or to avoid losing high value liquids.

Before the motor is switched off, the flowback stop valve at the pump inlet must be closed by operating the lever. This prevents the liquid flowing back into the empty drum.

Special advantages:

- Especially easy operating of the pump
- Optimum use of the liquids
- Remains of less than 0,05 l

Here the FLUX F 425 for emptying drums up to 99,98 % is your pump.



The FLUX mixing pump F 426

Flexible coupling
between pump and
motor

Adjusting lever to set
the pump to mixing or
discharge

Mixing openings

Packaging of the mechanical
seal and rotary shaft seal
adjacent to each other ensures
the maximum integrity of the
sealed inner tube

Impeller in ETFE



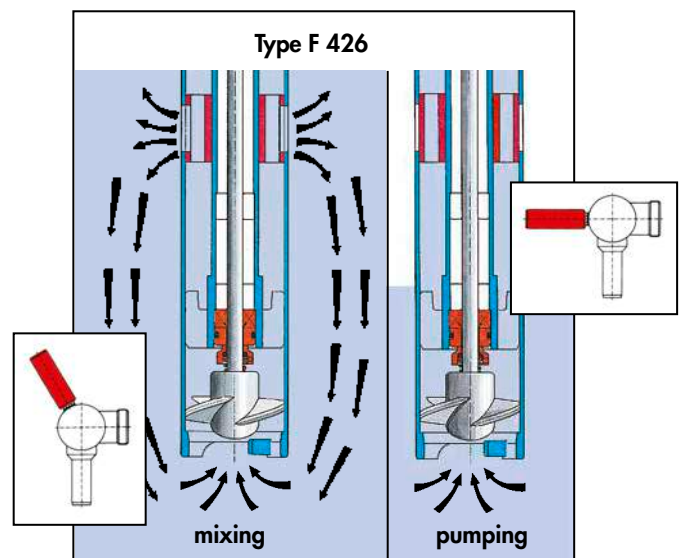
You want to mix and pump
liquids within a closed drum or
an open container.

By turning the adjusting lever, the
pump can either mix or pump.
Liquids can also be mixed even
when being transferred to
another container.

Special advantages:

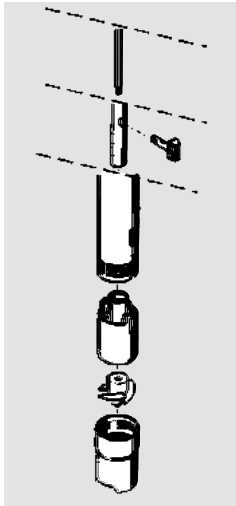
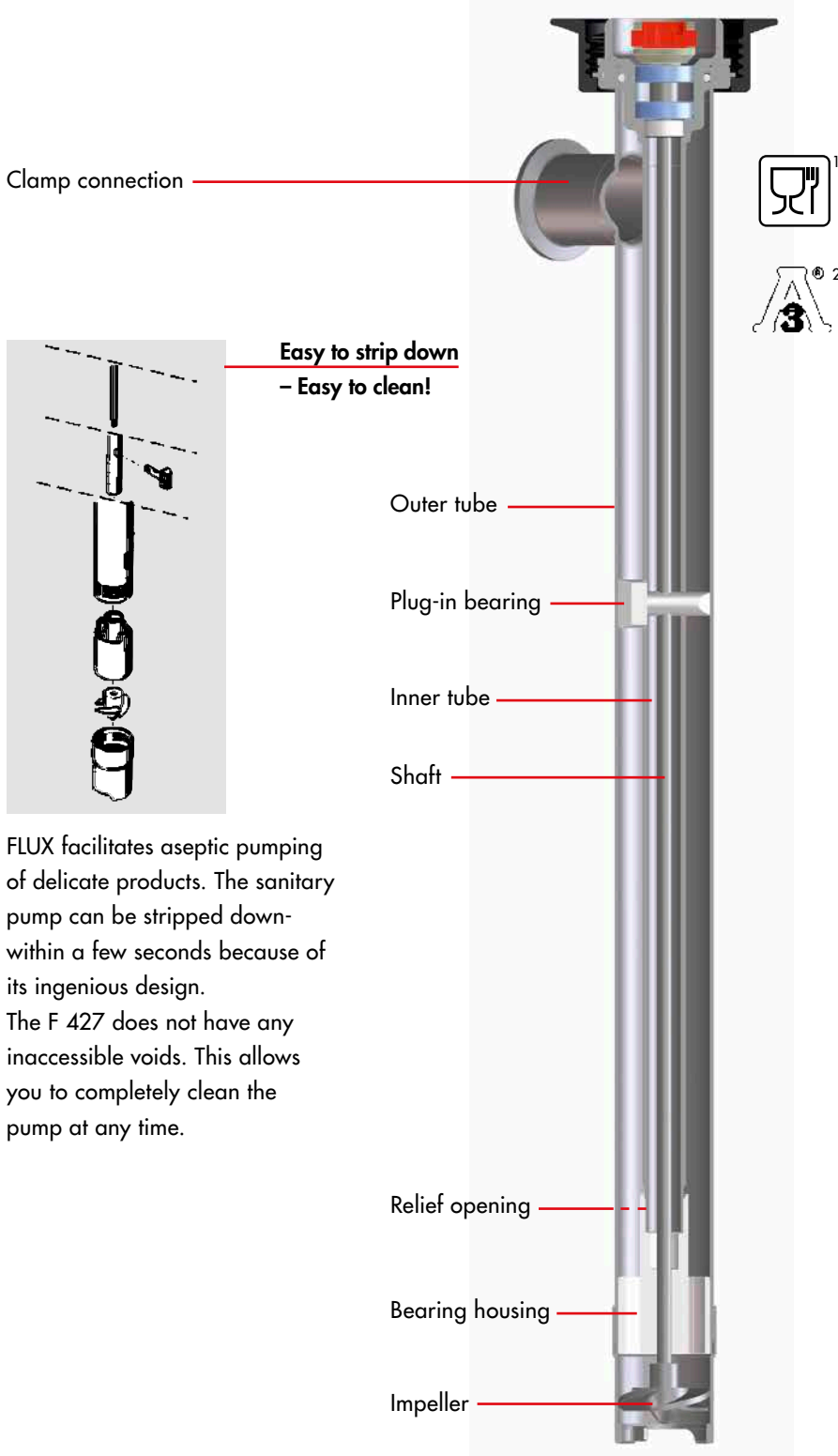
- No changes in the outer diameter of the pump tube in stainless steel as the pump works without any additional components
- Light and handy design
- Pump/drum connection glands are also in vapour-proof version available

Here the FLUX mixing pump is
the right pump for you.



Explosion proof versions available

The FLUX F 427 can be taken apart completely



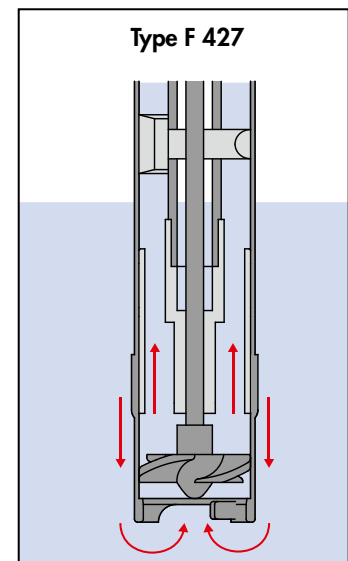
FLUX facilitates aseptic pumping of delicate products. The sanitary pump can be stripped down within a few seconds because of its ingenious design. The F 427 does not have any inaccessible voids. This allows you to completely clean the pump at any time.

You want a safe pumping of food, cosmetic or pharmaceutical products. The operating conditions require an easy and quick cleaning or sterilization of the pump at regular intervals to avoid any contamination of the product, e.g. when pumping varying liquids or different colours as well as quick-drying or film forming liquids.

Special advantages:

- All wetted parts are made of stainless steel, PTFE or ETFE
- The pump can be quickly stripped down for cleaning or sterilization
- Negligible wear by friction on seals and bearings

Here a FLUX sanitary pump is your pump.



¹ Products complying with EC 1935/2004 and EU 10/2011 available

² 3A-certified products available

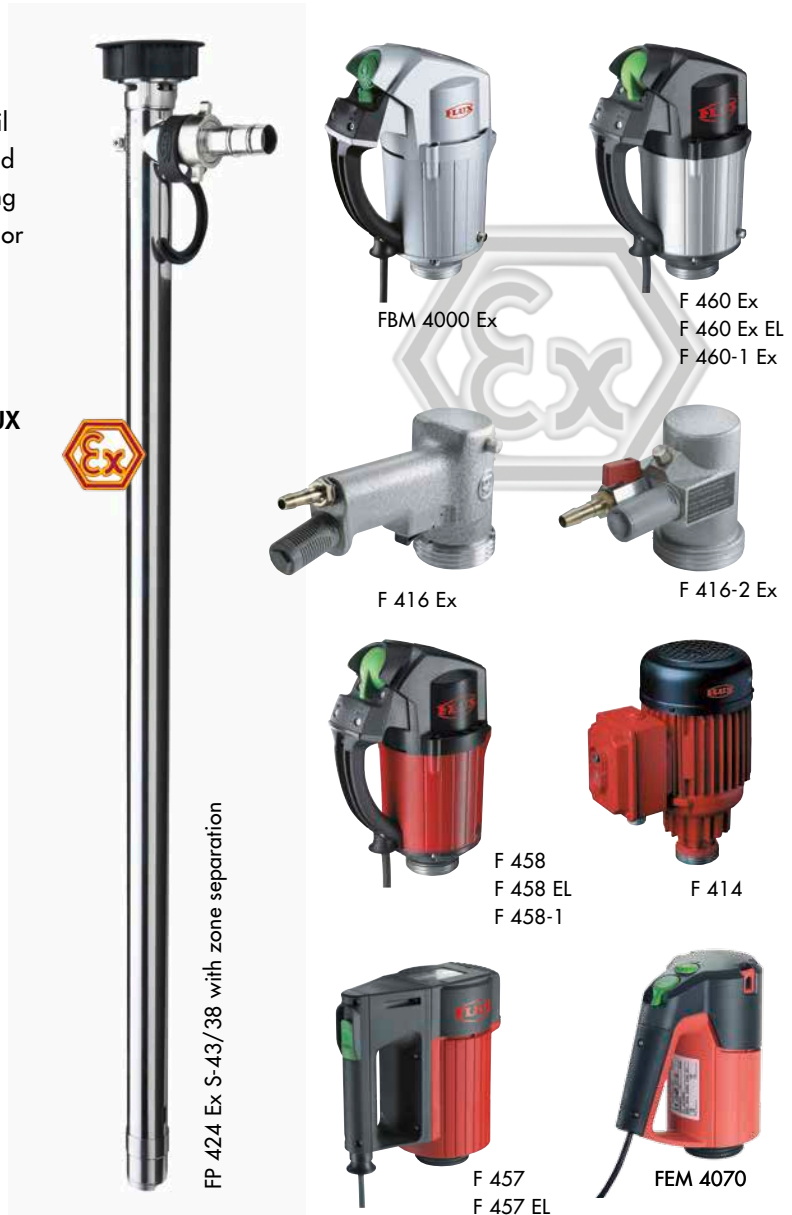
FLUX drum pumps in stainless steel

FLUX drum pumps in stainless steel 316 Ti – except sanitary pump F 427 S – are approved according to ATEX Directive 94/9/EC (valid until 20.04.16) and ATEX Directive 2014/34/EU (valid from 20.04.16) for use in Zone 0, for transferring highly flammable liquids out of portable drums or containers.

With the help of the performance charts you can compare the delivery rates achieved by each pump model powered by the various FLUX motors. Detailed motor data are shown on pages 21 to 29.

When using the pump with a discharge hose (of approx. 2 m) and a quick action tap, the delivery rate will be approx. 70 l/min. Depending on the motor type a 200 l drum can be emptied within 3 – 4 minutes. The delivery rates shown in the performance charts are obtained at the outlet connection of the pump.

Special version for horizontal use on request.

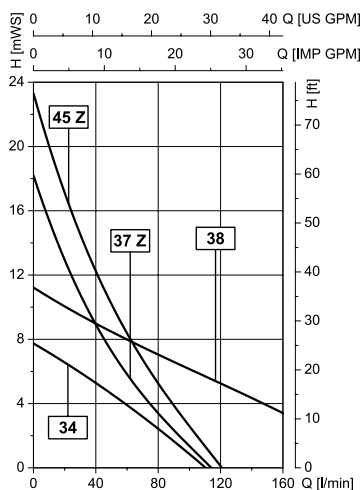


↗ This pump version will achieve a higher delivery rate!

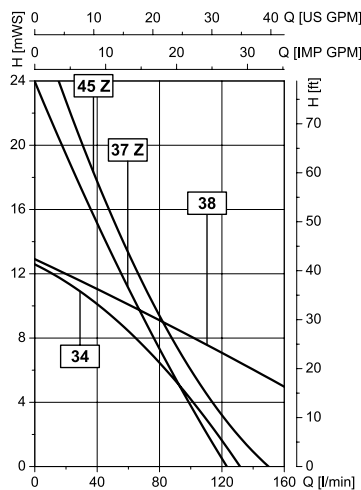
↗ This pump version will achieve a higher delivery head!

Max. viscosity per pump and motor, please see pages 28 and 29.

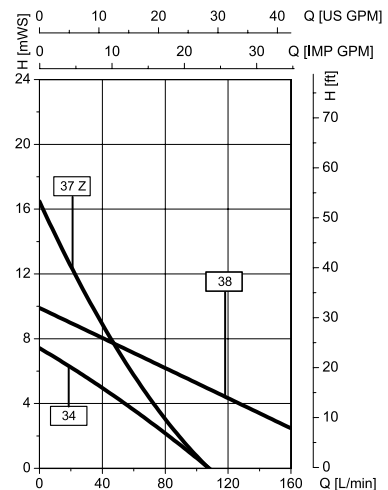
motor FBM 4000 Ex



motor F 416 Ex, F 416-1 Ex or F 416-2 Ex



motor FEM 4070

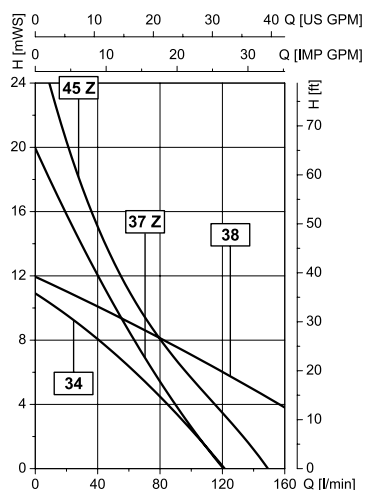


drum pump (tube set) in stainless steel, thread on outlet G 1¼ male, motors on page 21

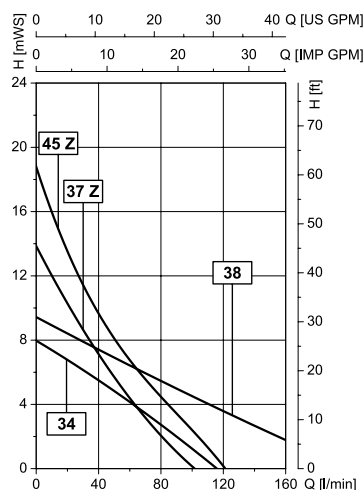
type/curve	FP 424 Ex S-43/38 ¹	FP 424 Ex S-43/37 Z ¹	FP 424 Ex S-50/45 Z ¹
version	↗	↗	↗
seal type	sealless within the liquid section		
material	shaft in stainless steel 316 Ti, impeller in ETFE, o-ring in FKM		
media-/ambient temperature	max. 100 °C (Ex-application max. 40 °C)		
outer-Ø	41 mm (foot piece 43 mm)	41 mm (foot piece 43 mm)	50 mm
part no. / weight			
immersion length 700 mm	424 22 007 / 2,2 kg	424 22 107 / 2,2 kg	424 22 207 / 3,0 kg
immersion length 1.000 mm	424 22 010 / 2,9 kg	424 22 110 / 2,9 kg	424 22 210 / 4,0 kg
immersion length 1.200 mm	424 22 012 / 3,3 kg	424 22 112 / 3,3 kg	424 22 212 / 4,8 kg
type/curve	FP 425 Ex S-41/34 ^{1,2}	F 426 S-41/38	F 427 S3-43/38
version	99,98 % drum emptying	mixing pump	sanitary pump
seal type	mechanical seal in ceramic oxide, PTFE/carbon, o-rings in FKM		sealless within the liquid section
material	shaft in stainless steel 316 Ti, seal in FKM, impeller in ETFE		shaft in stainless steel 316 Ti, impeller in ETFE, o-ring in FKM
media-/ambient temperature	max. 100 °C (Ex-application max. 40 °C)		
outer-Ø	41 mm	41 mm	41 mm (foot piece 43 mm)
part no. / weight			
immersion length 700 mm	425 22 008 / 3,0 kg	-	427 20 307 / 2,2 kg
immersion length 1.000 mm	425 22 011 / 3,8 kg	426 20 010 / 3,8 kg	427 20 310 / 2,9 kg
immersion length 1.200 mm	425 22 013 / 4,4 kg	426 20 012 / 4,4 kg	427 20 312 / 3,3 kg
type/curve	F 430 S-41/38	F 430 S-41/37 Z	F 430 S-50/45 Z
version	↗	↗	↗
seal type	mechanical seal in ceramic oxide, PTFE/carbon, o-rings in FKM		
material	shaft in stainless steel 316 Ti, seal in FKM, impeller in ETFE		
media-/ambient temperature	max. 100°C (Ex-application max. 40°C)		
outer-Ø	41 mm	41 mm	50 mm
part no. / weight			
immersion length 700 mm	430 20 107 / 2,4 kg	430 20 407 / 2,4 kg	430 20 207 / 3,4 kg
immersion length 1.000 mm	430 20 110 / 3,0 kg	430 20 410 / 3,0 kg	430 20 210 / 4,5 kg
immersion length 1.200 mm	430 20 112 / 3,6 kg	430 20 412 / 3,6 kg	430 20 212 / 5,2 kg
accessories	hose connection complete with nut G 1¼ female DN 19 part no. 959 04 061		DN 25 part no. 959 04 041

Pump models in immersion lengths of 200 – 3000 mm (in steps of 100 mm) on request ² Model for higher delivery head on request.

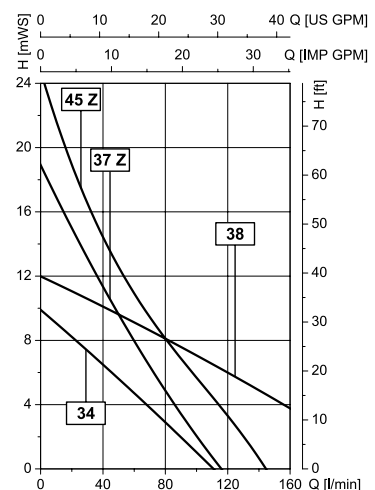
motor F 457 or F 457 EL



motor F 458, F 458 EL, F 460 Ex or F 460 Ex EL



motor F 458-1 or F 460-1 Ex



¹ with zone separation

Values ± 10% with water (20°C) and a voltage of 230 Volt.

FLUX drum pumps in aluminium alloy and hastelloy C

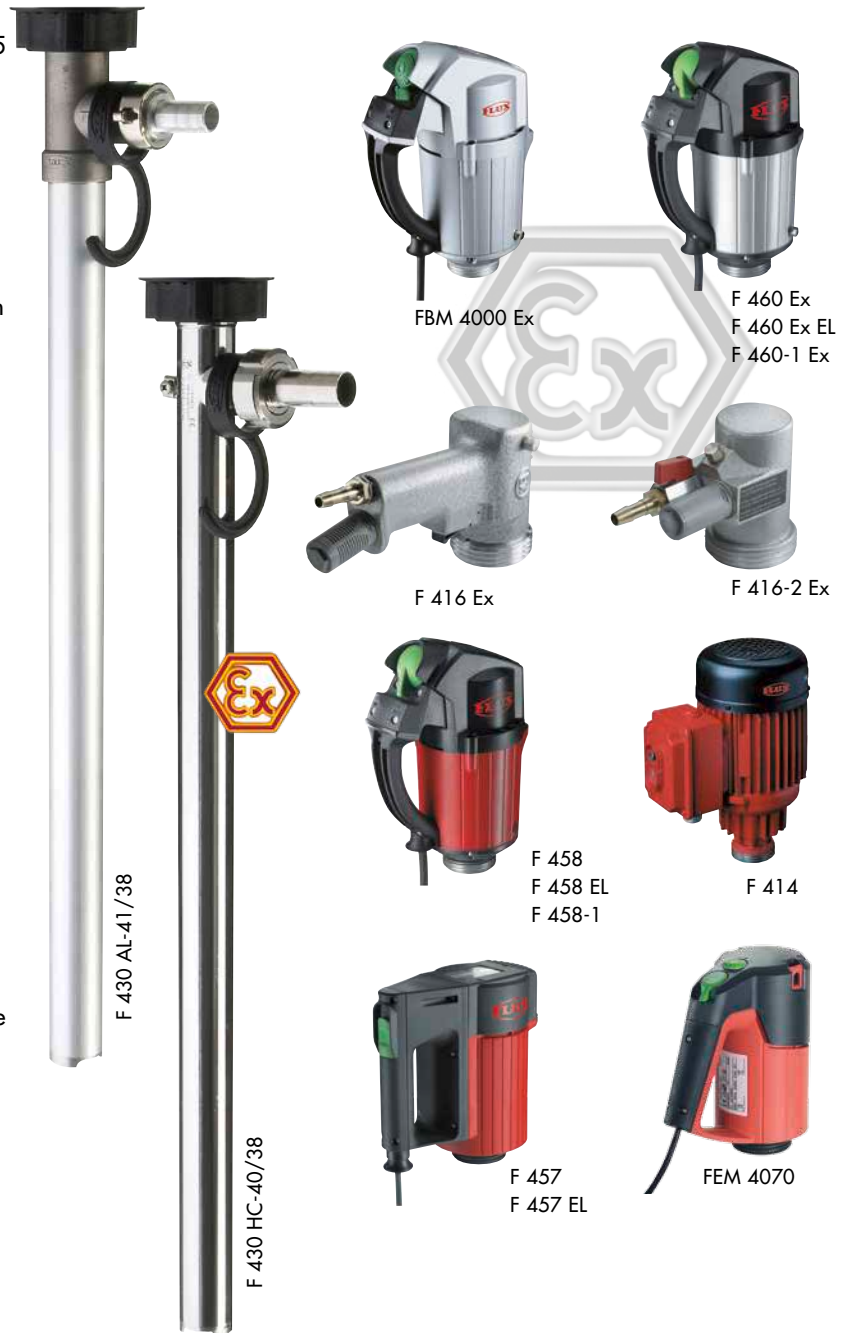
FLUX drum pumps in aluminium alloy AlMg5 are suitable for transferring neutral, hardly flammable liquids.

FLUX drum pumps in hastelloy C are approved according to ATEX Directive 94/9/EC (valid until 20.04.16) and ATEX Directive 2014/34/EU (valid from 20.04.16) for use in Zone 0, for transferring highly flammable liquids out of portable drums or containers. In addition, hastelloy C is chemically resistant to most of acids and alkalis, allowing the most universal use of this pump type.

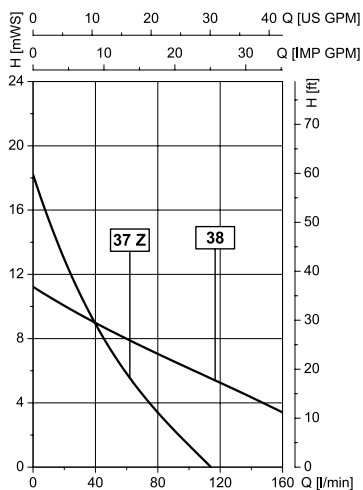
With the help of the performance charts you can compare the delivery rates achieved by each pump model powered by the various FLUX motors. Detailed motor data are shown on pages 21 to 29.

When using the pump with a discharge hose (of approx. 2 m) and a quick action tap, the delivery rate will be approx. 70 l/min. Depending on the motor type a 200 l drum can be emptied within 3 – 4 minutes.

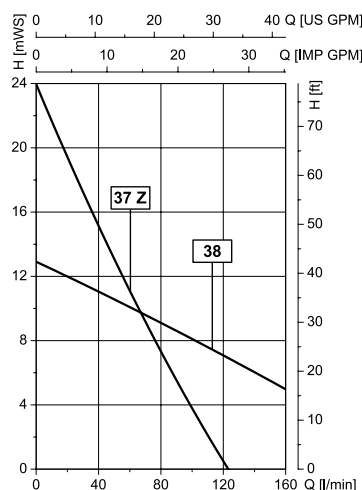
The delivery rates shown in the performance charts are obtained at the outlet connection of the pump.



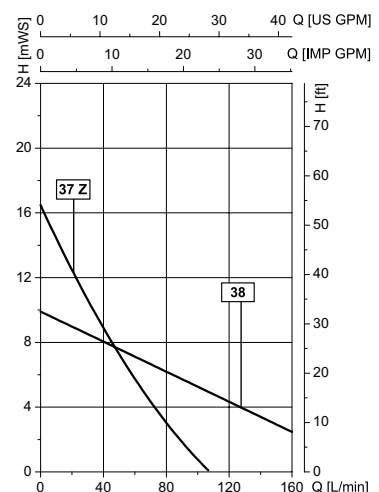
motor FBM 4000 Ex



motor F 416 Ex, F 416-1 Ex or F 416-2 Ex



motor FEM 4070



drum pump (tube set) in aluminium alloy, thread on outlet G 1¼ male, motors on page 21

type/curve	F 430 AL-41/38	F 430 AL-41/37 Z	F 430 AL-50/38
version			
seal type	mechanical seal in ceramic oxide, PTFE/carbon, o-rings in NBR		
material	shaft in stainless steel 316 Ti, seal in NBR, impeller in ETFE		
max. temperature	100 °C (for short periods)		
outer-Ø	41 mm	41 mm	50 mm
part no. / weight			
immersion length 700 mm	430 10 107 / 1,2 kg	430 10 407 / 1,2 kg	430 10 307 / 1,5 kg
immersion length 1.000 mm	430 10 110 / 1,5 kg	430 10 410 / 1,5 kg	430 10 310 / 1,8 kg
immersion length 1.200 mm	430 10 112 / 1,7 kg	430 10 412 / 1,7 kg	430 10 312 / 2,1 kg
accessories	hose connection complete with nut G 1¼ female DN 19 part no. 959 04 050 DN 25 part no. 959 04 039		

Pump models in immersion lengths of 200 – 2.000 mm (in steps of 100 mm) on request.

drum pump (tube set) in hastelloy C, thread on outlet G 1¼ male, without motor

type/curve	F 430 HC-40/38
version	
seal type	mechanical seal in ceramic oxide, PTFE/carbon, o-rings in FFKM
material	shaft in hastelloy C, seal in FFKM, impeller in ETFE
media-/ambient temperature	max. 120°C (Ex-application max. 40°C)
outer-Ø	40 mm
part no. / weight	
immersion length 700 mm	430 30 107 / 2,3 kg
immersion length 1.000 mm	430 30 110 / 3,0 kg
immersion length 1.200 mm*	430 30 112 / 3,5 kg
accessories	hose connection complete with nut G 1¼ female DN 25 part no. 959 04 043

*Other immersion lengths on request.



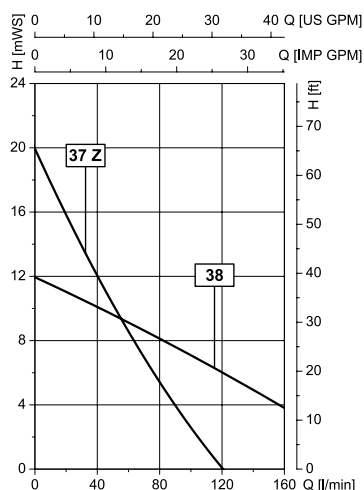
This pump version will achieve a higher delivery rate!



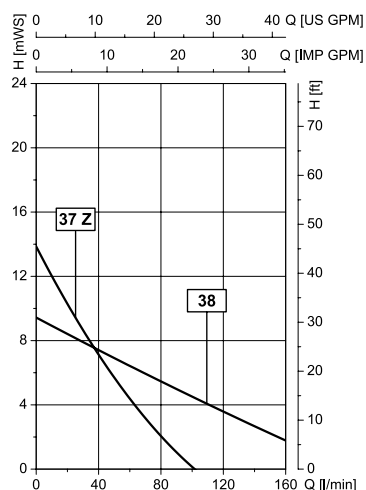
This pump version will achieve a higher delivery head!

Max. viscosity per pump and motor, please see pages 28 and 29.

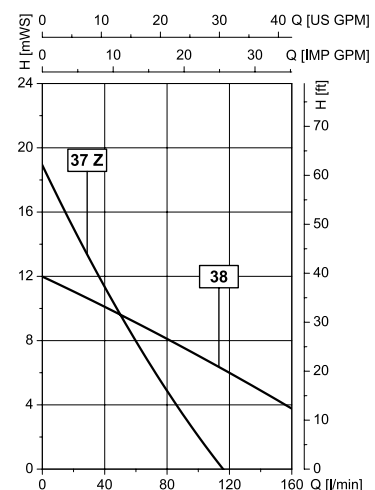
motor F 457 or F 457 EL



motor F 458, F 458 EL, F 460 Ex or F 460 Ex EL



motor F 458-1 or F 460-1 Ex



Values ± 10% with water (20°C) and a voltage of 230 Volt.

FLUX drum pumps in polypropylene

FLUX drum pumps in polypropylene are used for both chemically aggressive and hardly flammable liquids such as acids and alkalis, together with most thin and neutral liquids.

With the help of the performance charts you can compare the delivery rates achieved by each pump model powered by the various FLUX motors. Detailed motor data are shown on pages 21 to 29.

When using the pump with a discharge hose (of approx. 2 m) and a quick action tap, the delivery rate will be approx. 70 l/min.

Depending on the motor type a 200 l drum can be emptied within 3 – 4 minutes. The delivery rates shown in the performance charts are obtained at the outlet connection of the pump.

Special version for horizontal use on request.



F 430 PP-40/33



FEM 4070



F 457
F 457 EL



F 458
F 458 EL
F 458-1



F 414



FBM 4000 Ex



F 460 Ex
F 460 Ex EL
F 460-1 Ex



F 416 Ex



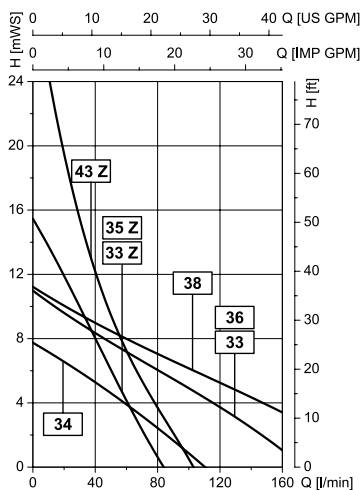
F 416-2 Ex

↑ This pump version will achieve a higher delivery rate!

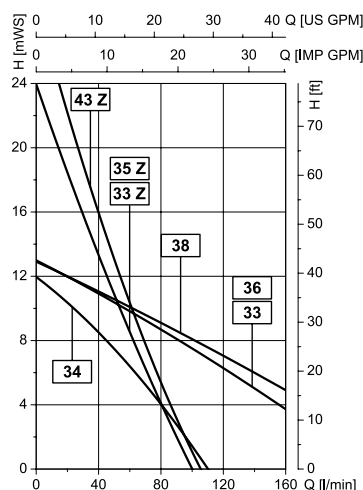
↑ This pump version will achieve a higher delivery head!

Max. viscosity per pump and motor, please see pages 28 and 29.

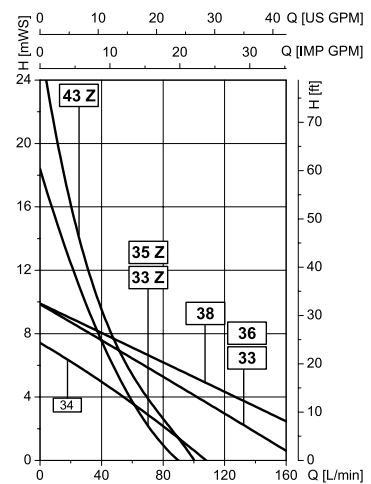
motor FBM 4000 Ex



motor F 416 Ex, F 416-1 Ex or F 416-2 Ex



motor FEM 4070

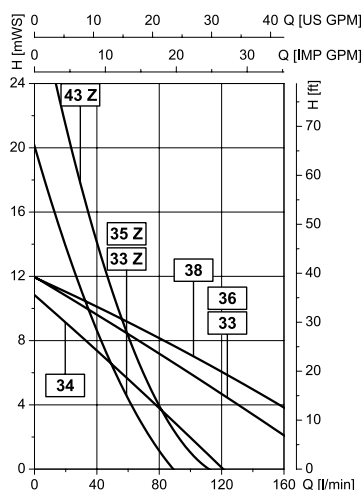


drum pump (tube set) in polypropylene, thread on outlet G 1¼ male, motors on page 21

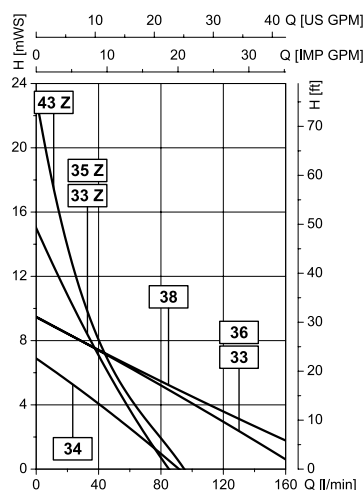
type/curve	F 424 PP-41/36	F 424 PP-41/35 Z	F 424 PP-50/38	F 424 PP-50/43 Z
version				
seal type	sealless within the liquid section			
material	shaft in hastelloy C, impeller in ETFE, o-ring in FKM			
max. temperature	50 °C			
outer-Ø	40 mm (foot piece 41 mm)	40 mm (foot piece 41 mm)	50 mm	50 mm
part no. / weight				
immersion length 700 mm	424 40 007 / 0,8 kg	424 40 107 / 0,8 kg	424 40 207 / 0,9 kg _w	424 40 307 / 0,9 kg
immersion length 1.000 mm	424 40 010 / 1,0 kg	424 40 110 / 1,0 kg	424 40 210 / 1,3 kg	424 40 310 / 1,3 kg
immersion length 1.200 mm	424 40 012 / 1,2 kg	424 40 112 / 1,2 kg	424 40 212 / 1,6 kg	424 40 312 / 1,6 kg
type/curve	F 425 PP-50/34		F 426 PP-50/33	
version	99,98 % drum emptying		mixing pump	
seal type	mechanical seal in ceramic oxide, PTFE/carbon, o-rings in FKM			
material	shaft in hastelloy C, seal in FKM, impeller in ETFE			
max. temperature	50 °C			
outer-Ø	50 mm		50 mm	
part no. / weight				
immersion length 700 mm	425 40 048 / 1,6 kg		-	
immersion length 1.000 mm	425 40 051 / 2,0 kg		426 40 001 / 1,8 kg	
immersion length 1.200 mm	425 40 053 / 2,3 kg		426 40 002 / 2,1 kg	
type/curve	F 430 PP-40/33	F 430 PP-40/33 Z	F 430 PP-50/43 Z	F 430 PP-50/38
version				
seal type	mechanical seal in ceramic oxide, PTFE/carbon, o-rings in FKM			
material	shaft in hastelloy C, seal in FKM, impeller in ETFE			
max. temperature	50 °C			
outer-Ø	40 mm	40 mm	50 mm	50 mm
part no. / weight				
immersion length 700 mm	430 40 107 / 1,1 kg	430 40 407 / 1,1 kg	430 40 207 / 1,1 kg	430 40 307 / 1,1 kg
immersion length 1.000 mm	430 40 110 / 1,4 kg	430 40 410 / 1,4 kg	430 40 210 / 1,5 kg	430 40 310 / 1,5 kg
immersion length 1.200 mm	430 40 112 / 1,6 kg	430 40 412 / 1,6 kg	430 40 212 / 1,7 kg	430 40 312 / 1,7 kg
accessories	hose connection complete with nut G 1¼ female DN 19 part no. 959 04 053		DN 25 part no. 959 04 052	

Pump models in immersion lengths of 200 – 3.000 mm (in steps of 100 mm) on request.

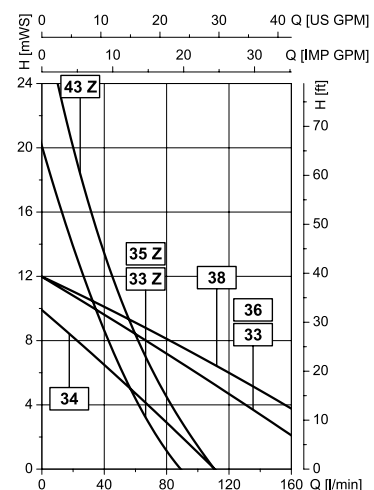
motor F 457 or F 457 EL



motor F 458, F 458 EL, F 460 Ex or F 460 Ex EL



motor F 458-1 or F 460-1 Ex



Values ± 10% with water (20°C) and a voltage of 230 Volt.

FLUX drum pumps in polyvinylidene fluoride

FLUX drum pumps in polyvinylidene fluoride are used for both chemically aggressive and hardly flammable liquids such as acids and alkalis, together with most thin and neutral liquids.

With the help of the performance charts you can compare the delivery rates achieved by each pump model powered by the various FLUX motors. Detailed motor data are shown on pages 21 to 29.

When using the pump with a discharge hose (of approx. 2 m) and a quick action tap, the delivery rate will be approx. 70 l/min.

Depending on the motor type a 200 l drum can be emptied within 3 – 4 minutes. The delivery rates shown in the performance charts are obtained at the outlet connection of the pump.

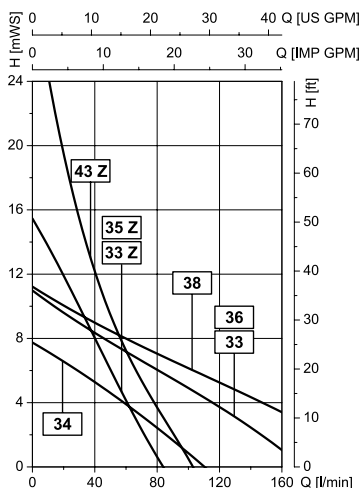


↖ This pump version will achieve a higher delivery rate!

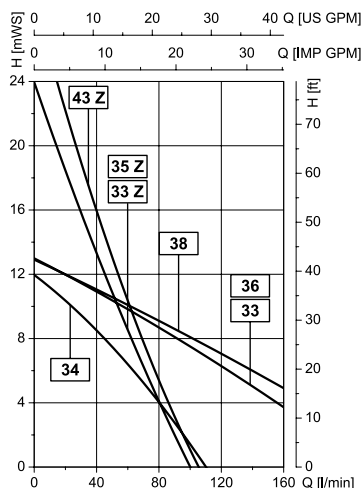
↖ This pump version will achieve a higher delivery head!

Max. viscosity per pump and motor, please see pages 28 and 29.

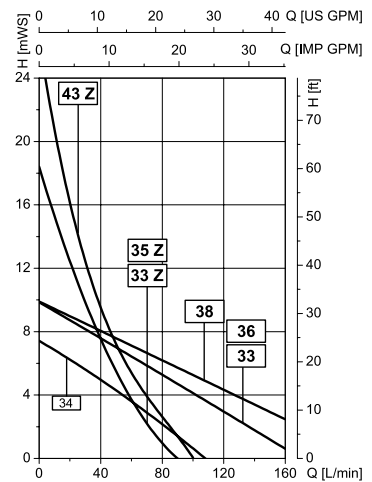
motor FBM 4000 Ex



motor F 416 Ex, F 416-1 Ex or F 416-2 Ex



motor FEM 4070

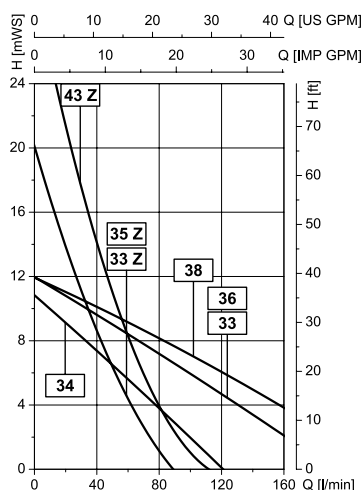


drum pump (tube set) in polyvinylidene fluoride, thread on outlet, G 1 1/4 male, motors on page 21

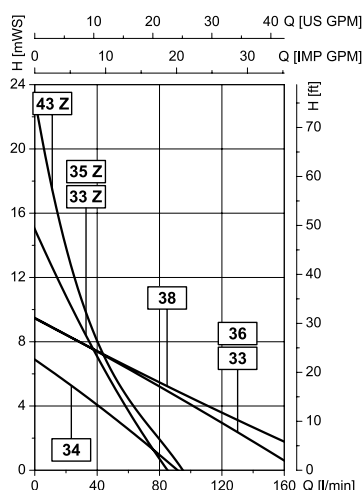
type/curve	F 424 PVDF-41/36	F 424 PVDF-41/35 Z	F 424 PVDF-50/38	
version				
seal type	sealless within the liquid section			
material	shaft in hastelloy C, impeller in ETFE, o-ring in FKM			
max. temperature	80 °C			
outer-Ø	40 mm (foot piece 41 mm)	40 mm (foot piece 41 mm)	50 mm	
part no. / weight				
immersion length 700 mm	424 60 007 / 1,1 kg	424 60 107 / 1,1 kg	424 60 207 / 1,4 kg	
immersion length 1.000 mm	424 60 010 / 1,4 kg	424 60 110 / 1,4 kg	424 60 210 / 1,9 kg	
immersion length 1.200 mm	424 60 012 / 1,6 kg	424 60 112 / 1,6 kg	424 60 212 / 2,2 kg	
type/curve	F 430 PVDF-40/33	F 430 PVDF-40/33 Z	F 430 PVDF-50/43 Z	F 430 PVDF-50/38
version				
seal type	mechanical seal in ceramic oxide, PTFE/carbon, o-rings in FKM			
material	shaft in hastelloy C, seal in FKM, impeller in ETFE			
max. temperature	80 °C			
outer-Ø	40 mm	40 mm	50 mm	50 mm
part no. / weight				
immersion length 700 mm	430 60 107 / 1,4 kg	430 60 407 / 1,4 kg	430 60 207 / 1,7 kg	430 60 307 / 1,7 kg
immersion length 1.000 mm	430 60 110 / 1,7 kg	430 60 410 / 1,7 kg	430 60 210 / 2,1 kg	430 60 310 / 2,1 kg
immersion length 1.200 mm	430 60 112 / 2,0 kg	430 60 412 / 2,0 kg	430 60 212 / 2,5 kg	430 60 312 / 2,5 kg
accessories	hose connection with nut G 1 1/4 female DN 19 part no. 959 04 101		DN 25 part no. 959 04 102	

Pump models in immersion lengths of 200 – 3.000 mm (in steps of 100 mm) on request.

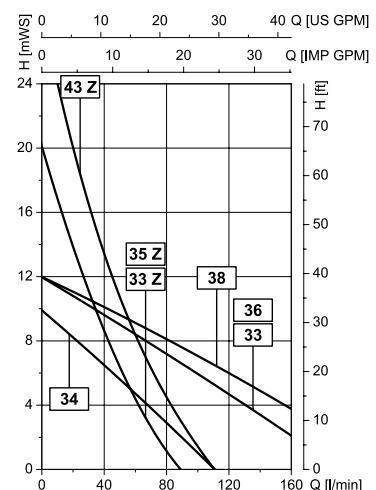
motor F 457 or F 457 EL



motor F 458, F 458 EL, F 460 Ex or F 460 Ex EL



motor F 458-1 or F 460-1 Ex



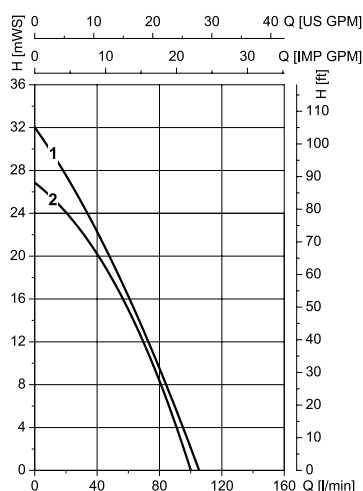
Values ± 10% with water (20°C) and a voltage of 230 Volt.

FLUX container pump in polypropylene in detail

The powerful, extremely lightweight and easy-to-handle solution for transferring corrosive acids and alkalis and almost every thin and hardly flammable liquid out of larger containers: FLUX container pump type F 430 PP-100/50 in polypropylene. Especially designed for emptying 1000-l-Containers, this pump provides the high safety and ease of handling you do appreciate on FLUX drum pumps.

The use of this pump allows to dispense with floor drains, to minimize leakage risks and to eliminate residual liquid within suction pipes and subsequent handling cost. A compression gland or a vapour-proof gland always secures the pump in a vertical position within the dome of the container.

Depending on the motor type, this pump will achieve a maximum delivery rate of 105 l/min and a maximum delivery head of 32 m liquid column in transferring liquids up to a maximum viscosity of 150 mPas (cP).



**FLUX container pump
F 430 PP-100/50
in combination with**

**1 = Commutator motor
Type F 457/F 458-1**

**2 = Three-phase gearmotor
Type F 414**

detailed motor data
see pages 21 to 29

Values ± 10% with water (20°C) and a voltage of 230 Volt.



container pump (tube set) in polypropylene, thread on outlet G 1¼ male, motors on page 21

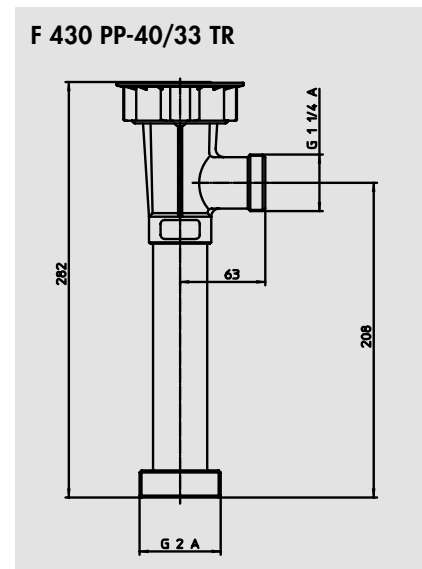
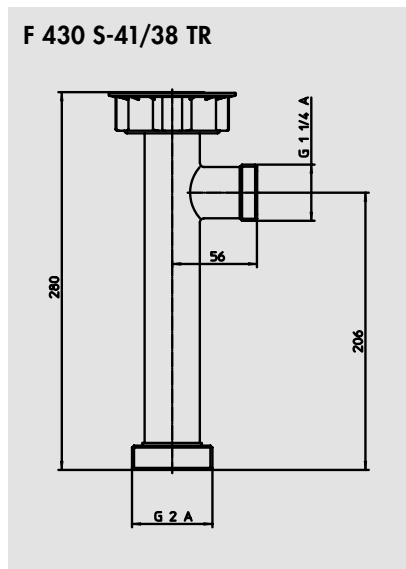
type	F 430 PP-100/50		
version	with impeller		
seal type	mechanical seal in ceramic oxide, PTFE/carbon, o-rings in FKM		
material	shaft in hastelloy C, seal in FKM, impeller in polypropylene		
max. temperature	50 °C		
outer-Ø	100 mm on the pump body		
part no. / weight			
immersion length 1.000 mm	430 40 510/2,0 kg		
immersion length 1.200 mm	430 40 512/2,2 kg		
immersion length 1.500 mm	430 40 515/2,5 kg		
accessories	hose connection with nut G 1¼ female	DN 25 part no. 959 04 052	DN 32 part no. 959 04 054

accessories for fixing the pump onto the container	part no.
screw cap DN 150	001 14 063
screw cap DN 225	001 14 064
in connection with FLUX vapour-proof gland, consisting of	
valve part (PP) Ø 50 mm	001 14 243
threaded ring (PP) G 2	001 14 238

centrifugal pumps for horizontal and vertical use		
type	F 430 S-41/38 TR	F 430 PP-40/33 TR
seal type	mechanical seal in ceramic oxide, PTFE/carbon, o-rings in FKM	mechanical seal in ceramic oxide, PTFE/carbon, o-rings in FKM
material	stainless steel 1.4571, seal in FKM, impeller in ETFE	polypropylene, shaft in hastelloy C, seal in FKM, impeller in ETFE
dimensions	see dimensional drawing	
media-/ambient temperature	max. 100°C (Ex-application max. 40°C)	50°C
outer-Ø	41 mm	40 mm
part no. / weight	430 20 002 / 1,4 kg	430 40 002 / 0,6 kg
hose connections complete for inlet		
material	stainless steel with brass nut G 2 female	polypropylene with nut G 2 female
DN 32	959 04 059	959 04 010
DN 38	959 04 060	959 04 011

You will find the suitable motors and performance charts for the pump F 430 S-41/38 TR on page 10 and 11, for the pump F 430 PP-40/38 TR on page 14 and 15.

Dimensions



FLUX quick action coupling SSK 400

FLUX Quick Action Coupling Type SSK 400 suits all FLUX drum and container pumps Type F 424, F 425, F 426, F 427 and F 430 and allows a quick assembly/disassembly of pump and motor within a few seconds only. This allows the use of several pump tube sets with one drive motor only. The quick action coupling SSK 400 consists of a clamping element which is mounted onto the pump tube set and a threaded ring which is screwed onto the drive motor.

type		part no.
quick action coupling SSK 400 complete	consisting of threaded ring (motor side) and clamping element (pump side)	001 10 802
or as individual parts:		
threaded ring	to be screwed onto the drive motor	001 10 800
clamping element	to be mounted onto the pump tube set	001 10 804





The brushless motor type FBM 4000 Ex is featuring a compact design, a robust double shell housing in aluminium and a very low noise level. The explosion-proof motor is tested and certified according to the latest ATEX Directive 94/9/EC (valid until 20.04.16) and ATEX Directive 2014/34/EU (valid from 20.04.16) category 2.


EC-Type-Examination Certificate PTB 10 ATEX 1054 X. The combined on/off switch and easy to use speed controller allow precise dispensing operations. Electronic monitoring of speed, voltage and temperature.

An integral no-volt release monitors the power and prevents unintentional re-start of the pump. This feature ensures additional safety for the user.

Due to negligible wear, the brushless motor design guarantees lowest cost of ownership, even with continuous use.



Brushless motor, explosion-proof to II 2G Ex d e IIC T6 / T5 Gb, protection class I. Jet-proof according to IP 55. With power supply cable, 5 m long, with safety plug (not explosion-proof).

type	capacity	voltage	frequency	weight	part no. version
					with no-volt release safety circuit
FBM 4000 Ex	600 W	230 V	50-60 Hz	6,2 kg	400 01 000

Accessories for drum pump motors F 458, F 460, FBM 4000 Ex

		part no.	
		System CEAG	System Stahl
CEE Explosion-proof plug	explosion-proof to II 2 G Ex de (ia) II C T6 / T5, 3-pole, 220-240 Volt, jet-proof to IP 55	937 01 030	937 01 018
CEE Explosion-proof socket	explosion-proof to II 2 G Ex de (ia) II C T6 / T5, 3-pole, 220-240 Volt, jet-proof to IP 55	937 50 041	937 50 022
Earth (ground) wire with crocodile clip	2 m long 3 m long 2 m long, reinforced version		931 90 008 931 90 013 931 90 015
carrying handle	allowing easy immersion and removal of the pump		001 10 557

FLUX commutator motor F 460 Ex in detail

Explosion-proof commutator motor type F 460 Ex featuring a compact design, a robust double shell housing in aluminium and a very low noise level. Tested and certified according to ATEX Directive 94/9/EC (valid until 20.04.16) and ATEX Directive 2014/34/EU (valid from 20.04.16) category 2. Type F 460 Ex EL, 230 volt, with infinitely variable speed control included in the switch knob for an easy control of the delivery rate.

EC-Type-Examination Certificate PTB 10 ATEX 1053 X.

An improved ventilation system provides optimal cooling and ensures an extended service life.


Additional safety by an integral no-volt release to prevent from any unintentional re-starting after a voltage discontinuity.

The commutator motor Type F 460-1 Ex is identical with Type F 460 Ex, but has a considerably higher capacity of 700 watt. This model is recommended for applications requiring a higher delivery rate or when transferring medium viscosity products or liquids with a higher density.



F 460 Ex (pict)
F 460 Ex EL
F 460-1 Ex

Commutator motor, explosion-proof to II 2 G Ex d e IIC T6 / T5 Gb, protection class I in 230, 240 or 110 volt, protection class III in 42, 24 or 12 volt. Jet-proof according to IP 55, version with no-volt release, with power supply cable, 5 m long, with safety plug (not explosion-proof). – 42, 24 and 12 volt version without plug.

type	capacity	voltage	frequency	weight	part no. version		
					with no-volt release, with variable speed control	with no-volt release, without variable speed control	without no-volt release, without variable speed control
							
F 460 Ex	460 W	230 V	50 Hz	5,1 kg	–	460 00 006	460 00 001
F 460 Ex EL	460 W	230 V	50 Hz	5,1 kg	460 00 028	–	–
F 460 Ex	460 W	240 V	50 Hz	5,1 kg	–	460 00 005	460 00 000
F 460 Ex	460 W	110 V	50 Hz	5,1 kg	–	460 00 007	460 00 002
F 460 Ex	460 W	42 V	50 Hz	5,1 kg	–	460 00 030	–
F 460 Ex	410 W	24 V	CC	5,1 kg	–	–	460 00 003
F 460 Ex	230 W	12 V	CC	5,1 kg	–	–	460 00 004
F 460-1 Ex	700 W	230 V	50 Hz	5,9 kg	–	460 01 004	460 01 001
F 460-1 Ex	700 W	240 V	50 Hz	5,9 kg	–	460 01 003	460 01 000
F 460-1 Ex	700 W	110 V*	50 Hz	5,9 kg	–	460 01 005	460 01 002

* Temperature class T5

230 Volt version, approved to VDE / GS standards.

Other voltages and/or frequencies on request.



FLUX commutator motor F 458 in detail



Commutator motor type F 458 featuring a compact design, a robust double shell housing in aluminium and a very low noise level.

Type F 458 EL, 230 volt, with infinitely variable speed control included in the switch knob for an easy control of the delivery rate. An improved ventilation system provides optimal cooling and ensures an extended service life. Totally enclosed, fan cooled motor design and special corrosion-resistant painting, making these models particularly suitable for use in corrosive, vapour laden atmospheres.

Additional safety by an integral no-volt release to prevent from any unintentional re-starting after a voltage discontinuity.

The commutator motor Type F 458-1 is identical with Type F 458, but has a considerably higher capacity of 700 watt. This model is recommended for applications requiring a higher delivery rate or when transferring products with a medium viscosity or liquids with a higher density.



F 458 (pict)
F 458 EL
F 458-1

Commutator motor, special corrosion-resistant painting, protection class I bei 240, 230 and 110 volt. Protection class III in 24 or 12 volt, Jet-proof according to IP 55, with no-volt release, power supply cable 5 m long and safety plug. – 24 and 12 volt version without plug.

type	capacity	voltage	frequency	weight	part no.version		
					with no-volt release, with variable speed control	with no-volt release, without variable speed control	without no-volt release, without variable speed control
F 458	460 W	230 V	50 Hz	5,1 kg	–	458 00 006	458 00 001
F 458 EL	460 W	230 V	50 Hz	5,1 kg	458 00 027	–	–
F 458	460 W	240 V	50 Hz	5,1 kg	–	458 00 005	458 00 000
F 458	460 W	110 V	50 Hz	5,1 kg	–	458 00 007*	458 00 002
F 458	410 W	24 V	CC	5,1 kg	–	–	458 00 003
F 458	230 W	12 V	CC	5,1 kg	–	–	458 00 004
F 458-1	700 W	230 V	50 Hz	5,9 kg	–	458 01 004	458 01 001
F 458-1	700 W	240 V	50 Hz	5,9 kg	–	458 01 003	458 01 000
F 458-1	700 W	110 V	50 Hz	5,9 kg	–	458 01 005*	458 01 002

* 50 Hz version only.
230 volt version, approved to VDE / GS standards.
Other voltages and/or frequencies on request.



Accessories see page 21.

Note: For transferring highly flammable liquids and for use in hazardous areas explosion-proof motors must be used.

FLUX commutator motor F 457 in detail

The strongest drum pump motor with 800 watt. Collector motor in compact design with very good air cooling, low noise level and long service life. Optionally available with an integrated undervoltage trigger that prevents an uncontrolled start and therefore guarantees optimum safety.

The F 457 EL motor also has an easy to operate electronic speed setting to control the pumping volume.



F 457 (pict)
F 457 EL

Commutator motor F 457

double isolated according to protection class II, IP 24 splash-proof, with power supply cable, 5 m long and 2-pole plug.

type	capacity	voltage	frequency	weight	part no. version		
					with no-volt release, with variable speed control	with no-volt release, without variable speed control	without no-volt release, without variable speed control
F 457	800 W	230 V	50 Hz	4,0 kg	–	457 01 005	457 01 002
F 457 EL	800 W	230 V	50 Hz	4,0 kg	457 01 003	–	–
F 457	800 W	240 V	50 Hz	4,0 kg	–	457 01 006	457 01 007
F 457 EL	800 W	240 V	50 Hz	4,0 kg	457 01 008	–	–
F 457	800 W	110 V	50 Hz	4,0 kg	–	457 01 009	457 01 010
F 457 EL	800 W	110 V	50 Hz	4,0 kg	457 01 011	–	–

230 volt version, approved to VDE / GS standards.
other voltages and/or frequencies on request.



accessories		part no.
carrying handle	allowing an easy immersion and removal of the pump. In combination with commutator motor F 457 or F 457 EL	001 10 533

With progressively controllable speed for various pumping volumes and a concentrated power of 500 watt. It can be combined with all FLUX drum pumps. The ergonomically shaped handle allows safe single-handed operation of the rotary switch to start the pump and the setting knob to adjust the speed. The following features are the FEM 4070 advantages:

- Optimum overload protection in all speed ranges
- With integrated undervoltage trigger to prevent an unintentional start after a temporary loss of power
- Integrated suspension option
- Compact design
- Low weight
- Low noise level
- Long service life



FEM 4070

Commutator motor FEM 4070

double isolated according to protection class II, IP 24 splash-proof, with electronic and thermal overload protection, 5 m cable and plug.

type	capacity	voltage	frequency	weight	part no. version	
					with no-volt release	without no-volt release
FEM 4070	500 W	230 V	50 Hz	2,6 kg	407 01 000	407 01 001
FEM 4070	500 W	240 V	50 Hz	2,6 kg	407 01 008	407 01 009
FEM 4070	500 W	110 V	50 Hz	2,6 kg	407 01 016	407 01 017

230 volt version, approved to VDE / GS standards.



Note: For transferring highly flammable liquids and for use in hazardous areas explosion-proof motors must be used.

FLUX three-phase gearmotor F 414 in detail

The robust three-phase gearmotor F 414 is especially designed for extreme operating conditions and extended operating periods.



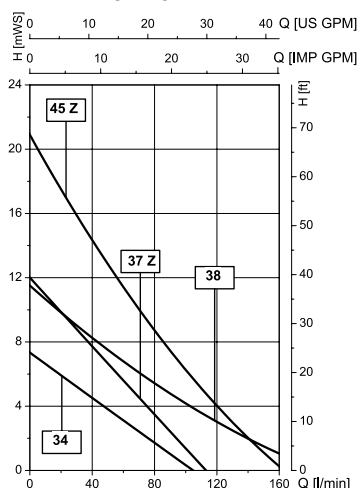
F 414

Three-phase gearmotor, protection class I, jet-proof to IP 55, available with motor protection switch or with cable terminal box, without power supply cable.

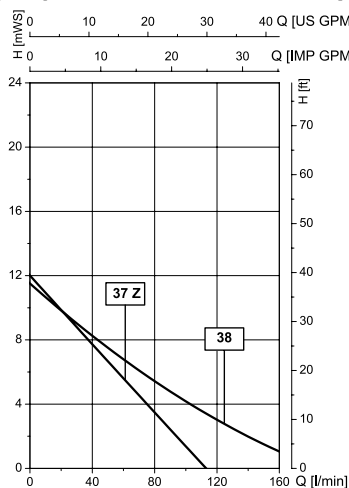
type	capacity	voltage	frequency	range of setting motor protection switch	weight	part no. version	
						with motor protection switch, mounted on the motor	without motor protection switch, with cable terminal box
F 414	0,55 kW	230/400 V	50 Hz	0,9 – 1,6 A	8,8/8,0 kg	414 01 112	414 01 110
F 414	0,75 kW	230/400 V	50 Hz	1,5 – 2,5 A	11,3/10,5 kg	414 01 137	414 01 136
F 414	1,1 kW	230/400 V	50 Hz	2,4 – 3,5 A	12,8/12,0 kg	414 01 139	414 01 138

accessories:		part no.
carrying handle	allowing an easy immersion and removal of the pump in combination with the Three-phase Gearmotor F 414	001 10 582
power supply cable	5 m long, complete with Cekon plug, 5-pole	934 08 020
power supply cable	5 m long, without plug	934 08 025
power supply cable	yard ware	934 08 901
cekon plug	5-pole	937 01 014

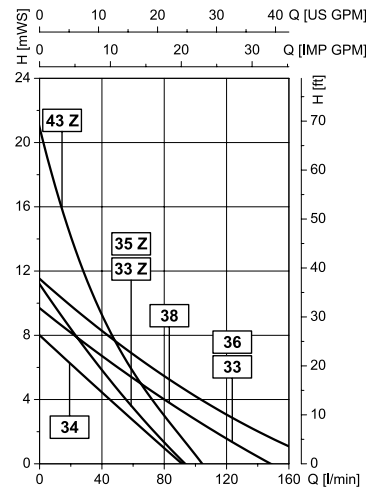
motor F 414 in combination with drum pump in stainless steel



motor F 414 in combination with drum pump in aluminium and hastelloy C



motor F 414 in combination with drum pump in PP and PVDF



In combination with air motors FLUX drum and container pumps are very lightweight, easy to handle and extremely powerful at the same time.

FLUX air motors are explosion-proof according to ATEX Directive 94/9/EC (valid until 20.04.16) and ATEX Directive 2014/34/EU (valid from 20.04.16). PTB Registration No. 02 ATEX D022-1. These motors are recommended for transferring highly flammable liquids and are particularly suitable for applications requiring a powerful and easy to adjust motor. The speed can be adjusted via the filter-regulator-lubricator unit on models F 416 Ex and F 416-1 Ex or on a ball valve on model F 416-2 Ex.

Power at 6 bar operating pressure – 470 watt.

Power at 3 bar operating pressure – 170 watt.



F 416 Ex
with trigger
operated valve



F 416-1 Ex
without valve



F 416-2 Ex
with ball valve

Air motor, explosion-proof to II 2 G c IIC T6, easily variable speed control by adjusting either the air supply pressure or volume, motor overload-proof, air connection G ¼ (BSP ¼" female).

type	capacity	operating pressure max.	air consumption	version	weight	part no.
F 416 Ex	470 W	6 bar	14 l/sec	with trigger operated valve	1,4 kg	416 00 100
F 416-1 Ex	470 W	6 bar	14 l/sec	without valve	0,9 kg	416 00 020
F 416-2 Ex	470 W	6 bar	14 l/sec	with ball valve	1,0 kg	416 00 030
accessories:						part no.
filter-regulator lubricator unit	consisting of water separator, pressure gauge and lubricator. Thread on inlet and outlet G ¼ (BSP ¼" female)					001 10 100
compressed air hose	DN 10, electrically conductive (blue)					001 10 098
hose coupling	brass, spring-actuated, with hose nozzle DN 10 for compressed air hose					959 13 066
nipple	brass, DN 10 – G ¼ A (BSP ¼" male) for hose coupling					959 13 065
hose nozzle	brass, DN 10 – G ¼ A (BSP ¼" male) for compressed air hose					959 05 022
earth (ground) wire with crocodile clip	2 m long 3 m long 2 m long, reinforced version					931 90 008 931 90 013 931 90 015

Capacity range



motor type	FBM 4000 Ex			F 458 F 458 EL	F 460 Ex F 460 Ex EL		F 458-1	F 460-1 Ex		
pump tube set type	delivery rate* l/min	delivery head** m	viscosity max. mPas (=^ cP)	delivery rate* l/min	delivery head** m	viscosity max. mPas (=^ cP)	delivery rate* l/min	delivery head** m	viscosity max. mPas (=^ cP)	
FP 430 Ex S-41/38	220	11	800	200	9,5	800	220	12	700	
FP 430 Ex S-41/37 Z	110	17,5	1000	100	14	1000	115	19	900	
F 430 S-50/38	220	11	800	200	9,5	800	220	12	700	
F 430 S-50/45 Z	120	23	800	130	19	900	145	25	900	
FP 424 Ex S-43/38	220	11	800	200	9,5	600	220	12	700	
FP 424 Ex S-43/37 Z	110	17,5	1000	100	14	1000	115	19	900	
F 424 S-50/45 Z	120	23	800	130	19	900	145	25	900	
F 425 S-41/34	110	8	800	115	8	600	220	10	900	
F 426 S-41/38	220	11	800	200	9,5	600	220	12	700	
F 427 S3-43/38	220	11	800	200	9,5	800	220	12	700	
F 430 AL-41/38	220	11	800	200	9,5	800	220	12	700	
F 430 AL-41/37 Z	110	17,5	1000	100	14	1000	115	19	800	
F 430 AL-50/38	220	11	800	200	9,5	800	220	12	700	
F 430 HC-40/38	220	11	800	200	9,5	800	220	12	700	
F 430 PP/PVDF-40/33	160	10,5	800	170	9,5	600	190	12	900	
F 430 PP/PVDF-40/33 Z	85	15,5	1000	85	15	1000	90	20	900	
F 430 PP/PVDF-50/38	220	11	800	200	9,5	800	220	12	700	
F 430 PP/PVDF-50/43 Z	105	30	1000	95	23	1000	110	28	900	
F 424 PP/PVDF-41/36	175	11	800	170	9,5	800	190	12	900	
F 424 PP/PVDF-41/35 Z	85	15,5	1000	85	15	1000	90	20	900	
F 424 PP/PVDF-50/38	220	11	800	200	9,5	800	220	12	700	
F 424 PP-50/43 Z	125	30	1000	95	23	1000	110	28	900	
F 425 PP-50/34	110	8	800	90	7	1000	110	10	900	
F 426 PP-50/33	160	10,5	800	170	9,5	800	190	12	900	

Values ± 10% with water (20°C) and a voltage of 230 Volt.



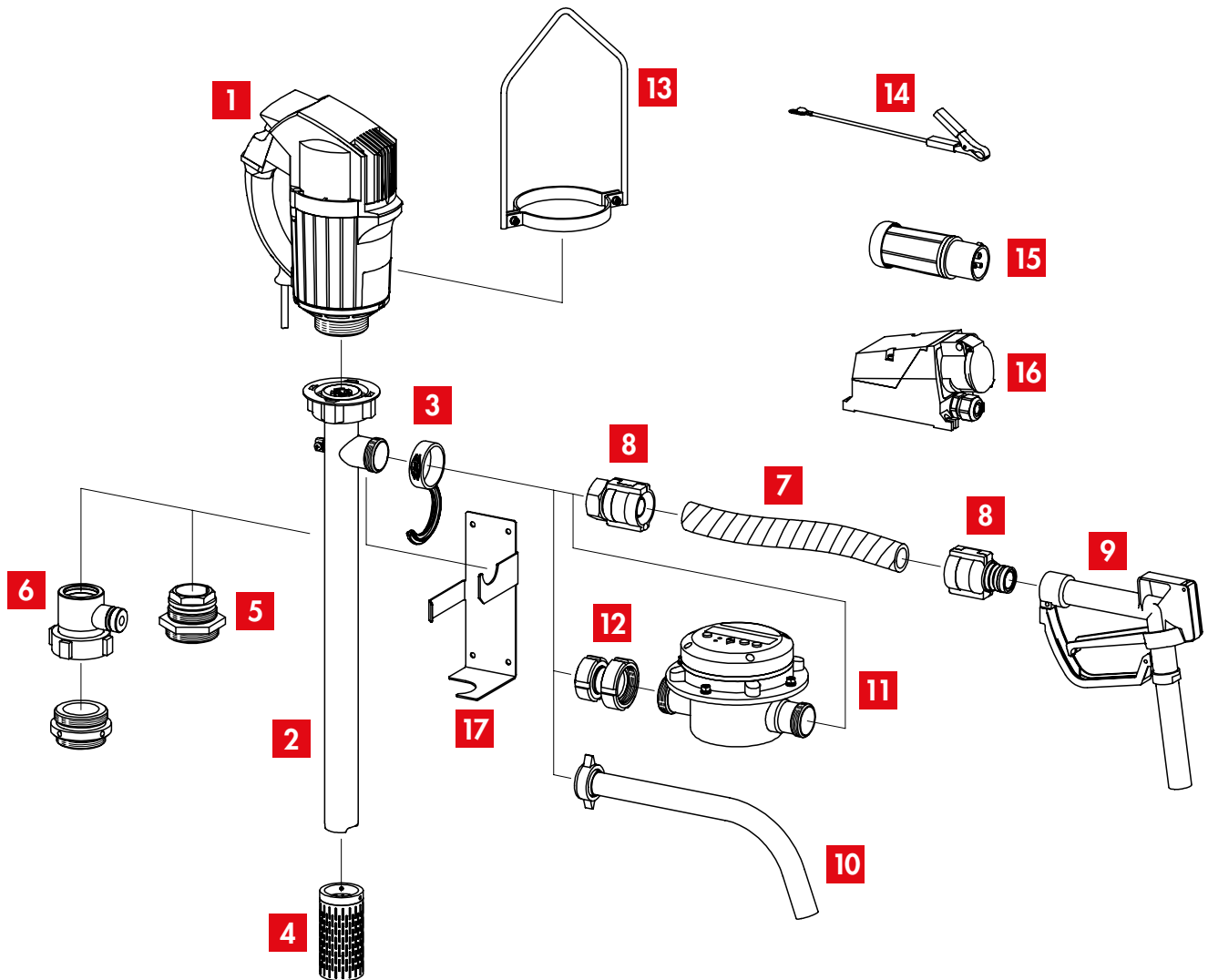
	F 414			F 416 Ex	F 416-1 Ex F 416-2 Ex		FEM 4070			F 457	F 457 EL	
	delivery rate* l/min	delivery head** m	viscosity max. mPas (=^ cP)	delivery rate* l/min	delivery rate** m	viscosity max. mPas (=^ cP)	delivery rate* l/min	delivery head** m	viscosity max. mPas (=^ cP)	delivery rate* l/min	delivery head** m	viscosity max. mPas (=^ cP)
	185	11	900	240	13	1000	215	10	600	220	12	800
	115	12	1000	120	24	1200	105	16	800	120	20	1000
	185	11	900	240	13	1000	215	10	600	220	12	800
	160	21	1000	145	30	1200	-	-	-	150	26	900
	185	11	900	240	13	800	215	10	600	220	12	800
	115	12	1000	120	24	1200	105	16	800	120	20	1000
	160	21	1000	145	30	1200	-	-	-	150	26	900
	100	7	1000	130	13	1200	105	7,5	800	120	11	900
	185	11	900	240	13	800	215	10	600	220	12	800
	185	11	900	240	13	1000	215	10	600	220	12	800
	185	11	900	240	13	1000	215	10	600	220	12	800
	115	12	1000	120	24	1200	105	16	800	120	20	1000
	185	11	900	240	13	1000	215	10	600	220	12	800
	185	11	900	240	13	1000	215	10	600	220	12	800
	145	10	1000	205	13	1200	165	9,5	600	190	12	800
	90	11	1000	100	24	1200	85	18	600	90	20	1000
	185	11	900	240	13	1000	215	10	600	220	12	800
	105	21	1000	105	30	1200	100	26	800	110	30	900
	145	10	1000	205	13	1200	165	9,5	600	190	12	800
	90	11	1000	100	24	1200	85	18	800	90	20	1000
	185	11	900	240	13	1000	215	10	600	220	12	800
	105	21	1000	105	30	1200	100	26	800	110	30	900
	90	8	1000	110	12	1200	105	7,5	800	120	11	1000
	145	10	900	205	13	1200	165	9,5	800	190	12	800

* Maximum delivery rate with free outlet; obtained on the outlet connection.

** Maximum delivery head with closed outlet; obtained on the outlet connection.

general view FLUX drum and container pump with accessories for highly flammable liquids (explosion-proof version)

It is not merely the pump that makes the FLUX solution a perfect equipment. On this page you will find a general view on the explosion-proof FLUX drum pump together with all accessories for transferring highly flammable liquids. With all items in bold printing you will have a ready to use pump assembly, which may be completed by other accessories shown on this page.



- 1** drive motor

- 2** drum pump (pump tube set)

- 3** FLUX-clip

- 4** suction strainer

- 5** compression gland

- 6** fume gland type FES

- 7** flexible hose*

- 8** swaged hose fittings*

- 9** quick action tap

- 10** discharge spout

- 11** liquid meter

- 12** connecting piece FMC 100

- 13** carrying handle

- 14** earth (ground) wire

- 15** explosion-proof plug

- 16** explosion-proof socket

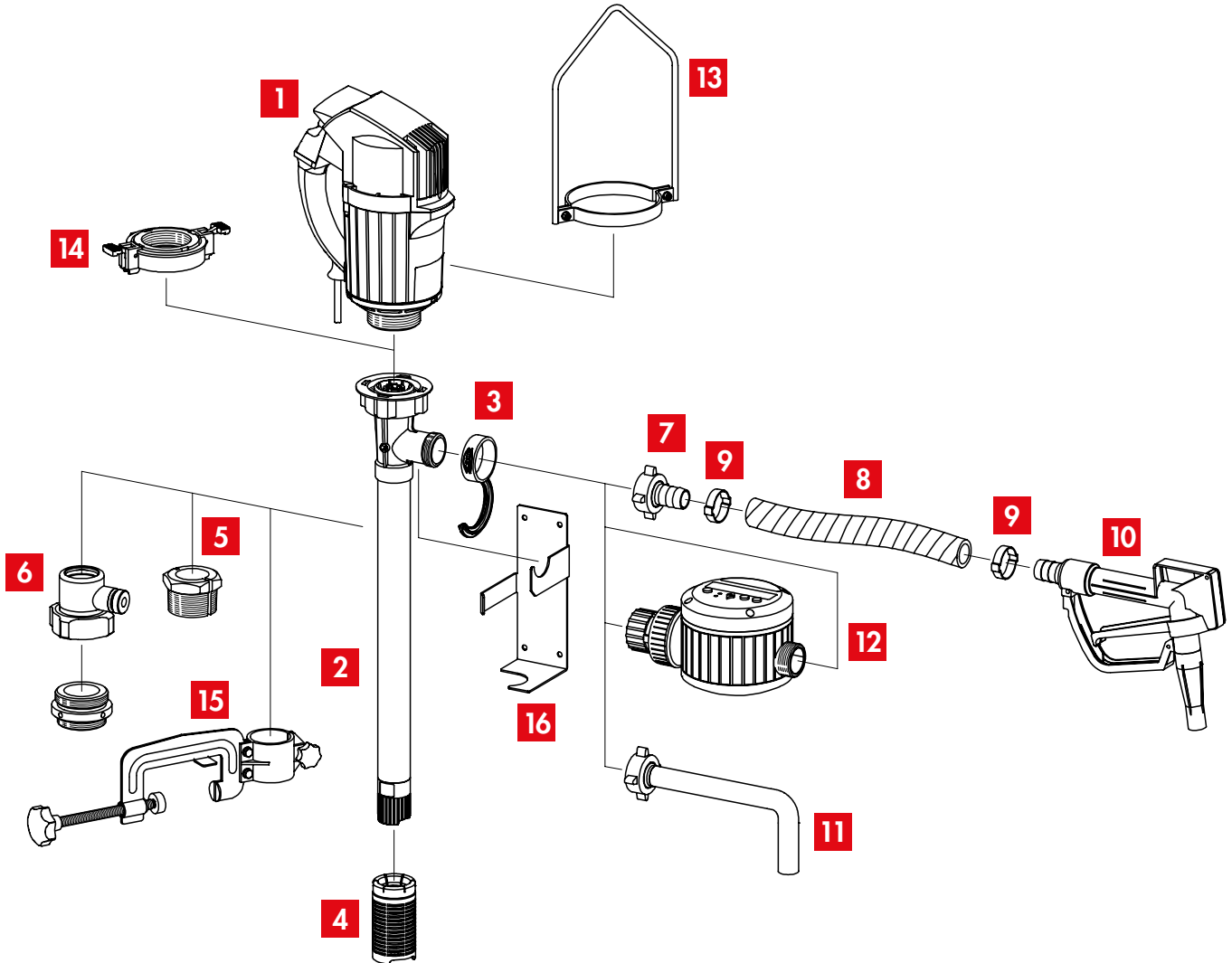
- 17** wall bracket

* On request also available completely mounted and tested for electrical conductivity.

general view FLUX drum and container pump with accessories for non-flammable liquids



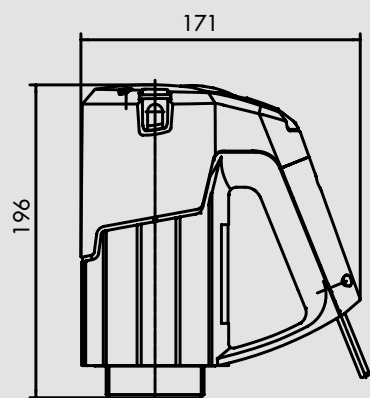
It is not merely the pump that makes the FLUX solution a perfect equipment. On this page you will find a general view on the FLUX drum pump together with all accessories for transferring non-flammable liquids. With all items in bold printing you will have a ready to use pump assembly, which may be completed by other accessories shown on this page.



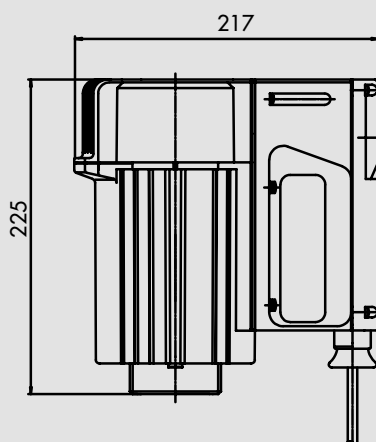
- | | |
|------------------------------------|--|
| 1 drive motor | 9 hose clip |
| 2 drum pump (pump tube set) | 10 quick action tap |
| 3 FLUX-clip | 11 discharge spout |
| 4 suction strainer | 12 liquid meter |
| 5 compression gland | 13 carrying handle |
| 6 fume gland type FES | 14 quick action coupling type SSK 400 |
| 7 hose connection | 15 attachment clamp |
| 8 flexible hose* | 16 wall bracket |

dimensions FLUX motors

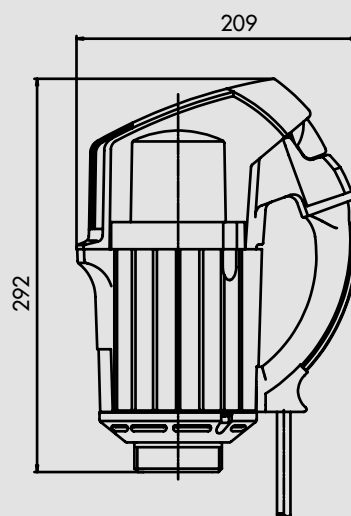
FEM 4070



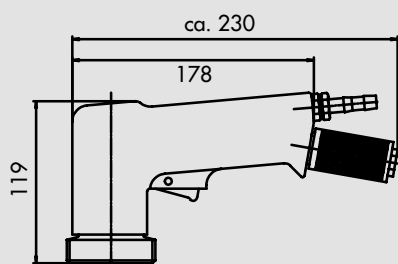
F 457/F 457 EL



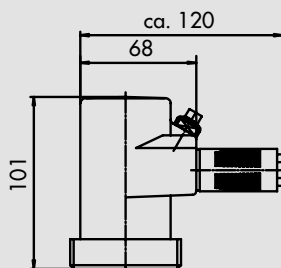
F 458/F 458 EL/F 458-1/
F 460 Ex/F 460 Ex EL/
F 460-1 Ex/FBM 4000 Ex



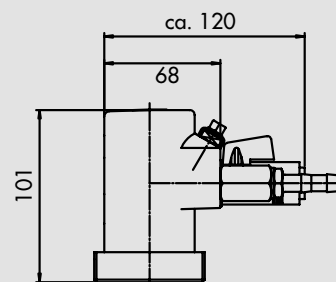
F 416 Ex



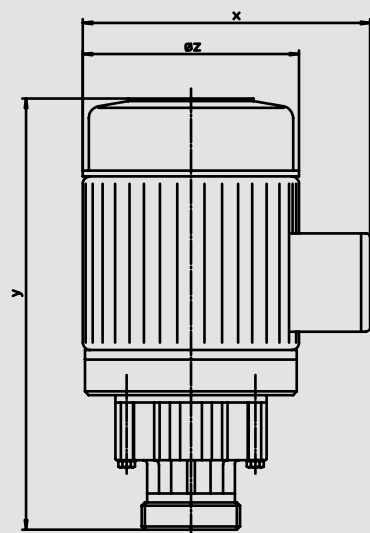
F 416-1 Ex



F 416-2 Ex



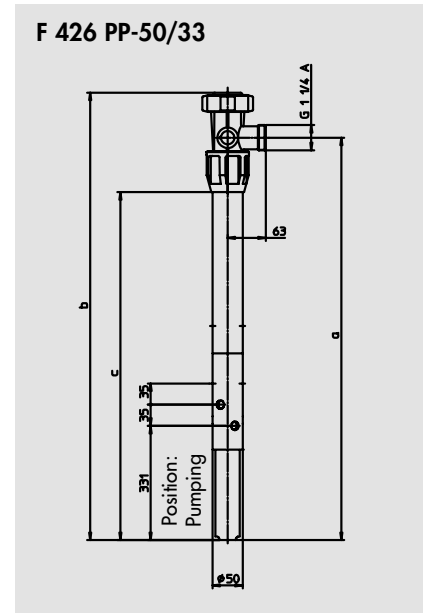
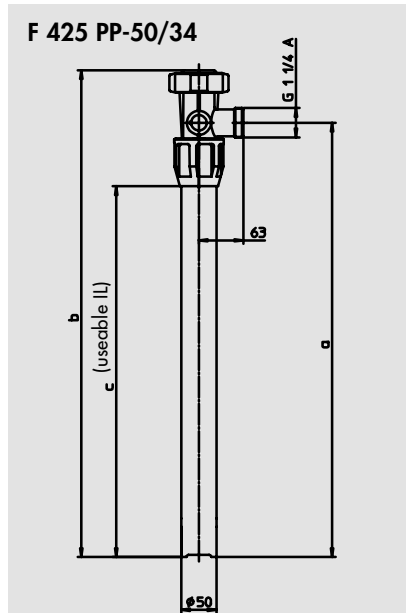
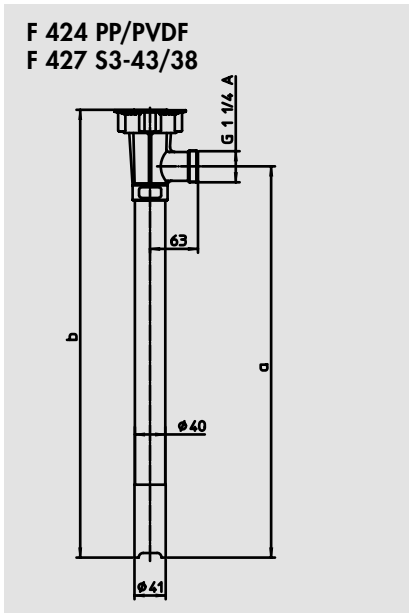
F 414



type F 414

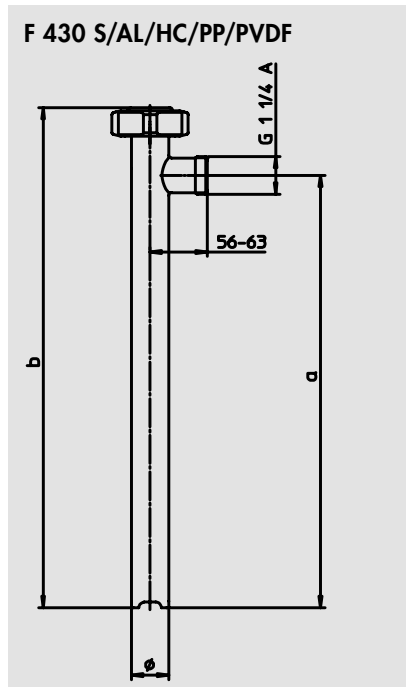
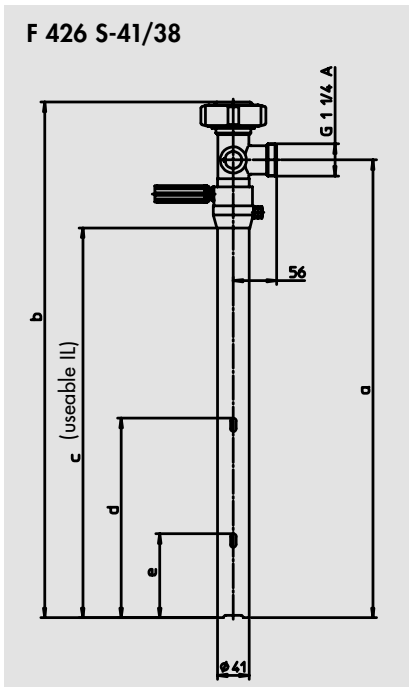
capacity	x	y	Øz
0,55 kW	200	285	143
0,75 kW	217	311	160
1,1 kW	217	311	160

Note: with motor and pump assembled, the total length reduces by 16 mm.



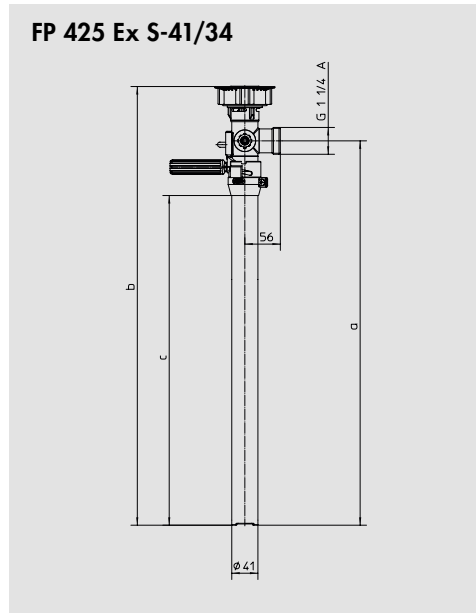
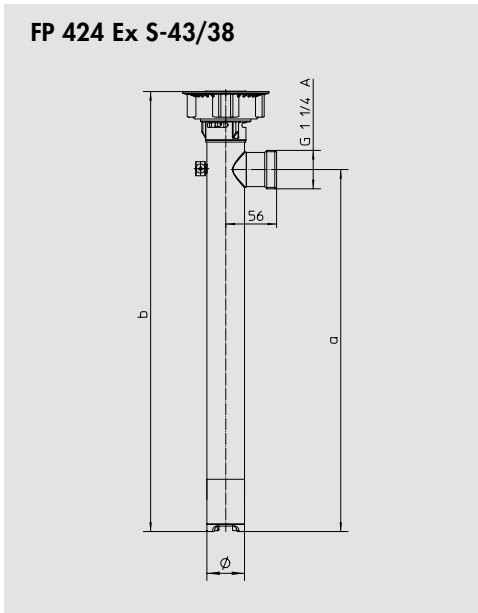
type	F 424 PP/PVDF and (S with Ø 50) F 427 S3			F 425 PP-50/34*				F 426 PP-50/33			
dimensions in mm	Ø	a	b	Ø	a	b	c	Ø	a	b	c
immersion length 700 mm	41 or 50	715	790	50	816	891	726	-	-	-	-
immersion length 1.000 mm		1015	1090	50	1116	1191	1026	50	1116	1191	1026
immersion length 1.200 mm		1215	1290	50	1316	1391	1226	50	1316	1391	1226

*With open valve dimensions a and b are increased by 8 mm



type	F 426 S-41/38						F 430 S/AL/HC/PP/PVDF		
dimensions in mm	Ø	a	b	c	d	e	Ø	a	b
immersion length 700 mm	-	-	-	-	-	-	40 or 50	706	780
immersion length 1.000 mm	41	1106	1181	1018	352	202		1006	1080
immersion length 1.200 mm	41	1306	1381	1218	352	202		1206	1280

drum and container pumps with zone separation



type	FP 424 Ex S-43/38			FP 425 Ex S-41/38*			
	Ø	a	b	Ø	a	b	c
immersion length 700 mm	43	695	780	41	805	890	726
immersion length 1.000 mm	43	995	1080	41	1105	1190	1026
immersion length 1.200 mm	43	1195	1280	41	1305	1390	1226

*With open valve dimensions a and b are increased by 8 mm



It is not merely the pump that makes the FLUX solution a perfect equipment. FLUX Pump Kits include everything for that quick start required by today's busy engineers and buyers: a ready to work, straight out of the box pump. All component parts – pump, motor and accessories – are carefully selected to complement each other.

FLUX Pump Kits are available for:

- acids and alkalis
- concentrated acids and alkalis
- petroleum products
- highly flammable liquids
- universal applications
- 99,98 % drum emptying

Select the most suitable combination and see the advantages of buying a FLUX Pump Kit, the all-inclusive service!



Flow meters and FLUXTRONIC®

Flow meters based on the nutating disc (FMC) or oval rotor principle (FMO) offer the right solution for any application.

In combination with the FLUXTRONIC® evaluation electronics, filling and dosing processes of almost all fluids can be carried out with maximal precision and safety. This goes for a wide range of liquids from thin to highly viscous. In automatic operation, signals can be output for control purposes. In this way, the most varied processes can be controlled..

For detailed information on FLUX Pump Kits, FLUX Liquid Meters and other FLUX products please ask for our sales brochures.



More than just pumps



FLUX is a world renowned brand for the highest standards in pump technology. It all began in 1950 with the invention of the electric drum pump. Today, FLUX offers a wide range of products which can be configured individually. For example, FLUX pumps are used in the chemical and pharmaceutical industries, in machine and plant construction, as well as in electroplating, sewage treatment plants, and the food industry.

Whether as a stand-alone or a system solution, FLUX quality means long useful life, excellent economic efficiency and a maximum of safety.

Apart from the outstanding FLUX product quality and reliability, our clients appreciate the expertise and dedication of our employees to customer service.

Today, FLUX-GERÄTE GMBH supplies pumps to almost one hundred countries world wide.

FLUX-GERÄTE GMBH
Talweg 12 · D-75433 Maulbronn
Tel +49 (0)7043 101-440 · Fax +49 (0)7043 101-444
info@flux-pumpen.de · www.flux-pumpen.de