

# ETRI®

---

---

## SPECIFICATION FOR APPROVAL

---

---

---

---

## SPECIFICATION POUR VALIDATION

---

---

*Customer :*  
*Client :*

*Description :* AXIAL DC FAN  
*Description :*

*Part Number :* 125XR0182000  
*Référence :*

*Rev :* /  
*Ind :* /

*Please send one copy of this specification back after  
you signed approval for production pre-arrangement.*

*Veillez nous retourner un exemplaire de cette  
spécification pour validation signée, pour le lancement  
en fabrication.*

*Approved By :*  
*Validé par :*

*Date :*  
*Date :*

*Technical Dept. :*  
*Serv. Technique :*

**ECOFIT**  **ETRI** PRODUCTS  
*Z.I. Sud*

*Rue Marc SEGUIN - BP 60008*

*41100 VENDOME - FRANCE*

*Te1 : +33 (0)2 54 23 14 54*

*Fax : +33 (0)2 54 72 22 73*

*site: [www.etrinet.com](http://www.etrinet.com)*

**rosenberg**   
THE AIR MOVEMENT GROUP

 **ECOFIT** 

Z.I. Sud

rue Marc SEGUIN - BP 60008

41100 VENDOME - FRANCE

Tél : 33 (0)2 54 23 14 54

Fax : 33 (0)2 54 72 22 73

PART NUMBER 125XR0182000	Ind./
--------------------------	-------

ELECTRICAL SPECS

Nominal voltage	.....	.....115 volts
Voltage range	.....	.....±10%
Frequency	.....	.....50/60 Hertz
Phase	.....	.....1~ AC sinus.
	.....	.....

DESCRIPTION

Fan	.....	.....helicoid
Motor type	.....	.....ALTERNATING CURRENT
Class	.....	.....B/ UL A
IP	.....	.....IP20
Dielectric	.....	.....2250V/5s/4mA
Dimensions (mm)	.....	.....Length 120,00 width: 120,00
	.....	.....Thickness: 38,00 :
weight	.....	.....0,725 Kg
Earth/Ground	.....	.....Ø 3,85 (pour vis M4 ou 8.32 UNC Taptite)
Housing material	.....	.....Zamak
Fixing holes	.....	.....Ø4,3 bNbr 4
Impeller material	.....	.....Plastic UL 94 V0
Type of bearings	.....	..... Ball Bearing
Drawing/Performances curves	.....	.....EVE6244 /125XR0181000

ENVIRONMENT

Design Code	.....	C11 : Standard
Operating temp	.....	.....Min: -10°C Max: + 70 °C
Storage temperature	.....	.....-40 à +70°C
Life time (typical value)	.....	.....80.000 Hours at 40°C L10

Connection	.....	Terminals
	.....	FASTONS 2,8x0.5

APPROVAL	.....	CE RoHS UL
----------	-------	------------

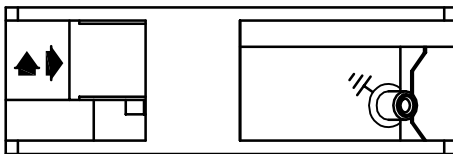
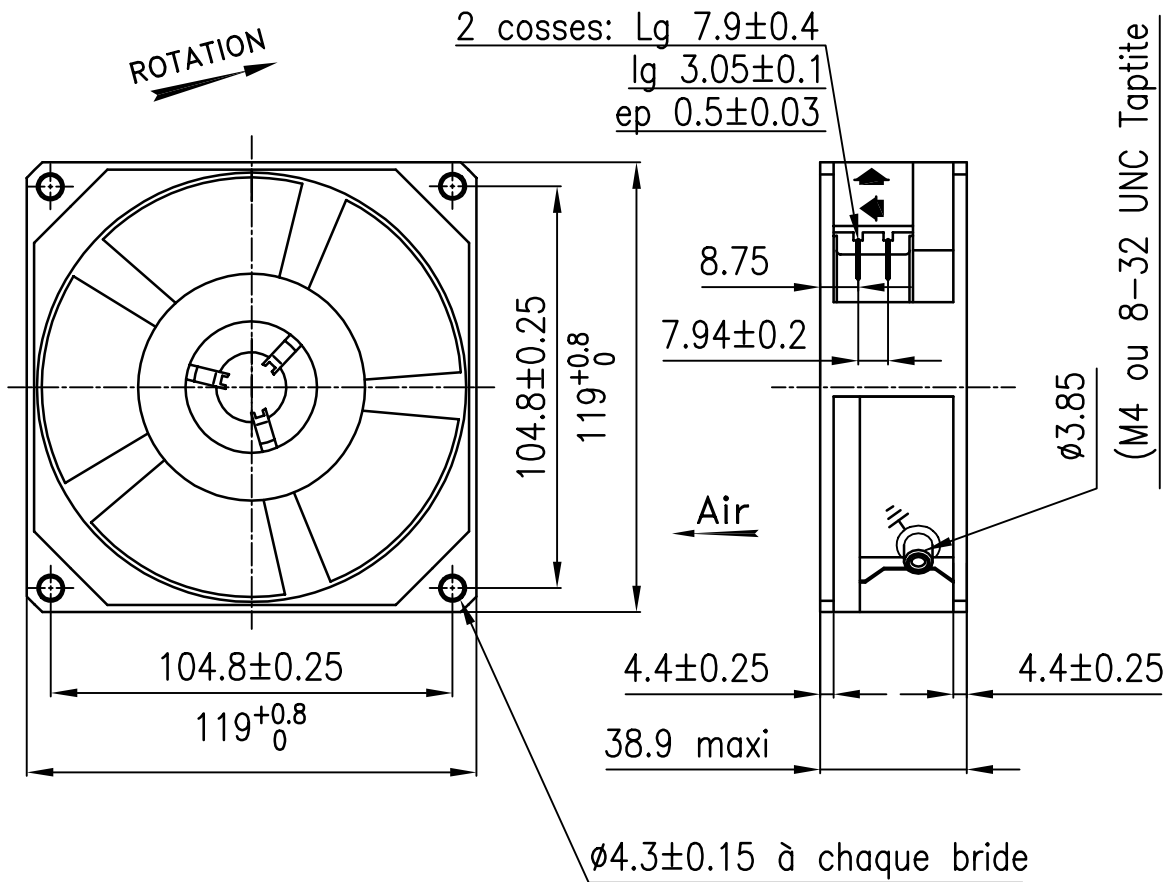
PART NUMBER 125XR0182000 Ind. /

DIVERS

Motor protection	Impedance Protected				
Variable Speed-input					
Speed Sensor	" NO "			* VCC =	
Qty cycles per road= 00	Vce(sat)=		* Ic=		* R:>= Kohms
output collector	* Fil(s) *		* AWG		*
T0 =	* T1 =		* T2 =		* T3 =
Sensing Temperature	NO				

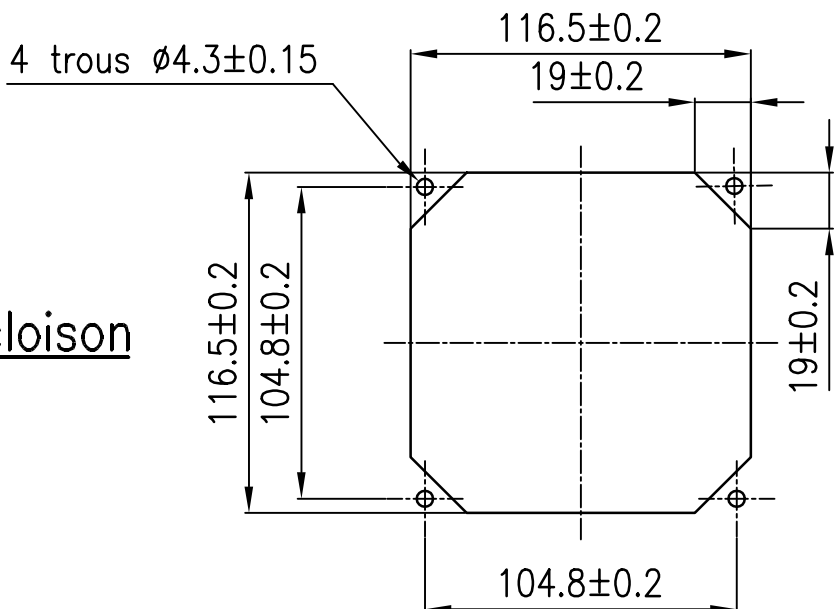
Performances of PART NUMBER 125XR0182000 Ind. /
---

			According to CCTU 18-10					*	Performances at free air					
Volts (V)	Frequency (Hz)	Phase (s)	Static Pressure			Airflow		Noise Lp dB(A)	Speed (Rpm)	Power Watts	Intensity		Capacity start (µF)/Volts	Rise Wind. (°C)
			(mm H2O)	(inch)	(Pascal)	(l/s)	(cfm)			nom.(mA)	strt(mA)			
115	50	1	9,5	0,37	93,195	44	93,22	44,00	2800	16	200	310	/	45
115	60	1	10,5	0,41	103,005	53	112,29	48,00	3200	15	180	260	/	35

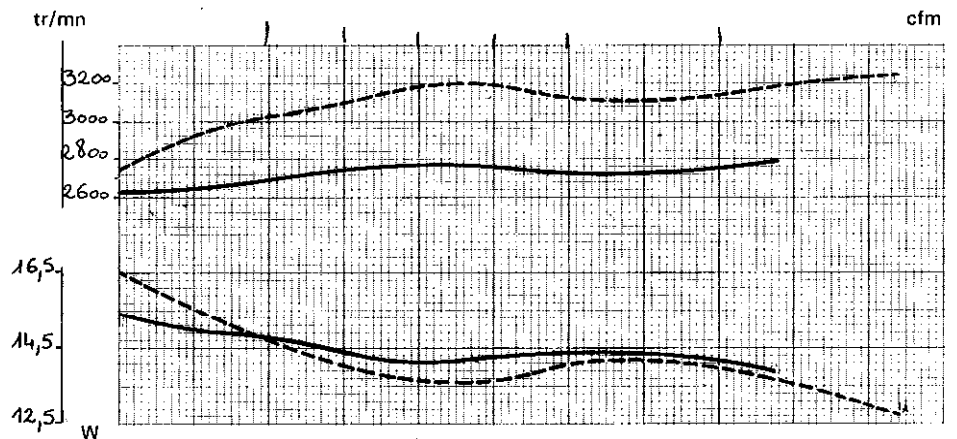
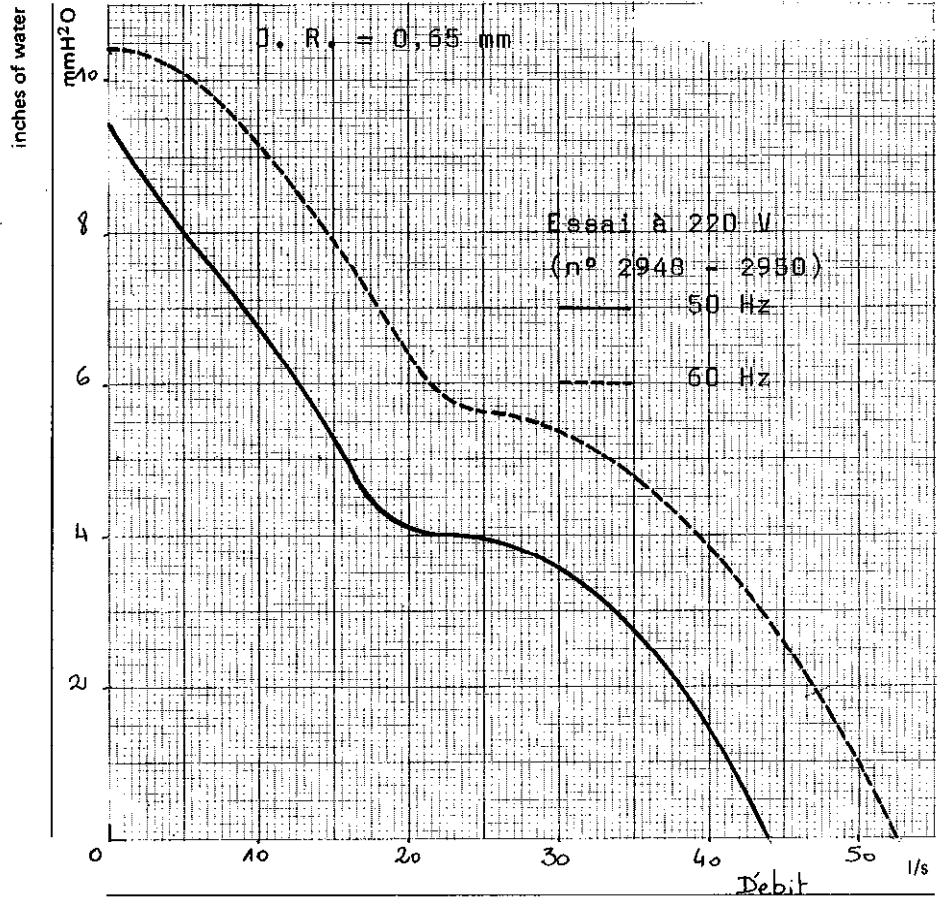


Sauf indicaton contraire  
- tolérance à  $\pm 0.8$   
- angles à  $\pm 5^\circ$

Découpe de la cloison



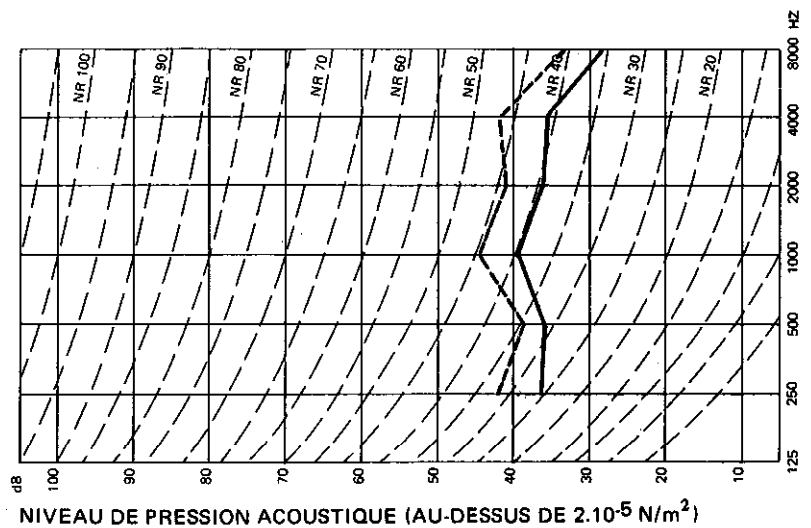
### PRESSION STATIQUE



### COURBES DE BRUIT (ETRI)

dB (A) : 44/48

SIL : 38/41,5



EDITION	1	15.11.82	4	
	2		5	
	3		6	