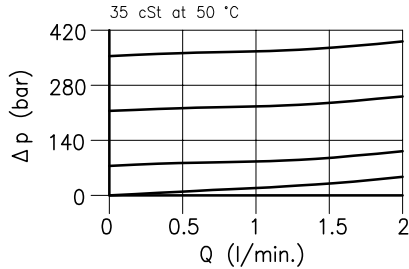
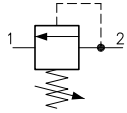
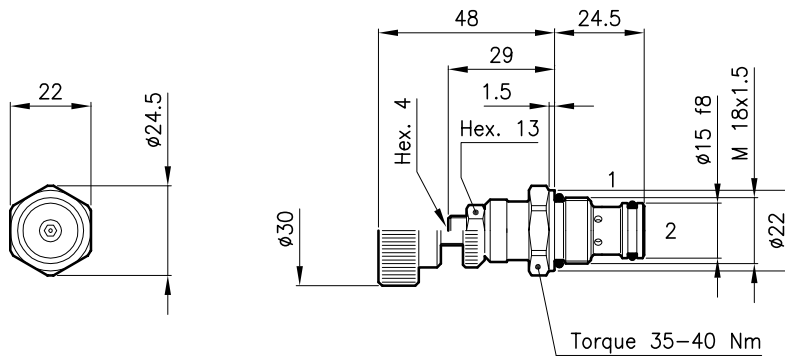


Technical features



Cavity	(For dimensions see catalogue 17.000)	S 20/2
Max. flow	(l/min.)	2
Max. inlet pressure	(bar)	420
Max. pressure on line 1	(bar)	210
Fluid viscosity range	(cSt)	2.8 - 380
Fluid temperature range	(°C)	-20 +80
Mass	(kg)	0.075
Cracking pressure 95% of setting value		
Reseat pressure 90% of setting value		
Cracking pressure defined with 0.1 l/min.		
Standard setting obtained with 0.5 l/min.		
Hydraulic fluid; mineral oil HM and HV ISO 6074		
Recommended filtration; 19/15 ISO 4466 (25 μ absolutes)		
Standard seals in Polyurethane and Buna N		

Dimensions



Ordering informations

LPS 20/D-N

LPS 20 = Valve type



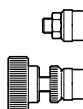
Standard springs

Type	Setting range	Factory set
D	7 - 210 bar	140 bar
Q	105 - 420 bar	315 bar

Adjustment type

N = Standard adjustment

V = Handknob adjustment



Codes:

LPS 20/D-N	11 011 100
LPS 20/Q-N	11 011 101
LPS 20/D-V	11 011 103
LPS 20/Q-V	11 011 102
External seals kit	90 620 100

LPS 20 valves can be assembled on standard bodies 20-LO series; for dimensions see catalogue 16.010