

Receiver

 Society
 Reference
 Address
 Phone
 Fax
 E-mail

From

 Profil LTD
 Karadzhov, Angel
 6th km, Pazardzhishko shose
 -
 -
 angel.karajov@prof.ilbg.com

Item n° :

102970160

Model :

EURO 40/80 M

Pump data

 Pressure rating : 8 bar (800 kPa)
 Min. fluid temperature : 0 °C
 Max. fluid temperature : 35 °C
 Max. Ambient temperature : 40 °C

Requested data

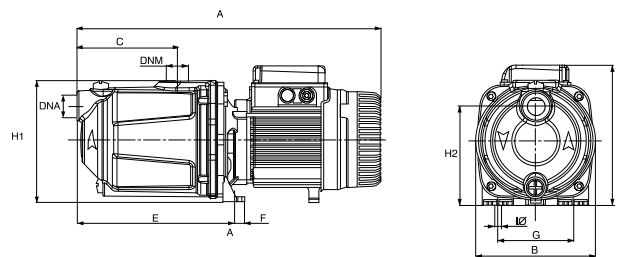
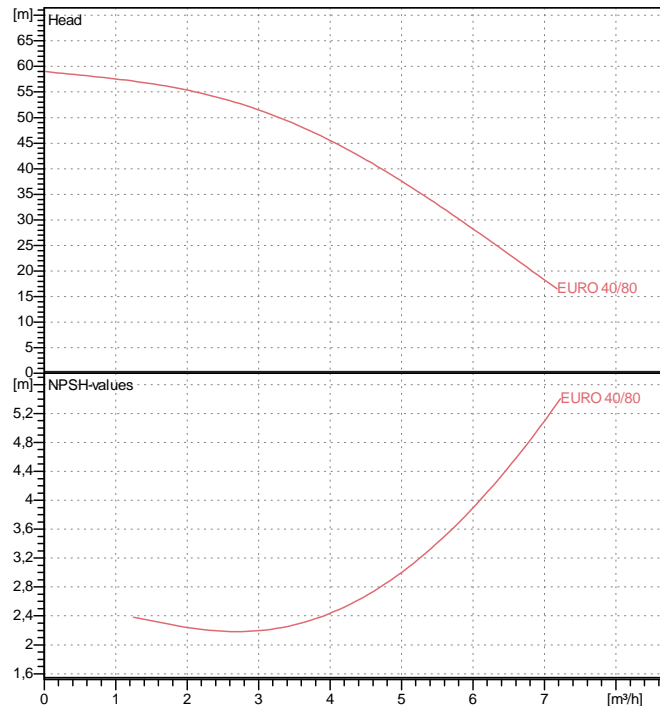
 Flow : 0,00 m³/h
 Head : 0,00 m
 Fluid : Water
 Fluid Temperature : 20 °C
 Density : 0,99819 kg/dm³
 Kinematic viscosity : 1,0004 mm²/s
 Vapor pressure : 2,20 kPa

Hydraulic data (duty point)

 Flow :
 Head :

Materials

Pump body	Cast iron 200 UNI ISO 185
Impeller	Technopolymer
Shaft with rotor	AISI 304 X5 Cr Ni 1810 UNI 6900/71
OR ring	NBR
Diffuser	Technopolymer
Mechanical seal	Carbon/Ceramic
Disc seal	AISI 304 X5 Cr Ni 1810 UNI 6900/71

Curve tolerance according to ISO 9906

Motor data

Motor brand :	DAB	
Nominal power P2 :	1 kW	
Rated speed :	2800 1/min	
Rated voltage :	1~ 220-240 V	50 Hz
Nominal current :	6,5 A	
Degree of protection :	IP 44	

Weight : 16,3 kg

Dimensions in mm

A	452	DNM	1"G	H	204		
B	175	E	235	H1	179		
C	149,5	F	13,5	H2	143,5		
DNA	1"G	G	111	IO	9		

Pump connection

 Suction side : 1 " G / 8 bar (800 kPa)
 Discharge side : 1 " G / 8 bar (800 kPa)



PERFORMANCE CURVES

2017-01-17

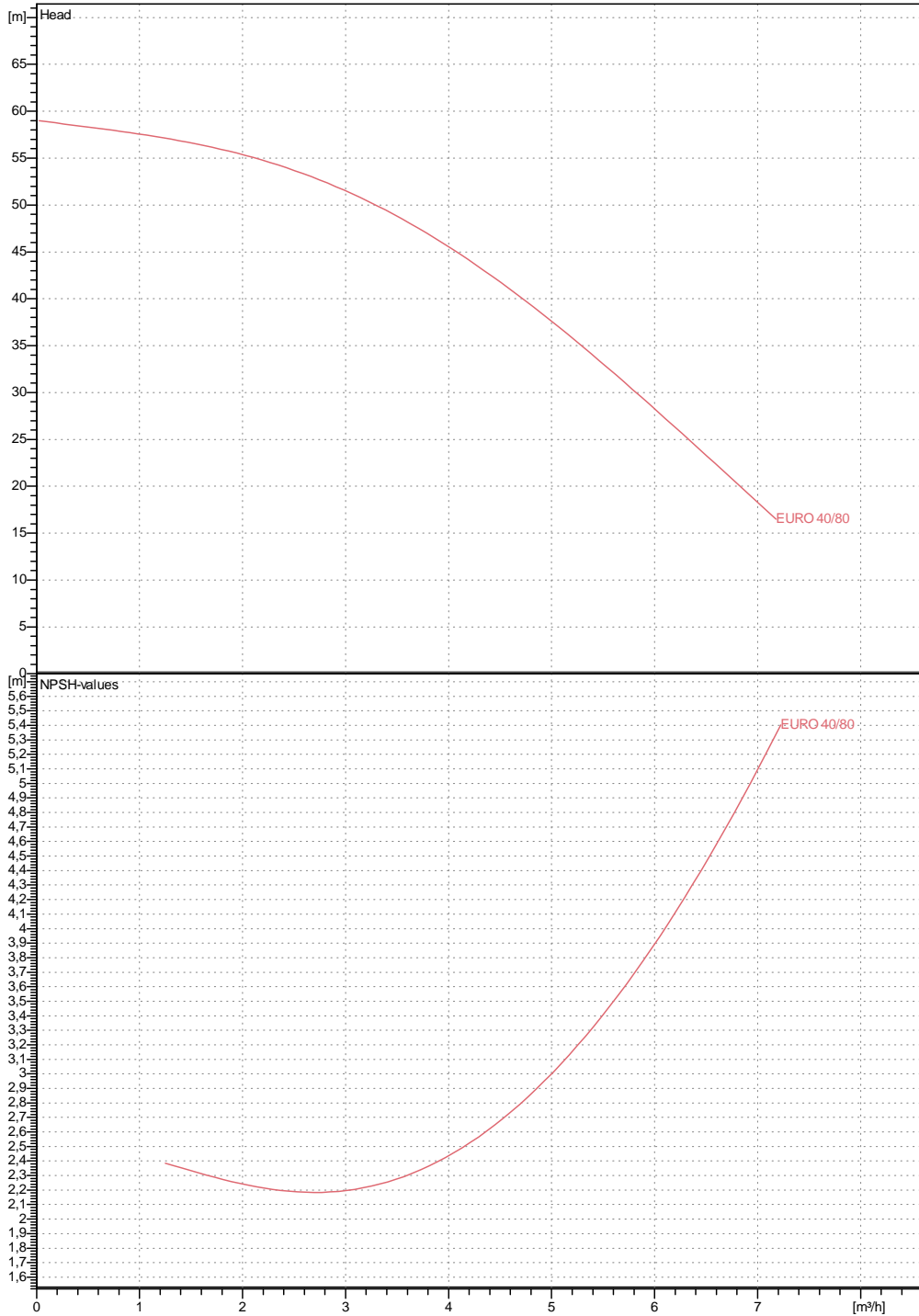
Page 2 / 3

DAB PUMPS S.p.A.
Via Marco Polo, 14 - 35035 Mestrino (PD), Italy
Tel. +39 049 5125000 - Fax +39 049 5125950
www.dabpumps.com

Society Reference Address Phone Fax E-mail	Receiver	From
		Profil LTD Karadzov , Angel 6th km,Pazardzhishko shose - - angel.karajov@profilbg.com

EURO 40/80 M

Curve tolerance according to ISO 9906



Hydraulic data (duty point)

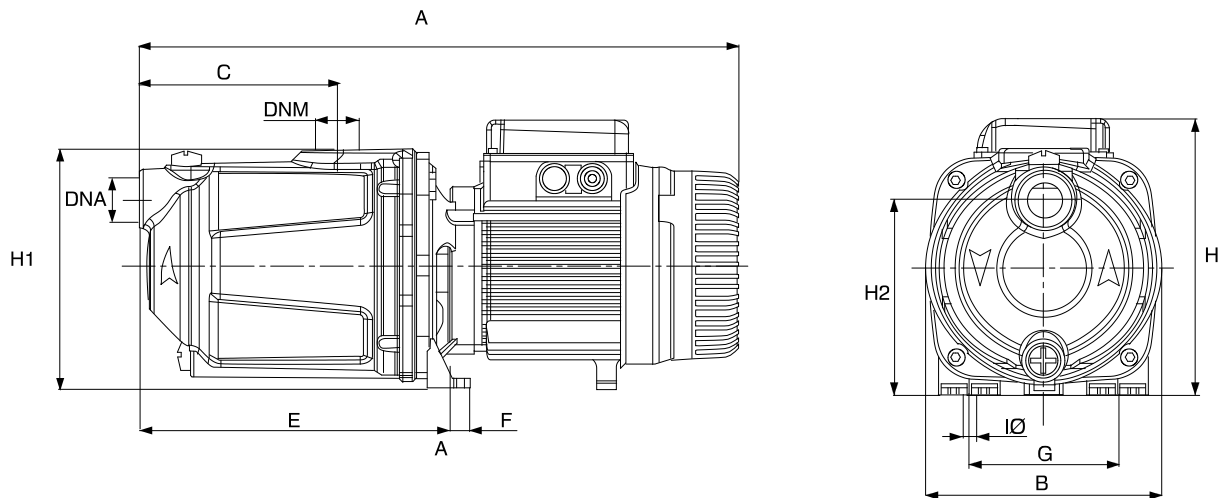
Suction side : 1 " G 8 bar (800 kPa)	Discharge side : 1 " G 8 bar (800 kPa)	Flow : 0 m³/h	Head : 0 m	Rated speed : 2800 1/min
Project	Project ID	Created by	Created on 2017-01-17	

Receiver
From

 Society
 Reference
 Address
 Phone
 Fax
 E-mail

 Profil LTD
 Karadzhev, Angel
 6th km, Pazardzhishko shose
 -
 -
 angel.karajov@profilbg.com

EURO 40/80 M


Dimensions in mm

1	A	452	H2	143,5	
2	B	175	I Ø	9	
3	C	149,5			
4	DNA	1"G			
5	DNM	1"G			
6	E	235			
7	F	13,5			
8	G	111			
9	H	204			
10	H1	179			

Pump connection

Suction
 1 " G
 8 bar (800 kPa)

Discharge
 1 " G
 8 bar (800 kPa)

Project

Project ID

Created by

Created on

2017-01-17