

Class 125 Iron Y-Strainer

Bolted bonnet • blow-off plug • flanged end • 20 mesh stainless steel screen or stainless steel perforated screen

2" - 12": 125 PSI/8.6 bar saturated steam to 353°F/178°C
200 PSI/13.8 bar non-shock cold working pressure

14" & 16": 100 PSI/6.9 bar saturated steam to 353°F/178°C
150 PSI/ 10.3 bar non-shock cold working pressure

CONFORMS TO ANSI B16.1 (FLANGE)

MATERIAL LIST

PART	SPECIFICATION
1. Body	Cast Iron ASTM A126 Class B
2. Bonnet	Cast Iron ASTM A126 Class B
3. Screen	Stainless Steel AISI 304
4. Bolt	Carbon Steel ASTM A307
5. Gasket	Metal-Filled Graphite
6. Plug	Cast Iron ASTM A126 Class B

DIMENSIONS—WEIGHTS

SIZE	Dimensions										Weight	
	A		B		C		D		E		Lbs.	Kg.
In. mm.	In. mm.	In. mm.	In. mm.	In. mm.	In. mm.	In. mm.	In. mm.	In. mm.	In. mm.			
2	50 7.87	199.9	5.25 133.4	1/2 15	6.0 152.4	2.00 50.8	18.00 457.2	2.00 50.8	18.00 457.2	18.00	8.16	
2½	65 10.00	254.0	6.50 165.1	1 25	7.0 177.8	2.50 63.5	28.00 711.2	2.50 63.5	28.00 711.2	28.00	12.70	
3	80 10.12	257.0	7.00 177.8	1 25	7.5 190.5	3.00 76.2	34.00 863.6	3.00 76.2	34.00 863.6	34.00	15.42	
4	100 12.12	307.8	8.25 209.6	1½ 40	9.0 228.6	4.00 101.6	60.00 1524.0	4.00 101.6	60.00 1524.0	60.00	27.22	
5	125 15.62	396.7	11.25 285.8	2 50	10.0 254.0	5.00 127.0	95.00 2413.0	5.00 127.0	95.00 2413.0	95.00	43.09	
6	150 18.50	469.9	13.50 342.9	2 50	11.0 279.4	6.00 152.4	133.00 3378.0	6.00 152.4	133.00 3378.0	133.00	60.33	
8	200 21.62	549.1	15.50 393.7	2 50	13.5 342.9	8.00 203.2	247.00 6248.0	8.00 203.2	247.00 6248.0	247.00	112.04	
10	250 26.00	660.4	18.50 469.9	2 50	16.0 406.4	10.00 254.0	320.00 8128.0	10.00 254.0	320.00 8128.0	320.00	145.15	
12	300 29.87	758.7	21.75 552.5	2 50	19.0 482.6	12.00 304.8	579.00 14698.0	12.00 304.8	579.00 14698.0	579.00	262.63	
14*	350 33.25	844.6	26.06 662.0	2 50	21.0 533.4	14.00 355.6	772.00 19608.0	14.00 355.6	772.00 19608.0	772.00	350.17	
16*	400 38.75	984.3	30.15 765.8	2 50	23.5 596.9	16.00 406.4	1133.00 28808.0	16.00 406.4	1133.00 28808.0	1133.00	513.92	

*Sizes 14" and 16" rated to 150 CWP, 100 SWP

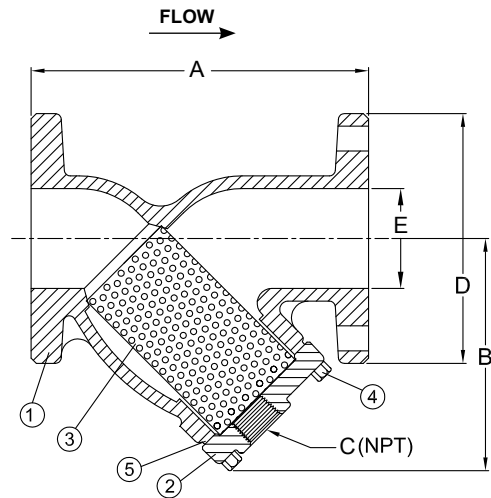
FLOW COEFFICIENTS

SIZE	C _v	SIZE	C _v
2"	68	8"	925
2½"	125	10"	1692
3"	162	12"	2260
4"	273	14"	3200
5"	382	16"	4950
6"	557		

NOTE: 2" - 12": 125 psi saturated steam to 353°F/178°C and 200 psi CWP
14" and 16": 100 psi saturated steam to 85°F/150 psi CWP



F-721-A
Flanged



F-721-A
Flanged

NOTE: strainer drain plugs are installed hand tight only allowing easy removal for installation of manual drain valve. If manual drain valves are not used, installer must tighten drain plug for proper seal.

SCREEN SIZE:

2" - 4": 1/16" perforation (37% open area)
5" - 16": 1/8" perforation (40% open area)