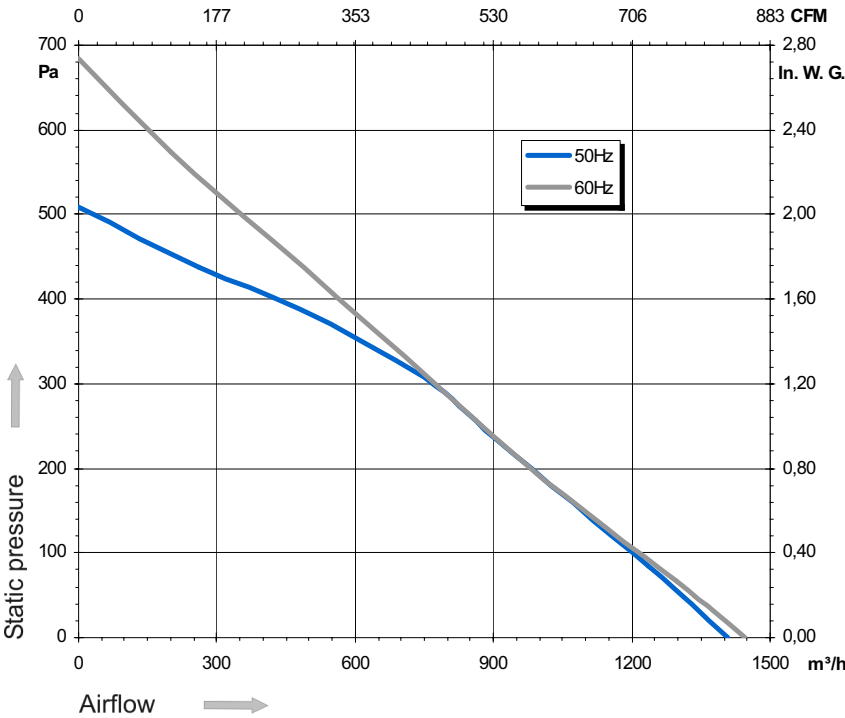
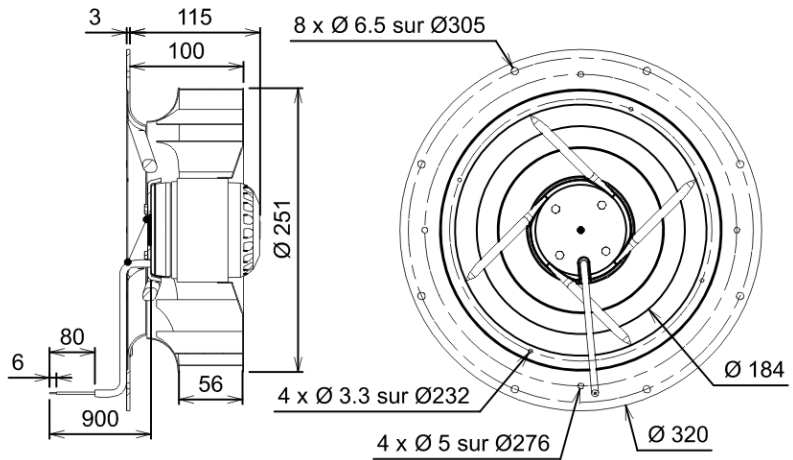
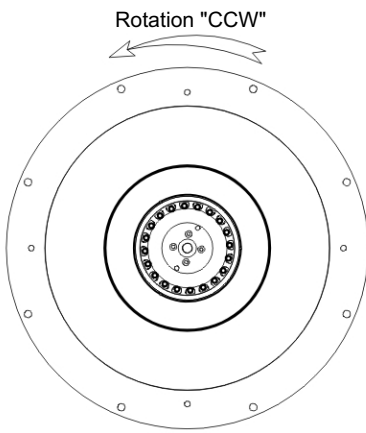


Ind. 0 - Revision : 12-2003

## 2RRE45 250x56R P/N C36-A6

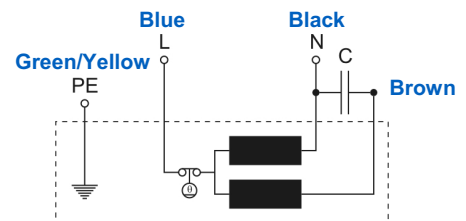


Voltage	Frequency	Input power	Current	Capacitor	Airflow	Speed rotation	Noise level	Rotation direction	Operating temperature
V	Hz	Wa	A	µF	m³/h	RPM	dBA	↻	Min / Max
230	50	219	0,97	6,0	1 410	2 570	77	L	-20°C / +70°C
230	60	300	1,34	6,0	1 445	2 645	80	L	-20°C / +70°C



- Ball bearing
- Class F, thermally protected
- IP44 protection
- G2.5 balancing
- Galvanized steel impeller
- Rotor : black paint
- Black painted aluminium reversed-inletcone

Capacitor for 50Hz	Capacitor for 60Hz	Zinc Coated
19016-0	19016-0	21360-0



Non contractual document. All specifications are subject to change without prior notice. Picture for information only.