

BRUSHLESS MOTOR 115 FM

Unimotor FM 115U3D300CACAA115240



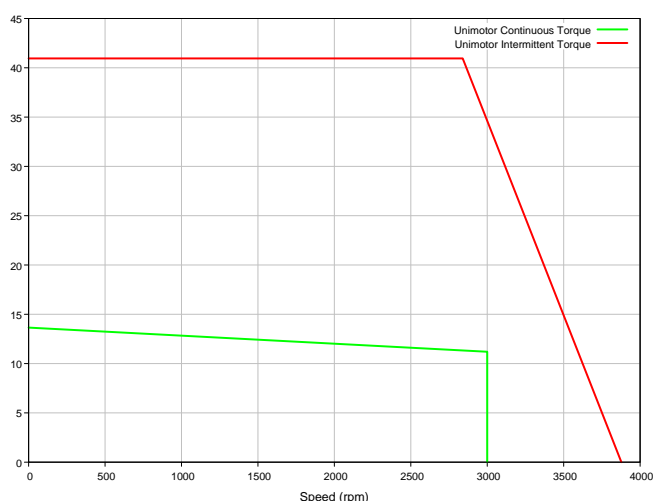
Definition

Type	Unimotor FM	
Frame Size (mm)	115	
Voltage	U	U - 400V
Magnet type	3	3 - Standard
Frame Length	D	
Speed (min-1)	30	3000
Brake	0	0 - Not fitted
Connection type	C	C - Power 90° rotatable and Signal vertical
Output shaft	A	A - Key
Feedback device code	CA	CA - 4096 ppr Incremental encoder
Inertia	A	A - Standard + PTC thermistor
PCD	115	115 (FF 115 / 95)
Shaft Diameter	240	24j6 x 50 .
Fan box	-	
Insulation class	F	

Nominal characteristics

Motor Ambient Temperature (°C)	40	Drive Fsw (kHz)	12
Motor Stall Torque (N.m)	13.65	Stall Current (A)	8.50
Rated Torque (N.m)	11.20	Nominal Current (A)	7
Motor Peak Torque (N.m)	40.95	I max (A)	25.59
Rated Power (kW)	3.52	Kt (Nm/A)	1.60000
Winding Thermal Time Constant (s)	127	Ke (V/kmin-1)	98.00
Number of Poles	6	R (ph-ph) (Ohm)	1.53
Maximum Cogging (N.m)	0.18	L (ph-ph) (mH)	11.60
Inertia (kg.cm ²)	12.50	Weight (kg)	13.50
Ingress Protection Level (IP)	IP65		

Torque / speed graph



Version V1.210

© Emerson 2014. The information contained in this data-sheet is for guidance only and does not form part of any contract. The accuracy cannot be guaranteed as Emerson have an ongoing process of development and reserve the right to change the specification of their products without notice.

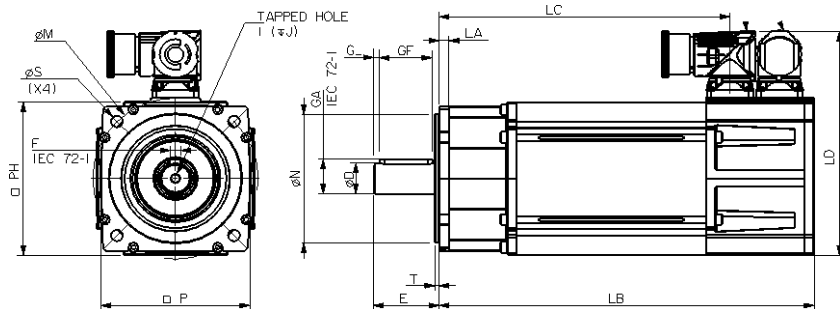
Control Techniques Limited. Registered Office: The Gro, Newtown, Powys SY16 3BE. Registered in England and Wales. Company Reg. No. 01236886.

Moteurs Leroy-Somer SAS. Headquarters: Bd Marcellin Leroy, CS 10015, 16915 Angoulême Cedex 9, France. Share Capital: 65 800 512 €, RCS Angoulême 338 567 258.

Data sheet

BRUSHLESS MOTOR 115 FM
Unimotor FM 115U3D300CACAA115240

Motor
(° & mm)

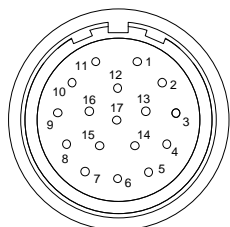


LB	Motor Length LB (mm)	336.6
LC	Connectors Position LC (mm)	283.80
D	Shaft Diameter D (mm)	24j6
E	Shaft Length E (mm)	50
GA	Key Height GA (mm)	27
GF	Key Length GF (mm)	40
G	Key to Shaft End G (mm)	4.60
F	Key Width F (mm)	8
I	Tapped Hole Thread Size I (mm)	M8x1,2
J	Tapped Hole Depth J (mm)	5
J	Tapped Hole Depth J (mm)	20.00
LA	Flange Thickness LA (mm)	10.10
T	Register Length T (mm)	2.80
N	Register Diameter N (mm)	95.00
LD	Overall Height LD (mm)	157.00
P	Flange Square P (mm)	105.00
S	Fixing Hole Diameter S (mm)	10.00
M	Fixing Hole PCD M (mm)	115
PH	Motor Housing Width PH (mm)	115
LH	Terminal Box Width LH (mm)	0.00
W	Fan Box Overall Height W (mm)	0.00
X	Fan Box Housing Width X (mm)	0.00
LB1	Total Length LB1 (mm)	0.00
LJ	Terminal Box Position LJ (mm)	0.00
	Mounting Bolt (mm)	M8

Motor electrical interface

Feedback device code : CA - 4096 ppr Incremental encoder

Connection type : C - Power 90° rotatable and Signal vertical



- | | |
|---------|------------|
| 1 - CTP | 10 - A |
| 2 - CTP | 11 - Z |
| 3 - - | 12 - Z/ |
| 4 - U | 13 - A/ |
| 5 - U/ | 14 - B |
| 6 - V | 15 - B/ |
| 7 - V/ | 16 - Power |
| 8 - W | 17 - 0V |
| 9 - W/ | Screen |

