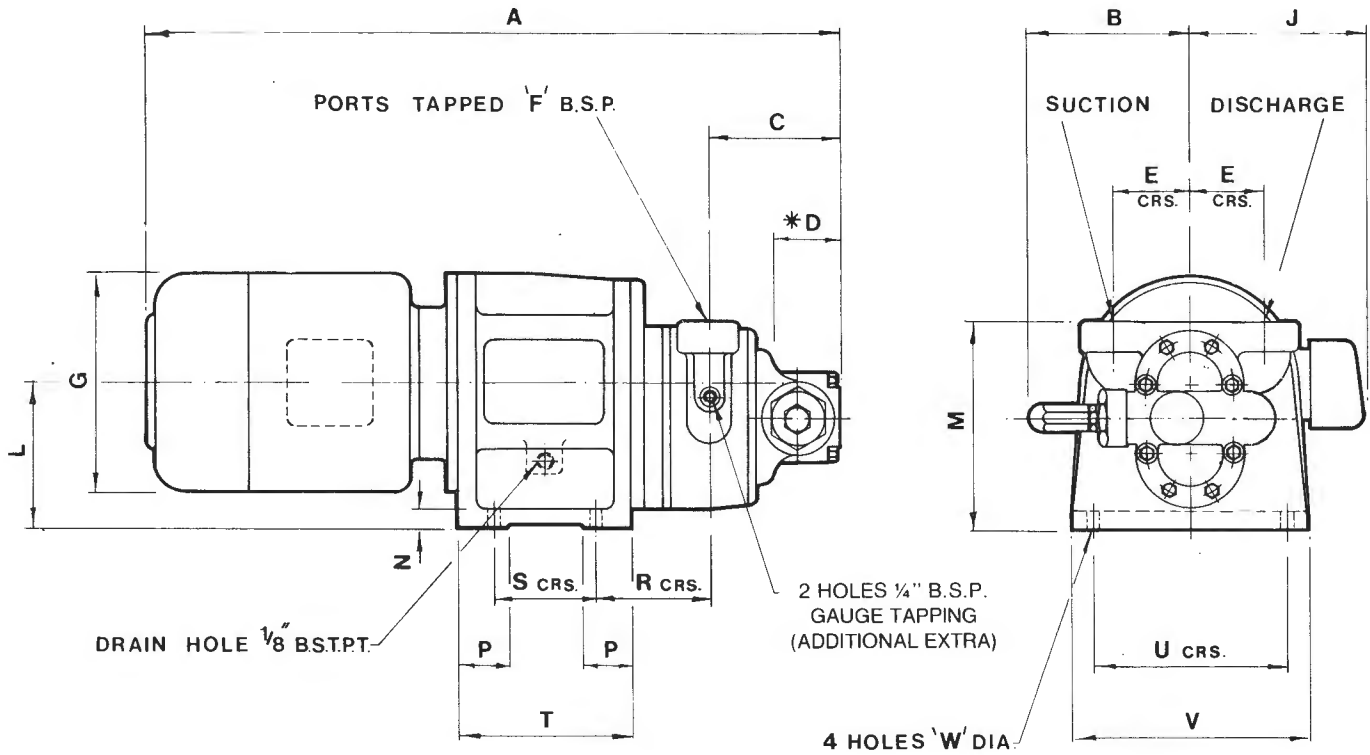


Dimension Drawings

Horizontal Motorised Pump Sizes 1-2M



* WHEN BY PASS IS NOT FITTED SUBTRACT DIMENSION 'D'

ALL MOTOR DIMENSIONS BASED ON B.C.P. MOTORS

ALL DIMENSIONS IN MILLIMETRES UNLESS STATED OTHERWISE

Nomenclature	A	B	C	D	E	F	G	J	L	M	N	P	R	S	T	U	V	W	Wt Kg
1M½T8R	538	↑	↑	↑	↑	↑	181	140	↑	↑	↑	↑	↑	↑	↑	↑	↑	↑	32
1M¾T8R	563	↑	↑	↑	↑	↑	181	140	↑	↑	↑	↑	↑	↑	↑	↑	↑	↑	34
1M¼T6R	464						152	92											22
1M½T6R	515						164	132											27.5
1M¾T6R	515		70			½" BSP	164	132					70						27.5
1M1T6R	515						164	132											27.5
1M½T4R	464						152	92											22
1M¾T4R	515						164	132											27.5
1M1T4R	515						164	132											27.5
1M½T4R	538		↓			↓	181	140					↓						32
2M½T8R	549	83	↑	33	46	↑	181	140	105	143	12	45	↑	80	140	130	170	11	32
2M¾T8R	574		↑			↑	181	140											34
2M½T6R	526						164	132											27.5
2M¾T6R	526						164	132											27.5
2M1T6R	549						181	140											32
2M1½T6R	574		76			¾" BSP	181	140					76						34
2M½T4R	475						152	92											22
2M¾T4R	526						164	132											27.5
2M1T4R	526						164	132											27.5
2M1½T4R	549						181	140											32
2M2T4R	574	↓	↓	↓	↓	↓	181	140	↓	↓	↓	↓	↓	↓	↓	↓	↓	↓	34